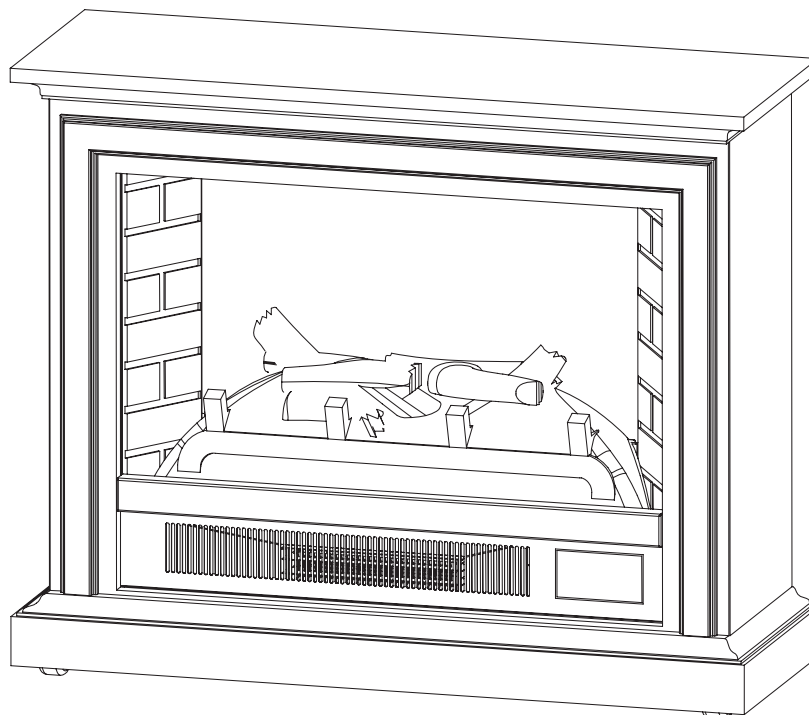


COMPACT MOBILE FIREPLACE

MODEL #GLF-5002-50 / GLF-5002-68
GLF-5002-75 / GLF-5002-205

Español p. 17

Français p. 33



IMPORTANT INSTRUCTIONS

PLEASE READ THIS MANUAL BEFORE INSTALLING AND USING APPLIANCE

WARNING!

IF THE INFORMATION IN THIS MANUALS IS NOT FOLLOWED EXACTLY,
AN ELECTRICAL SHOCK OR FIRE MAY RESULT
CAUSING PROPERTY DAMAGE, PERSONAL INJURY OR LOSS OF LIFE.

INSTALLER: Leave this manual with the appliance.
CONSUMER: Retain this manual for future reference.

ATTACH YOUR RECEIPT HERE

Serial Number _____ Purchase Date _____



Questions, problems, missing parts?

Before returning to your retailer, call our customer service department at 1-877-447-4768,
8:30 a.m. – 8:00 p.m. CST, Monday – Friday.

TABLE OF CONTENTS

Safety Information.....	3
Package Contents	6
Hardware Contents	6
Fireplace Dimensions.....	7
Safety Information.....	8
Preparation.....	8
Assembly Instructions	8
Operating Instructions	10
Care and Maintenance	12
Electric Wiring Diagram	13
Troubleshooting	14
Warranty.....	15
Replacement Parts.....	16



IMPORTANT: Read all instructions and warnings carefully before starting installation. Failure to follow these instructions may result in a possible electric shock, injury to persons, fire hazard and will void the warranty.


Please read the Installation & Operating Instructions before using this appliance.

CAUTION

PRODUCT DAMAGE MAY OCCUR.

Never attempt to disassemble or alter the product in any way not instructed by this manual.

Please read and understand this entire manual before attempting to assemble, operate or install the product.

1. Read all instructions before using this appliance.
2. This appliance is hot when in use. To avoid burns, do not let bare skin touch hot surfaces. If provided, use handles when moving this appliance. Keep combustible materials, such as furniture, pillows, bedding, papers, clothes and curtains at least 3 ft. (914 mm) from the front of this appliance and keep them away from the sides and rear.
3.  **CAUTION: Extreme caution is necessary when any heater is used by or near children or invalids and whenever the heater is left operating unattended.**
4. If possible always unplug this appliance when not in use.
5. Do not operate any heater with a damaged cord or plug or after the appliance malfunctions, has been dropped or damaged in any manner.
6. Any repairs to this appliance should be carried out by a qualified service person.
7. Under no circumstances should this appliance be modified. Parts having to be removed for servicing must be replaced prior to operating this appliance again.
8. Do not use outdoors.
9. This heater is not intended for use in bathrooms, laundry areas and similar indoor locations. Never place this appliance where it may fall into a bathtub or other water container.
10. Do not use this heater in elevated locations, such as on shelves, raised platforms, etc.
11. Do not run cord under carpeting. Do not cover cord with throw rugs, runners or the like. Arrange cord away from traffic areas and where it will not be tripped over.
12. To disconnect this appliance, turn controls to the off position, then remove plug from outlet.
13. Connect to properly grounded outlets only.
14. This appliance, when installed, must be electrically grounded in accordance with local codes, with the current CSA C22.1 Canadian Electrical codes or for USA installations, follow local codes and the National Electric Code, ANSI/NFPA No. 70.
15. Do not insert or allow foreign objects to enter any ventilation or exhaust opening as this may cause an electric shock, fire or damage to the appliance.
16. To prevent possible fire, do not block air intakes or exhaust in any manner. Do not use on soft surfaces, like a bed, where openings may become blocked.
17. This appliance has hot and arcing or sparking parts inside. Do not use it in areas where gasoline, paint or flammable liquids are used or stored. This appliance should not be used as a drying rack for clothing, nor should Christmas stockings or decorations be hung on or near it.
18. Use this appliance only as described in this manual. Any other use not recommended by the manufacturer may cause fire, electric shock or injury to persons.
19. Always plug heaters directly into a wall outlet/receptacle. Never use with an extension cord or relocatable power tap (outlet/power strip) because of the risk of overheating the cord and the risk of fire. Extension cords are for temporary use only. If an extension cord must be used, it must be UL/CSA certified, rated at 15A (1,875W), 125V maximum with 14 AWG minimum and constructed of two current carrying conductors with ground. A heavy duty extension cord with the shortest length possible for the connection is recommended and must not be longer than 50 ft. (15.2 m). Do not coil or cover the extension cord.
20. Do not use this heater with missing, damaged, or broken wheels.
21. "SAVE THESE INSTRUCTIONS"

! DANGER



Electrical Connection

A 15 Amp, 120 Volt, 60 Hz circuit with a properly grounded outlet is required. Preferably, the item will be on a dedicated circuit as other appliances on the same circuit may cause the circuit breaker to trip or the fuse to blow when the heater is in operation. The unit comes standard with a 6 ft. (1.8 m) long, three-wire cord, exiting the right side of the item. Always plug the unit into a wall outlet/receptacle. An extension cord or re-locatable power tap, (outlet/power strip), should never be used.



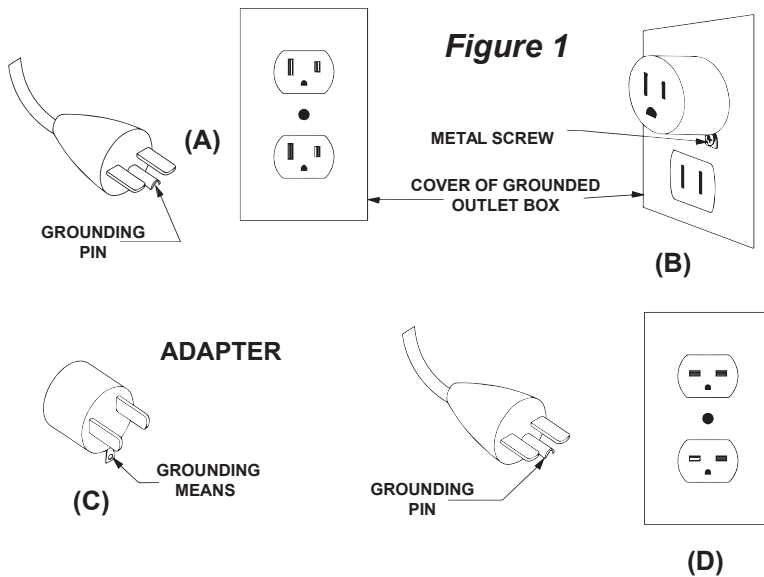
Electrical outlet wiring must comply with local building codes and other applicable regulations to reduce the risk of fire, electrical shock and injury to persons.



Do not use this item if any part of it has been under water. Immediately call a qualified service technician to inspect the item and replace any part of the electrical system which has been under water.

Grounding Instructions

This heater is for use on 120 volts. The cord has a plug as shown at (A) in figure 1. An adaptor as shown at (C) is available for connecting three-blade grounding-type plugs to two-slot receptacles. The green grounding lug extending from the adaptor must be connected to a permanent ground such as a properly grounded outlet box. The adaptor should not be used if a three-slot grounded receptacle is available



NOTE: Adaptors are NOT for use in Canada.

SAFETY INFORMATION

REMOTE CONTROL

This Class (B) device complies with Part 15 of the FCC Rules and Canadian ICES-003. Operation is subject to the following two conditions:

(1) This device may not cause harmful interference, and (2) this device must accept any interference received, including interference that may cause undesired operation. There is no guarantee that interference will not occur in a particular installation. If this equipment does cause harmful interference to radio or television reception, which can be determined by turning the equipment on and off, the user is encouraged to try to correct the interference by one or more of the following measures:

- Reorient or relocate the receiving antenna.
- Increase the separation between the equipment and receiver.
- Connect the equipment into an outlet on a circuit different from that to which the receiver is connected.
- Consult the dealer or an experienced radio/TV technician for help.

This remote control requires 1 Lithium Coin Cell Battery (size CR2025), which is included.

CAUTION: Changes or modifications to this unit not expressly approved by the party responsible for compliance could void the user's authority to operate the equipment.

WARNING

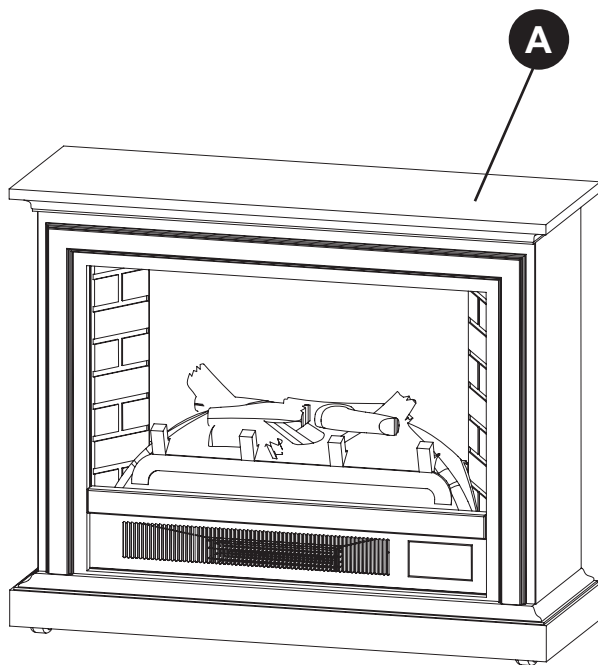
DO NOT mix old and new batteries.

DO NOT use rechargeable silver oxide cell batteries with remote control unit.

DO NOT mix alkaline, standard (Carbon-Zinc), or rechargeable (Nickel-Cadmium) batteries.

DO NOT dispose of batteries in fire. Improper disposal may cause batteries to leak or explode.

PACKAGE CONTENTS



PART	DESCRIPTION	Quantity
A	Mantel (with fireplace insert)	1

HARDWARE CONTENTS

AA



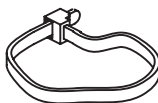
Mounting
Bracket
Qty. 2

BB



1-3/8"
Screw
Qty. 2

CC



Nylon
Strap
Qty. 1

DD



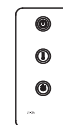
Wall
Anchor
Qty. 2

EE



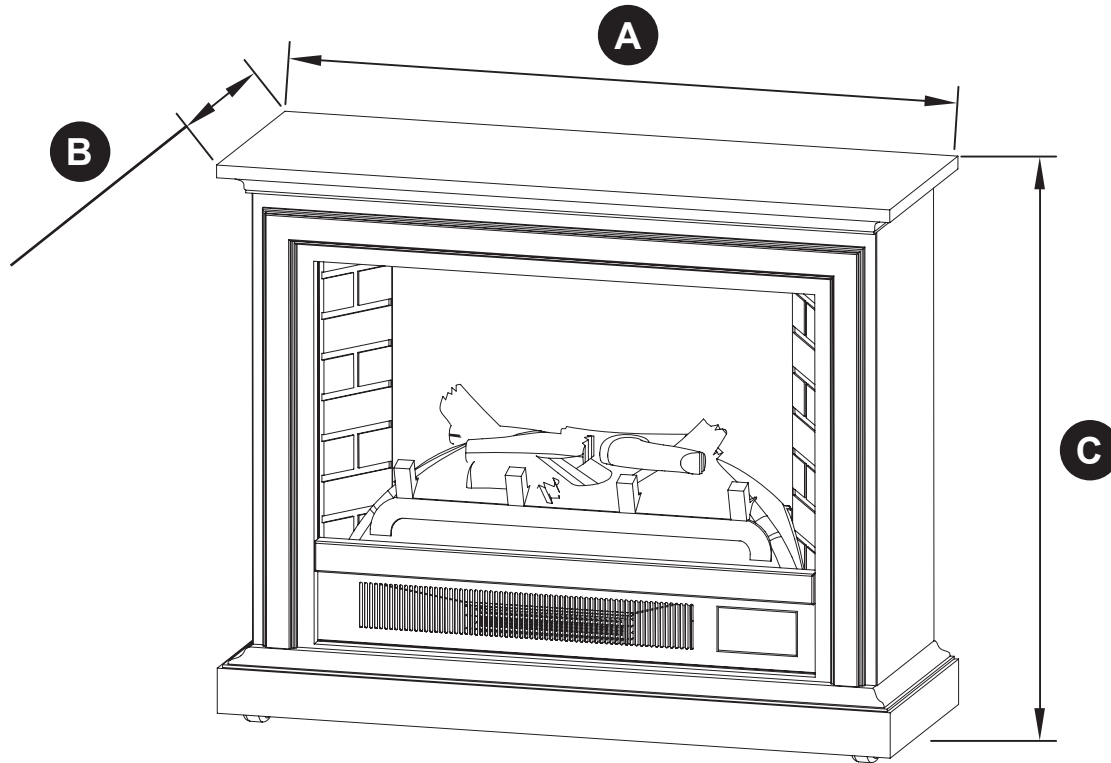
5/8"
Screw
Qty. 2

FF



Remote
Control
Qty. 1

FIREPLACE DIMENSIONS



Ref.	GLF-5002-68/GLF-5002-50 GLF-5002-75/GLF-5002-205
A	31.75 in. (806 mm)
B	12.375 in. (313 mm)
C	27.25 in. (792 mm)

TECHNICAL SPECIFICATIONS	
VOLTAGE	120V Ac
FREQUENCY	60HZ
AMPS	12.5A
HEATER RATING	1350W

SAFETY INFORMATION

Please read and understand this entire manual before attempting to assemble, operate or install the product. If you have any questions regarding the product, please call customer service at 1-877-447-4768, 8:30 a.m. - 4:30 p.m., CST, Monday - Friday.

CLEARANCE TO COMBUSTIBLES	
Sides	2 27/64 (61.5 mm)
Floor	0 in. (0 mm)
Top	20 in. (508 mm)
Front	36 in. (914 mm)
Rear	0 in. (0 mm)

 **Warning:** Do not install unit on shelves, raised platforms, beds, blankets, pillows etc. Keep combustible materials such as furniture, bedding, papers, clothes and curtains at least 3 feet (914 mm) from the stove.

PREPARATION

Before beginning assembly of product, make sure all parts are present. Compare parts with package contents list and hardware contents above. If any part is missing or damaged, do not attempt to assemble the product. Contact customer service for replacement parts.

Estimated Assembly Time: 20 minutes

Tools Required for Assembly (not included): Phillips screwdriver

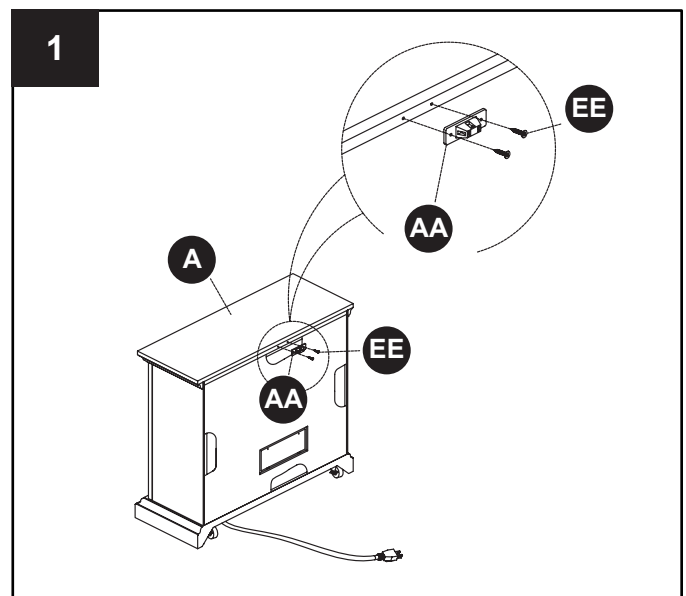


ASSEMBLY INSTRUCTIONS

Carefully remove all pieces from carton and make sure that you have all parts listed (refer to parts list on page 5). **If you are missing parts, please call customer service at 1-877-447-4768**

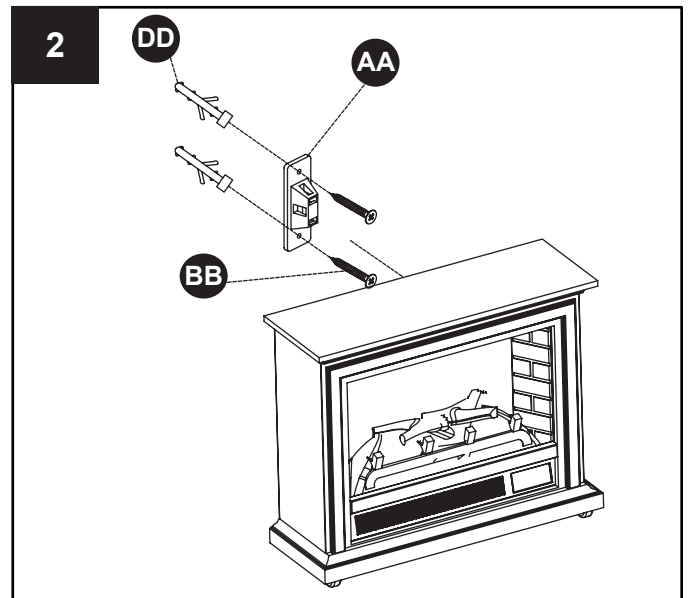
NOTE: To avoid scratching the finish, assemble the product on a soft, non-abrasive surface, such as carpet or cardboard.

1. Attach a mounting bracket (AA) to the top edge of the back of the mantel (A) by inserting two screws (EE) through the mounting bracket (AA) and into the pre-drilled holes in the mantel (A). Tighten with a screwdriver.

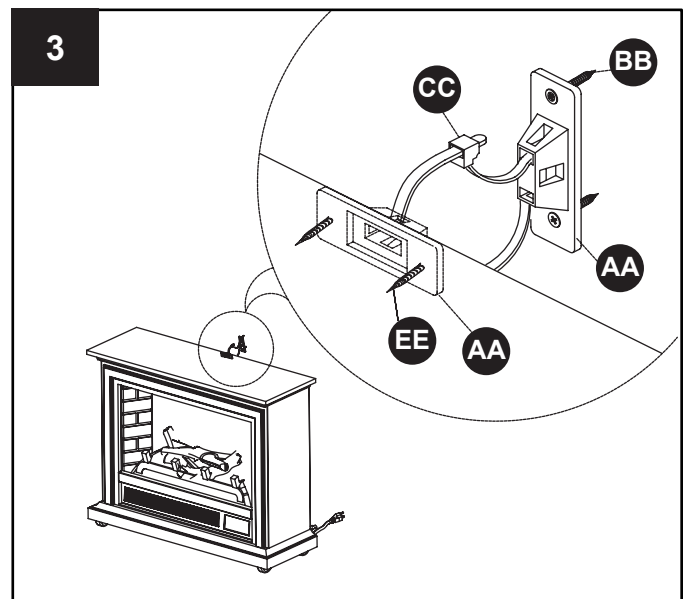


ASSEMBLY INSTRUCTIONS

2. Attach a mounting bracket (AA) to the wall in the location you have selected to put the mantel (A) by positioning the mounting bracket AA) at approximately the same height as the mounting bracket (AA) previously attached to the mantel (A). Insert screws (BB) through the mounting bracket (AA) and into a wall stud. If there is no stud present, insert wall anchors (DD) before inserting the screws (BB). Tighten with a screwdriver.



3. Set the mantel (A) 2-3 inches from the wall with both mounting brackets (AA) aligned. Slip the nylon strap (CC) through the openings in each of the mounting brackets (AA) and secure the nylon strap (CC). This will help prevent the mantel from tipping.



DANGER: This product is only a deterrent. It is not a substitute for proper adult supervision.

OPERATING INSTRUCTIONS

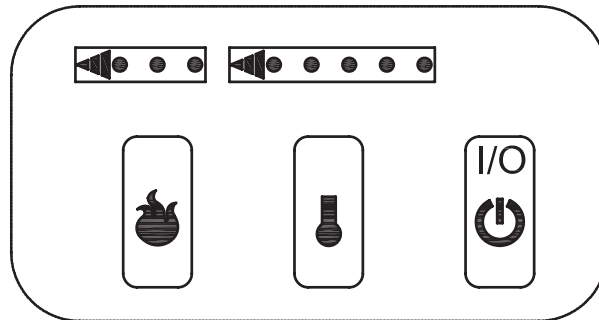
Read All Instructions Before Use

Check that the heater outlet grill is not covered or obstructed in anyway, and make sure the power to the unit is switched on.

NOTE: When the heat function is used for the first time, a slight odor may be present. This is normal and should not occur again unless the heater is not used for an extended period of time.

Control Panel

The control panel is located on the front of the fireplace.



Main Power Button:

This button supplies power to all the functions of the log set. The main power button must be in the ON position, either from the remote or controls on the log set for the functions to work.

Heater Control Button:

This button controls the heater **ON/OFF** and 5 temperature modes from Low to High. When the heater is first turned on, it will come on at the lowest temperature setting. The log set will remember the last heat setting and in later use the heater will start at that setting, unless power to the unit has been interrupted. Each time the temperature button is pressed, the temperature set point increases, allowing you to adjust the ambient temperature.

Heater Locking Function:

When fireplace is **ON**, press the main power button for 10 seconds. The heater will be locked, and the heater control button on the control panel as well as on the remote control will be disabled. Before the heater is locked, the flame will flash 6 times. To unlock the heater, press the main power button for 10 seconds. Before the heater is unlocked, the flame will flash 6 time.

Flame Control Button:

This button controls the brightness of the flame effect with settings at High, Medium, and Low. When the electric fireplace is first turned on, the flame will come on at the highest setting. The log set will remember the last flame setting used and in later use the flame brightness will start at that setting, unless power to the unit has been interrupted. Each time the flame button is pressed, the flame brightness decreases. The only way to turn off the flame effect completely is to turn off the main power button.

NOTE: After the fireplace has been operating, when the unit is turned off, the fan (not the heater) will continue to run for about 1 minute to cool down the interior of the unit. During this time, you may feel cool air from the blower outlet. This is normal and does not require any action. The fan will stop once the interior cools down.

OPERATING INSTRUCTIONS

The infrared remote control relies on a line of sight and must be pointed at the controls of the log set to work. The remote control unit has the controls required to turn ON/OFF both the main power and the heater. If you prefer to use the control buttons on the log set unit itself, they are on the lower right corner of the unit. The layout of the buttons and remote control unit can be seen in Figures 2 and 3, respectively.

Plug your log set into a 15-amp, 120-volt power outlet.

1. Turn the power on. Flame will show on the wall behind the log set.
2. Remove the plastic tab from inside the battery compartment to activate the remote control.
3. Point the remote control directly at the control buttons of the log set and use the buttons to operate the log set.

Main Power Button (1):

This button supplies power to all the functions of the electric fireplace. The main power button must be in the ON position, either from the remote or the controls on the electric fireplace for the functions to work.

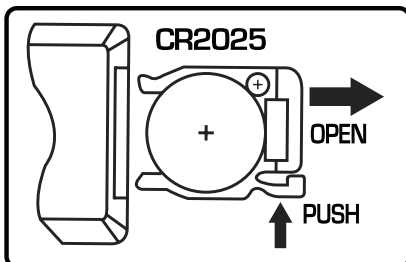
Heater Control Button (2):

This button controls the heater ON/OFF and 5 temperature modes from Low to High. When the heater is first turned on, the heater will come on at the lowest room temperature setting. The log set will remember the last heat setting. In later use, the heater will start at that setting, unless power to the unit has been interrupted. Each time this button is pressed, the temperature set point increases, allowing you to adjust the ambient temperature.

Flame Control Button (3):

This button controls the brightness of the flame effect with settings at High, Medium and Low. When the log set is first turned on, the flame will come on at the highest setting. The log set will remember the last flame setting used. In later use, the flame brightness will start at that setting, unless power to the unit has been interrupted. Each time the Flame button is pressed, the flame brightness decreases. The only way to turn off the flame effect completely is to turn off the Main Power button.

Battery Replacement Procedure: (Size CR2025)



▼ RELEASE

The plastic tab inside the battery compartment **MUST** be removed before the remote control will operate.

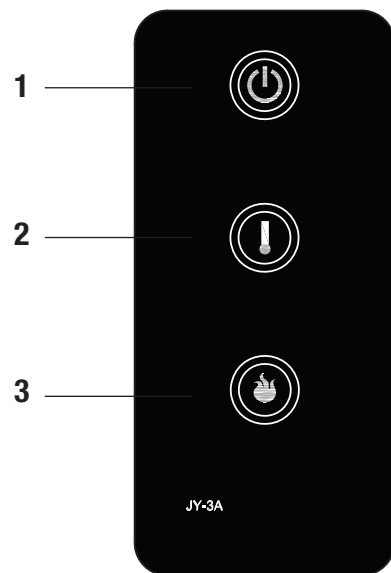
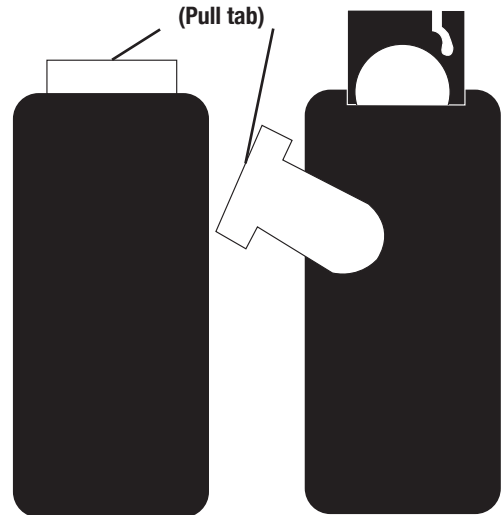


Figure 3



IMPORTANT: Under normal operation, when power is interrupted from either an outage or from unplugging unit from wall while still in operation, the heat level indicator lights may blink repeatedly and the unit will cease operation. In order to reset the unit, unplug for 10 minutes, then plug back in and operate normally in accordance with the Use and Care Guide.

CARE & MAINTENANCE

Cleaning

Always turn the heater OFF and unplug the power cord from the outlet before cleaning. Use a vacuum or duster to remove dust and dirt from the heater and vent areas. To maintain the finish, clean with a soft, slightly damp cloth and buff with a dry cloth. Never use abrasive cleansers, liquid sprays, or any cleaner that could scratch the surface.

Never drag the unit across a floor. The added stress from dragging the unit may cause the legs to break.

Glass Information (some models)

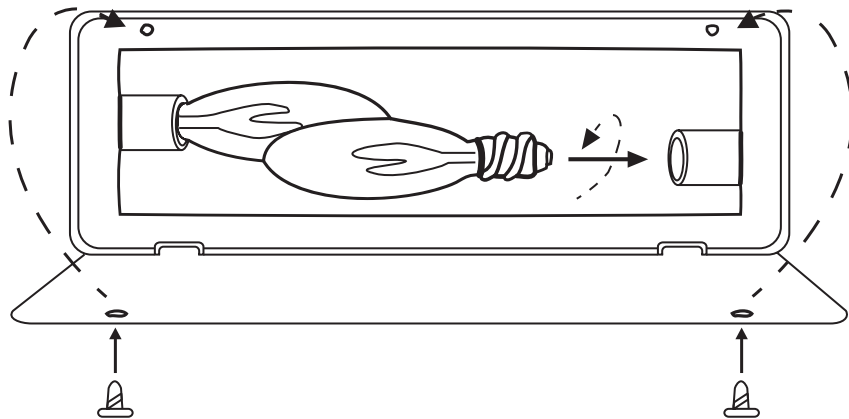
1. Under no circumstances should this product be operated with broken glass.
2. Do not strike or slam the glass.
3. Do not use abrasive cleaners to clean the glass.
4. This product uses tempered glass. Replacement of the glass supplied by the manufacturer should be done by a qualified service person.

Light Bulb Inspection and Replacement

The flame effect is created by two 40-Watt light bulbs with an E-12 (small) socket base. Use only this type of light bulb. If the flame effect does not work, the bulbs may have come loose or been damaged during shipping.

⚠ WARNING: Light bulbs become very hot during use. Allow at least 10 minutes for the bulbs to cool before touching.

To inspect or replace the bulbs, first unplug the power cord from the outlet. Locate the access panel on the back of the stove. Remove the screws and the panel. Check the bulbs to be sure they are finger tight and in working order. Replace any damaged or faulty bulbs. Reattach the access panel. Do not operate this heater without the access panel in place. Do not remove the back cover of this heater. There are no serviceable parts inside.



⚠ WARNING: Do not exceed 40 watts per bulb. Use of higher rated bulbs may result in a fire, causing property damage or personal injury.

Maintenance of Motors

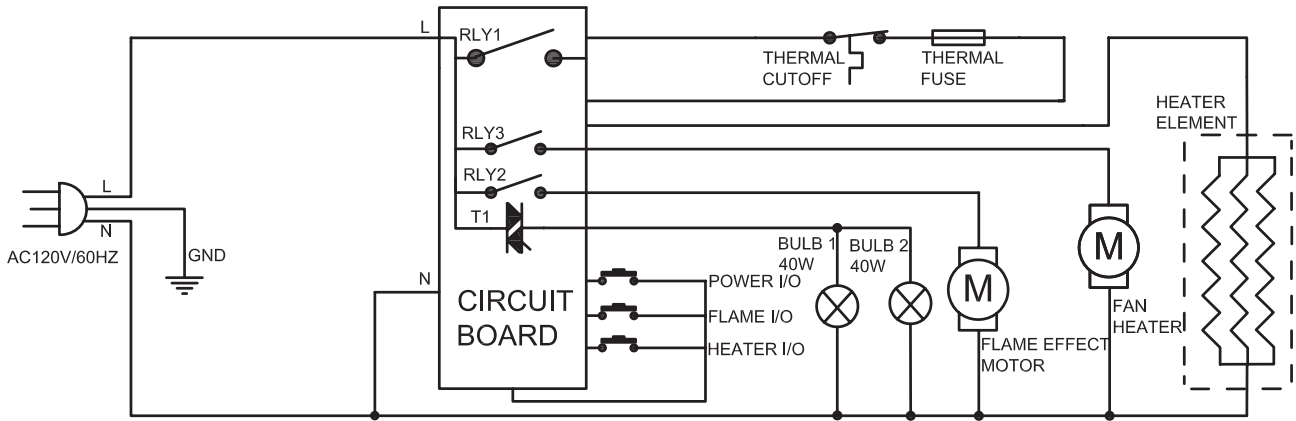
⚠ WARNING: Always disconnect the appliance from the main power supply and allow it to cool before any servicing operation.

The motors used on the fan heater and flame effect are pre-lubricated for extended bearing life and require no further lubrication. However, periodic cleaning/vacuumping of the appliance around the air intake and exhaust, as well as the fan heater is recommended. For heavy or continuous use, periodic cleaning must be done more frequently. If the heater blows alternating cold and warm air, check the fan for free movement and for debris restricting air flow. If the fan does not move freely, the unit must be turned off and the fan replaced immediately in order to prevent further damage to the unit.

ELECTRIC WIRING DIAGRAM

Any electrical repairs or rewiring of this unit should be carried out by a licensed electrician in accordance with national and local codes.

CIRCUIT DIAGRAM



WARNING: DISCONNECT POWER BEFORE SERVICING.

DANGER



Disconnect power before servicing.



Any electrical re-wiring of this appliance must be done by a qualified electrician. This wiring must be done in accordance with local codes and/or in Canada with the current CSA C22.1 Canadian Electrical Code, and for US installations, the National Electrical Code ANSI/NFPA No. 70.



If repairing or replacing any electrical component or wiring, the original wire routing, color coding and securing locations must be followed.

TROUBLESHOOTING

If you have any questions regarding the product, please call customer service at 1-877-447-4768, 8:30 a.m. – 4:30 p.m. CST, Monday – Friday.

PROBLEM	POSSIBLE CAUSE	CORRECTIVE ACTION
Heater does not operate.	<ol style="list-style-type: none"> 1. The heater is not plugged in. 2. A circuit breaker is tripped or a fuse blown. 3. Defective ON/OFF switch. 4. Loose wiring. 	<ol style="list-style-type: none"> 1. Make sure the heater is plugged in to a standard 120V outlet. 2. Check additional appliances on the circuit; ideally the heater should be on a dedicated 15 Amp circuit. 3. Call customer service. 4. Call customer service.
Power light is ON but the flame effect is not visible.	<ol style="list-style-type: none"> 1. Incorrect operation. 2. Loose light bulb(s). 3. Burnt out light bulb(s). 	<ol style="list-style-type: none"> 1. Refer to operating instructions. 2. Tighten light bulb(s). 3. Replace light bulb(s).
Heater is not operating.	<ol style="list-style-type: none"> 1. Incorrect operation. 2. Defective heater switch. 3. Defective heater assembly. 4. Loose wiring. 5. Dirty or clogged vents. 6. The thermostat is satisfied. 	<ol style="list-style-type: none"> 1. Refer to operating instructions. 2. Call customer service. 3. Call customer service. 4. Call customer service. 5. Unplug the unit. Clear vent area of dust and debris. Wait ten minutes, plug the unit in again and turn on the heater. 6. Adjust thermostat clockwise to make room warmer.
Excessive noise when the heater is operating.	<ol style="list-style-type: none"> 1. Defective fan. 2. Defective heater assembly. 3. Dirt/dust on fan. 	<ol style="list-style-type: none"> 1. Call customer service. 2. Call customer service. 3. Refer to maintenance section.

ONE YEAR LIMITED WARRANTY

ONE YEAR LIMITED WARRANTY

If within one year from the date of original purchase, this item fails due to a defect in material or workmanship, we will replace or repair at our option, free of charge. To order parts or obtain warranty service, call 1-877-477-4768, 8:30 a.m. – 4:30 p.m. CST, Monday – Friday. This warranty does not cover defects resulting from improper or abnormal use, misuse, accident, or alteration. Failure to follow all instructions in the owner's manual will also void this warranty. GHP Group, Inc. will not be liable for incidental or consequential damages. Some states do not allow the exclusion or limitation of incidental or consequential damages, so the above limitation or exclusion of incidental or consequential damages may not apply to you. This warranty gives you specific legal rights and you may also have other rights which vary from state to state.

GHP Group, Inc.

6440 W. Howard St. • Niles, IL • 60714-3302
271 Massey Road • Guelph, ON • N1K 1B2

Notice to the Customer

Our quality furniture is built keeping tradition in mind. Variations in actual wood color and finishes which may result from natural characteristics of the wood, such as grain patterns, mineral streaks and the like, are not considered defects. As wood continues to move and age you may notice these slight differences in color, even on different parts of any individual unit. Sound knots and slight surface cracks are true personality of a quality piece of wood furniture.

There are several practices we recommend so that you may maintain your new furniture in top condition. First of all, to maintain the finish, you should clean with a soft, slightly damp cloth and buff with a dry cloth. Secondly, wood furniture should never be dragged across a floor. The added stress from dragging the unit may cause the dragged edge to splinter or it may cause some joints to loosen.

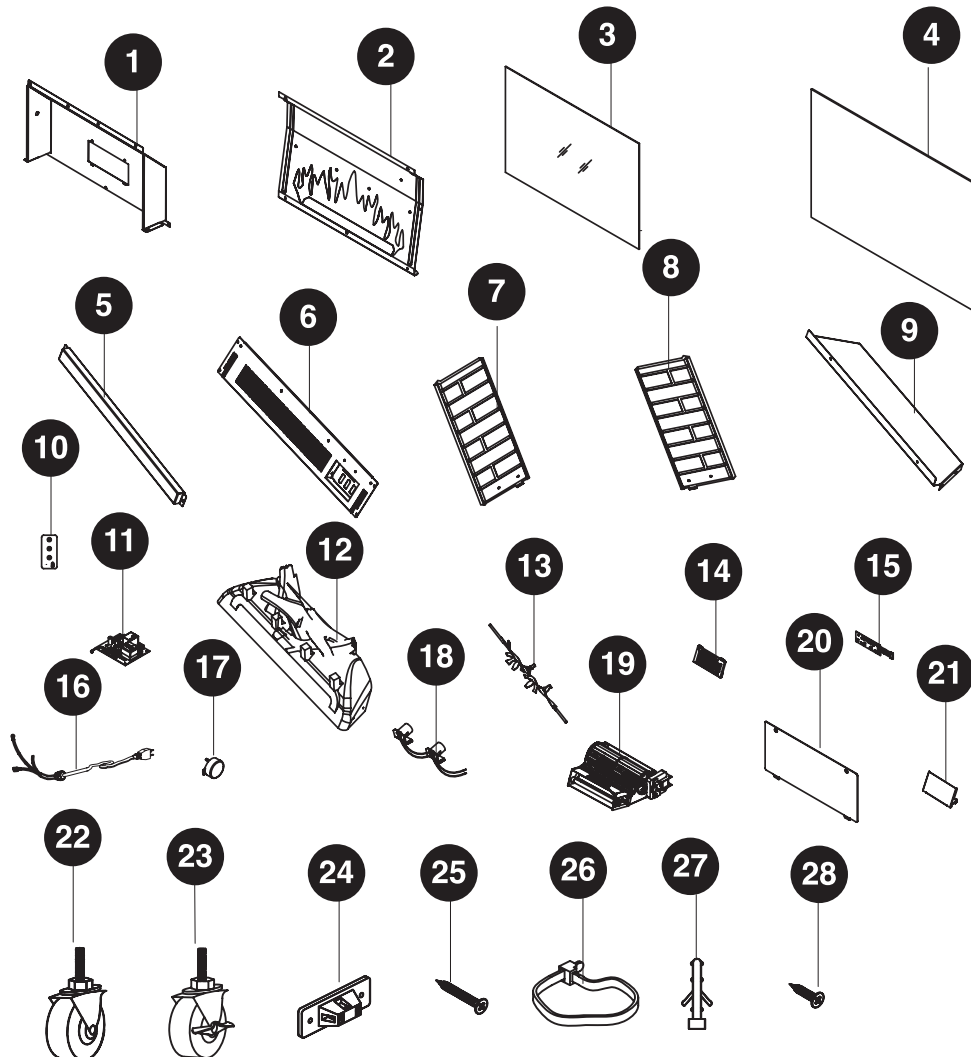
Please contact us for any questions or concerns you may have regarding your new piece of furniture.

REPLACEMENT PARTS LIST

For replacement parts, please call customer service at 1-877-447-4768, 8:30 a.m. – 4:30 p.m. CST, Monday – Friday.

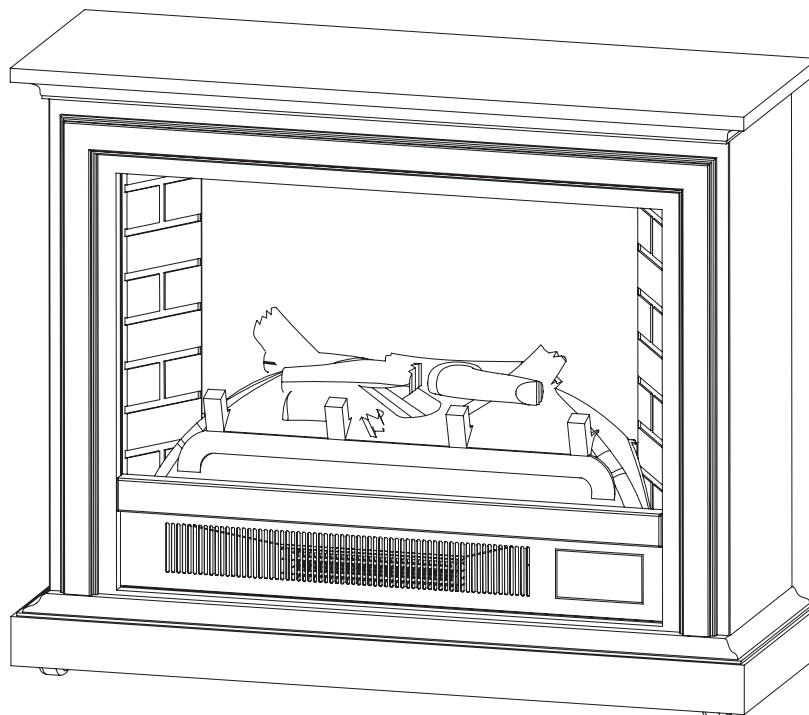
Part	Description	Part #
1	Back Panel	EF237916501AC
2	Flame Panel	EF237916502AC
3	Glass	EF237916503AC
4	Screen	EF237916504AC
5	Front Decorative Panel	EF237916505AC
6	Front Panel	EF237916506AC-14
7	Left Brick Side Panel	EF237916507AC
8	Right Brick Side Panel	EF237916508AC
9	Top Panel	EF237916509AC
10	Remote Control	EF33510AS
11	Main Board (PCB)	EF237916510AC-14
12	Logset	EF237916511AC
13	Flame Reflector	EF237916512AC
14	Control Panel	EF237916513AC-14
15	Control Panel Circuit Board	EF237916514AC

Part	Description	Part #
16	Power Cord & Connector	EF24900015AC
17	Synchronous Motor	EFES323020ST
18	Lamp Socket & Bracket	EFES323021ST
19	Fan Heater	EF23022501X-14
20	Access Panel	EFES323008ST
21	Control Panel Door	EF23791AC-14
22	Front Caster	20-12-486
23	Rear Brake Caster	20-12-487
24	Mounting Bracket	20-09-518
25	1-3/8 in. Screw	
26	Nylon Strap	
27	Wall Anchor	
28	5/8 in. Screw	



COMPACTO MÓVIL CHIMENEA

MODELO #GLF-5002-50 / GLF-5002-68
GLF-5002-75 / GLF-5002-205



INSTRUCCIONES IMPORTANTES

POR FAVOR, LEA ESTE MANUAL ANTES DE LA INSTALACIÓN Y USO DEL DISPOSITIVO

¡ADVERTENCIA!

SI LA INFORMACIÓN EN ESTE MANUAL NO SE SIGUE CON EXACTITUD,
PUEDE RESULTAR UN CHOQUE ELÉCTRICO O INCENDIO
OCASIONANDO DAÑOS A LA PROPIEDAD, LESIONES PERSONALES O LA MUERTE.

INSTALADOR: Deje este manual con el dispositivo.
CONSUMIDOR: Conserve este manual para uso futuro.

ADJUNTE SU RECIBO AQUÍ

Número de serie _____ Fecha de compra _____



¿Preguntas, problemas, piezas faltantes?

Antes de volver a la tienda, llame a nuestro departamento de servicio al cliente al 1-877-447-4768,
de lunes a viernes de 8:30 a.m. a 4:30 p.m.

ÍNDICE

Información de seguridad.....	19
Contenido del paquete	22
Aditamentos.....	22
Chimenea dimensiones.....	23
Información de seguridad.....	24
Preparación.....	24
Instrucciones de ensamblaje.....	24
Instrucciones de operación.....	26
Cuidado y mantenimiento.....	28
Diagrama del cableado eléctrico.....	29
Solución de problemas.....	30
Garantía.....	31
Lista de piezas de repuesto.....	32



IMPORTANTE: lea con atención todas las instrucciones y advertencias antes de comenzar la instalación. Si no se siguen las instrucciones, se puede provocar una descarga eléctrica, lesiones a personas, riesgo de incendio, lo que anulará la garantía.

**Lea estas instrucciones de instalación y funcionamiento
antes de utilizar el electrodoméstico.**


PRECAUCIÓN

EL DAÑO DEL PRODUCTO PUEDE OCURRIR.

Nunca trate de desarmar o alterar este producto sin seguir las instrucciones de este manual.



Lea y comprenda completamente este manual antes de intentar ensamblar, usar o instalar el producto.

1. Lea todas las instrucciones antes de usar este electrodoméstico.
2. Este electrodoméstico se calienta cuando está en funcionamiento. Para evitar quemaduras, no toque superficies calientes con la piel desnuda. Si se incluyen, utilice las manijas para trasladar el electrodoméstico. Mantenga materiales inflamables, como muebles, almohadas, ropa de cama, papeles, ropa y cortinas al menos a 914,4 mm (3 pies) de la parte delantera de este electrodoméstico y mantenerlos alejados de los costados y parte trasera..
3.  **PRECAUCIÓN: Se debe tener extrema precaución cuando niños o personas discapacitadas usen un calentador o cuando se use cerca de ellos, y siempre que el calentador se deje funcionando sin vigilancia.**
4. Si es posible, siempre desenchufe este electrodoméstico cuando no lo use.
5. No opere ningún calentador con un cable o enchufe dañados, o después de fallas del mismo, de que se haya dejado caer o dañado de cualquier forma.
6. Toda reparación de este electrodoméstico debe realizarla un técnico calificado.
7. Bajo ninguna circunstancia se debe modificar este electrodoméstico. Las piezas que se deben retirar para reparación se deben reemplazar antes de volver a hacer funcionar este electrodoméstico.
8. No lo use en exteriores.
9. Este calentador no se debe usar en el baño, lavadero y en espacios húmedos similares interiores. Nunca coloque este calentador donde se pueda caer dentro de una bañera u otro contenedor de agua.
10. No utilice este calentador en lugares elevados como por ejemplo sobre repisas, plataformas elevadas, etc.
11. No coloque el cable debajo de una alfombra. No cubra el cable con alfombras, tapetes o similares. Coloque el cable lejos de zonas de tránsito en donde nadie se pueda tropezar y caer.
12. Para desconectar este electrodoméstico, gire los controles a la posición de apagado y luego retire el enchufe del tomacorriente.
13. Conecte únicamente a un tomacorriente con la debida puesta a tierra.
14. Cuando está instalado, este electrodoméstico se debe poner a tierra según los códigos locales, según los Códigos de Electricidad de Canadá CSA C22.1 o, para instalaciones en EE.UU., siga los códigos locales y el código nacional de electricidad, ANSI/NFPA No. 70.
15. No introduzca objetos extraños ni permita que entren en las aberturas de escape o ventilación, ya que pueden provocar descargas eléctricas, incendios o daños en el electrodoméstico.
16. Para evitar incendios, no bloquee las entradas ni salidas de aire de ninguna manera. No use sobre superficies blandas, como una cama, donde las aberturas se puedan bloquear.
17. Este electrodoméstico tiene en su interior piezas calientes y piezas que forman arcos eléctricos o que echan chispas. No lo use en áreas donde se use o almacene gasolina, pintura o líquidos inflamables. Este electrodoméstico no se debe usar como una rejilla para secar ropa, ni tampoco se deben colgar calcetas navideñas o decoraciones en el electrodoméstico o cerca de éste.
18. Utilice este electrodoméstico sólo como se describe en este manual. Cualquier otro uso no recomendado por el fabricante puede causar incendios, descargas eléctricas o lesiones personales.
19. Conecte siempre los calefactores directamente en un tomacorriente/receptáculo de pared. Nunca use un cable de extensión o tomacorriente móvil (tomacorriente/enchufe múltiple) debido al riesgo de sobrecalentamiento del cable y el riesgo de incendio. Los cables de extensión son solo para uso temporal. Si se debe usar un cable de extensión, debe ser UL/CSA certificado, con capacidad nominal de 15A (1,875W), 125V máximo con 14 AWG mínimo y construido de dos conductores de corriente con tierra. Se recomienda un cable de extensión resistente con la longitud más corta posible para la conexión y no debe ser más largo que 50 pies (15.2 m). No enrolle ni cubra el cable de extensión.
20. No utilice este calentador cuando le falten patas o estén dañadas o rotas.
21. GUARDE ESTAS INSTRUCCIONES.

! PELIGRO



Conexión eléctrica

Se requiere un circuito de 15 amperios, 120 voltios, 60 Hz con un tomacorriente correctamente puesto a tierra. De preferencia, la artículo debe estar en un circuito dedicado, ya que la conexión de otros electrodomésticos al mismo circuito puede provocar que el interruptor de circuito se desconecte o que el fusible se funda cuando el calentador esté en funcionamiento. Se incluye como estándar con la unidad un cable de tres conductores de 1,83 m (6 pies) de largo, que sale del lado derecho de la artículo. Siempre enchufe la unidad en un tomacorriente/receptáculo de la pared. Nunca deben usarse una extensión eléctrica ni un tomacorriente de alimentación reubicable (tomacorriente/enchufe múltiple).



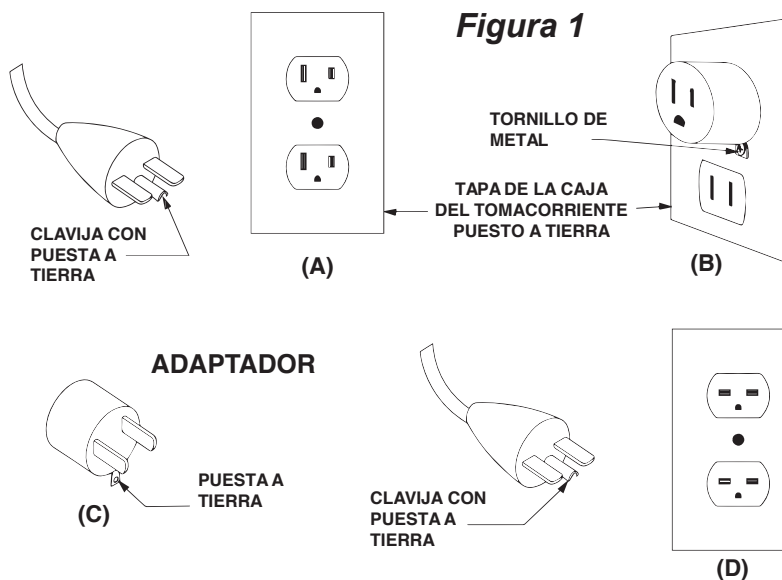
El cableado del tomacorriente debe cumplir con los códigos de construcción locales y con otras normas que correspondan para reducir el riesgo de incendio, descarga eléctrica y lesiones a personas.



No utilice esta artículo si alguna de sus piezas estuvo sumergida en agua. Llame de inmediato a un técnico en mantenimiento calificado a fin de que inspeccione la artículo y reemplace cualquier pieza del sistema eléctrico que haya estado bajo agua.

Instrucciones de puesta a tierra

Este calentador fue diseñado para su uso en 120 voltios. El cable tiene un enchufe, como se muestra en A de la figura 1. Hay disponible un adaptador, como se muestra en C, para conectar enchufes con puesta a tierra de tres clavijas a receptáculos de dos ranuras. La orejeta verde de puesta a tierra que sale del adaptador se debe conectar permanentemente a tierra, como a través de una caja de un tomacorriente correctamente puesto a tierra. El adaptador no se debe usar si hay disponible un receptáculo de tres ranuras puesto a tierra.



NOTA:
Los adaptadores **NO** son para ser utilizados en Canadá

CONTROL REMOTO

Este dispositivo cumple con las reglas de la FCC parte 15. La operación esta sujeta a las siguientes dos condiciones:

(1) Este dispositivo no puede causar interferencias perjudiciales, y (2) este dispositivo debe aceptar cualquier interferencia recibida, incluyendo interferencias que pueda causar funcionamiento no deseado. No existe garantía de que no ocurra interferencia en una instalación en particular. Si este equipo efectiva-mente causa interferencia dañina a la recepción de radio o televisión, lo cual puede determinarse apa-gando y encendiendo el equipo, se recomienda al usuario que trate de corregir la interferencia realizando uno o varios de los siguientes pasos:

- Cambie de dirección o de lugar la antena receptora.
- Aumente la separación entre el equipo y el receptor.
- Conecte el equipo en un tomacorriente en un circuito diferente de donde esté conectado el receptor.
- Consulte al concesionario o a un técnico de radio/TV con experiencia para que le ayude.

Este control remoto requiere 1 batería plana de litio (tamaño CR2025), la cual viene incluida.

ADVERTENCIA: Cambios o modificaciones a esta unidad que no esten expresamente aprobado por la parte responsable por conformidad puede anular el autorizacion del usuario para operar el equipo.

ADVERTENCIA

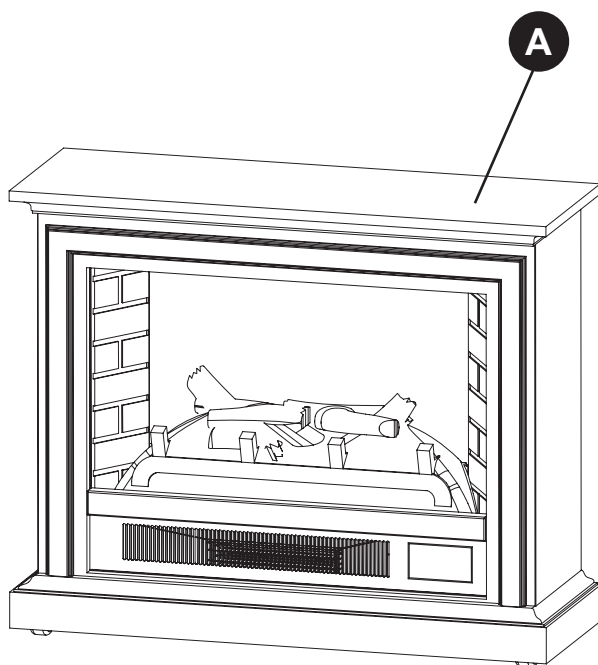
NO mezcle baterías viejas con nuevas.

NO use baterías recargables de óxido de plata con la unidad del control remoto.

NO mezcle baterías alcalinas, estándar (Carbón-Cinc) o recargables (Níquel-Cadmio).

NO deseche las baterías en el fuego. La eliminación inadecuada puede hacer que las bat-erías goteen o exploten.

CONTENIDO DEL PAQUETE



PART	DESCRIPTION	Quantity
A	Marco de la chimenea (con inserto de chimenea)	1

ADITAMENTOS

AA



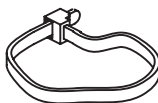
Soporte de
Montaje
Qty. 2

BB



Tornillo
(1-3/8 pulg.)
Qty. 2

CC



Correa de
Nylon
Qty. 1

DD



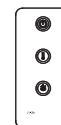
Ancla de
Pared
Qty. 2

EE



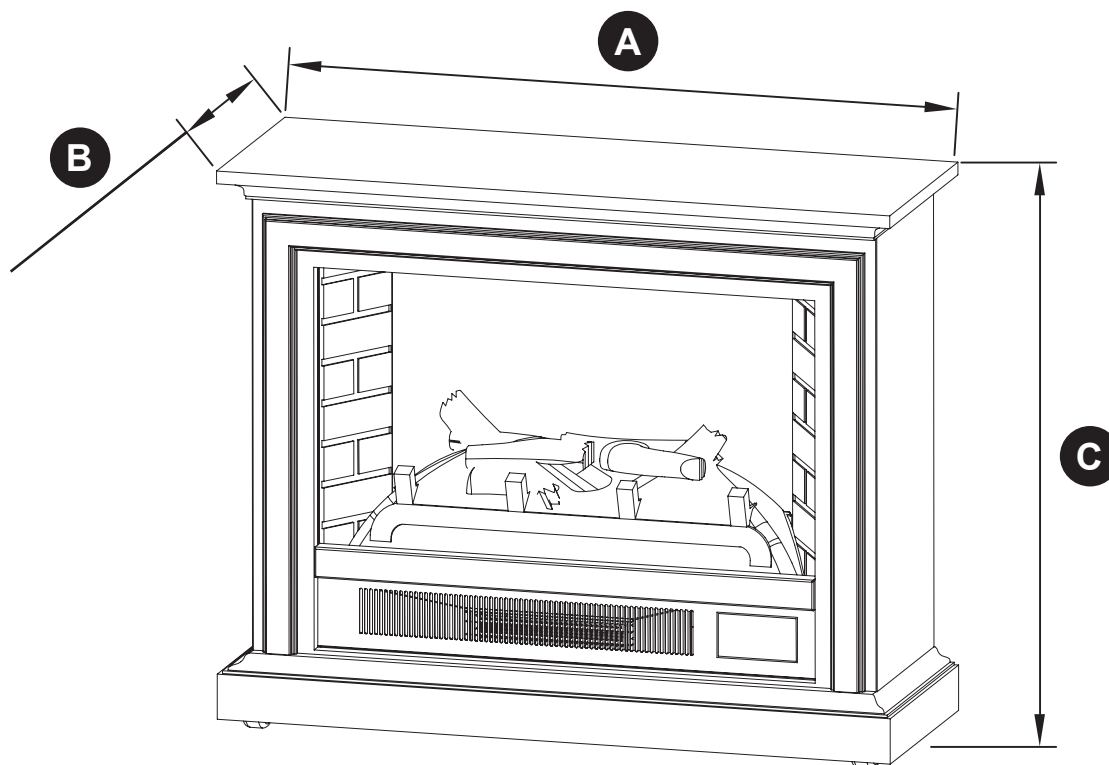
Tornillo
(5/8 pulg.)
Qty. 2

FF



Control
remoto
Qty. 1

CHIMENEA DIMENSIONES



Ref.	GLF-5002-68/GLF-5002-50 GLF-5002-75/GLF-5002-205
A	31.75 pulg. (806 mm)
B	12.375 pulg. (313 mm)
C	27.25 pulg. (792 mm)

ESPECIFICACIONES TÉCNICAS	
VOLTAJE	120V AC
FRECUENCIA	60HZ
AMPERAJE	12.5A
POTENCIA DE SERVICIO DEL CALENTADOR	1350W

! INFORMACIÓN DE SEGURIDAD

Lea y comprenda completamente este manual antes de intentar ensamblar, usar o instalar el producto. Si tiene preguntas relacionadas con el producto, llame al Servicio al Cliente al 1-877-447-4768, de lunes a viernes de 8:30 a.m. a 4:30 p.m., hora central estándar.

! PRECAUCIÓN:

- Chimenea es pesado y debe ser montado cerca de su ubicación deseada.
- Se recomienda que dos personas se desplazan la chimenea se reunieron para prevenir lesiones.

DISTANCIA DE SEPARACIÓN CON ELEMENTOS INFLAMABLES	
Lateral	61.5 mm (2 27/64 in.)
Piso	0 mm (0 in.)
Parte superior	508 mm (20 in.)
Parte delantera	914 mm (36 in.)
Trasero	0 mm (0 in.)

! PRECAUCIÓN: No instale la unidad en los estantes, plataformas elevadas, camas, mantas, almohadas, etc Mantenga los materiales combustibles, tales como muebles, ropa de cama, papeles, ropa y cortinas por lo menos 3 pies (914 mm) de la chimenea.

PREPARACIÓN

Antes de comenzar a ensamblar el producto, asegúrese de tener todas las piezas. Compare las piezas con la lista del contenido del paquete y los aditamentos anteriores. No intente ensamblar el producto si falta alguna pieza o si éstas están dañadas. Póngase en contacto con el Departamento de Servicio al Cliente para obtener piezas de repuesto.

Tiempo estimado de ensamblaje: 20 minutos

Herramientas necesarias para el ensamblaje: destornillador Phillips (no se incluye).

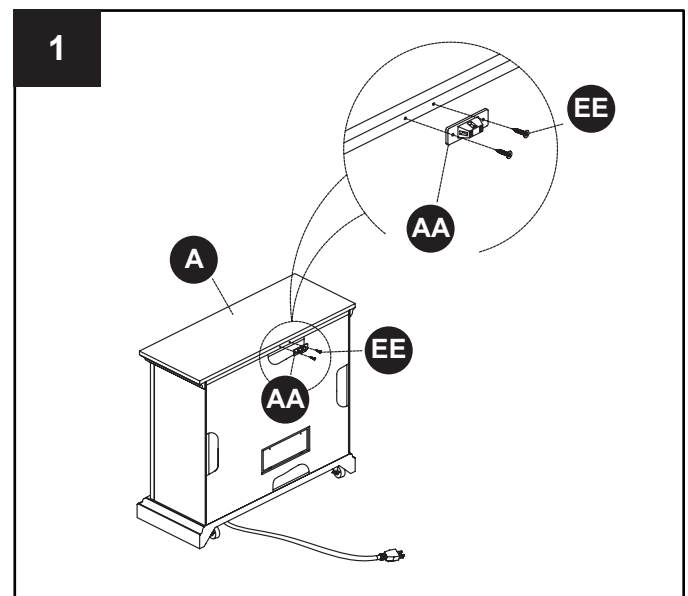


INSTRUCCIONES DE ENSAMBLAJE

Retire con cuidado todas las piezas de la caja y asegúrese de que usted tiene todas las piezas de la lista (consulte la lista de piezas en la página 19). **Si le faltan piezas, por favor llame servicio al cliente al 1-877-447-4768**

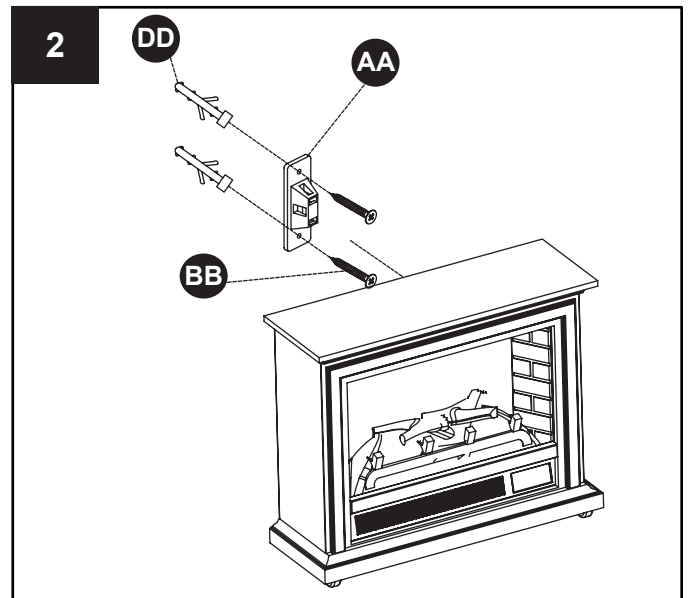
NOTA: Para evitar rayar el acabado, ensamble este producto sobre una superficie suave no abrasiva, como una alfombra o cartones.

1. Instale un soporte de montaje (AA) en el borde superior de la parte trasera del marco (A) insertando dos tornillos (BB) a través del soporte de montaje (AA) y en los agujeros preperforados en el marco (A). Apriete con un destornillador.

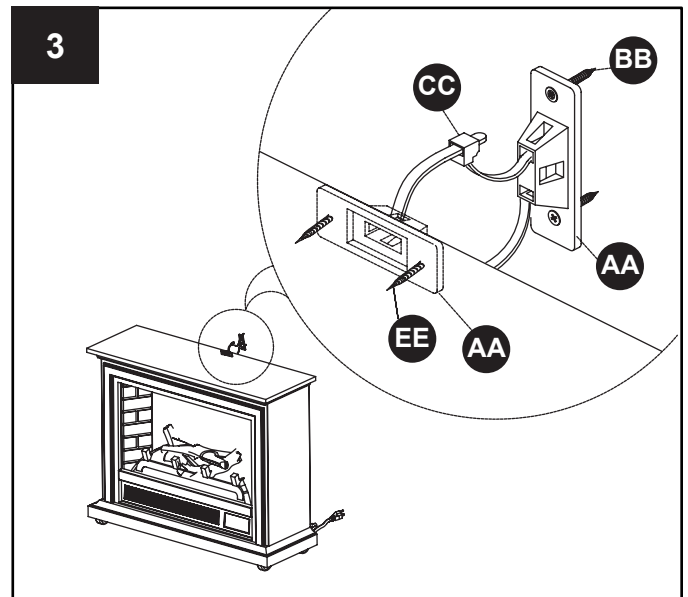


INSTRUCCIONES DE ENSAMBLAJE

2. Instale un soporte de montaje (AA) en la pared en la ubicación que seleccionó para colocar el marco (A) colocando el soporte de montaje (AA) a aproximadamente la misma altura que el soporte de montaje (AA) instalado previamente en el marco (A). Inserte tornillos (BB) en el soporte de montaje (AA) y en un montante de pared. Si no hay montantes, inserte las anclas de pared (DD) antes de insertar los tornillos (BB). Apriete con un destornillador.



3. Coloque el marco (A) a 2-3 pulgadas de la pared con ambos soportes de montaje (AA) alineados. Deslice la correa de nylon (CC) a través de las aberturas en cada soporte de montaje (AA) y asegure la correa de nylon (CC). Esto evitará que el producto se incline.



PELIGRO: Este producto es solo un disuasivo. No es un sustituto de supervisión apropiada de un adulto.

INSTRUCCIONES DE OPERACIÓN

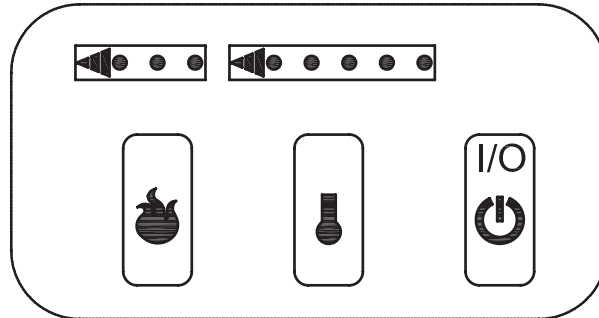
Lea todas las instrucciones antes de usar

Revise que la parrilla de salida de la estufa no este cubierta o haya algun obstaculo, y asegurese de que el boton de encendido este en el punto on.

NOTA: Cuando haga funcionar la estufa por primera vez, puede haber un poco de olor. Esto es normal y no debe volver a ocurrir al menos que la estufa este por un extenso periodo de tiempo sin usar.

Panel de control

El panel de control está ubicado detrás de la puerta de la chimenea.



Botón de fuente de energía principal: Este botón suministra energía a todas las funciones de la chimenea. Debe encenderse para que la chimenea funcione.

Botón de control del calefactor: Este botón controla el encendido y apagado del calefactor y 5 modos de temperatura desde Baja a Alta. Cuando el calefactor se enciende por primera vez, encenderá al ajuste de la temperatura ambiente más baja. El ajuste de registro recordará el último ajuste de calor y en uso posterior el calefactor encenderá a ese ajuste, a menos que se haya interrumpido la energía a la unidad. Cada vez que se presione el botón de temperatura, el punto de ajuste de la temperatura aumenta, permitiéndole ajustar la temperatura ambiente.

Función de bloqueo del calefactor: Cuando el calefactor está encendido, presione el botón de la fuente de energía principal durante 10 segundos. El calefactor se bloqueará y el botón de control del calefactor en el panel de control como también el control remoto se inhabilitarán. Antes de que el calefactor se bloquee, la llama destellará 6 veces. Para desbloquear el calefactor, presione el botón de la fuente de energía principal durante 10 segundos. Antes de que el calefactor se desbloquee, la llama destellará 6 veces.

Botón de control de la llama: Este botón controla la luminosidad del efecto de llama con ajustes como Alto, Medio y Bajo. Cuando el ajuste de registro se enciende por primera vez, la llama se encenderá en el ajuste más alto. El ajuste de registro recordará el último ajuste de llama y en uso posterior la luminosidad de la llama encenderá a ese ajuste, a menos que se haya interrumpido la energía a la unidad. Cada vez que se presiona el botón de la llama, la luminosidad de la llama disminuye. La única manera de apagar por completo el efecto de la llama es apagando el botón de la fuente de energía principal.

INSTRUCCIONES DE OPERACIÓN

El control remoto infrarrojo depende de una línea de visión y debe ser apuntado a los controles del conjunto de leños para que funcione. La unidad de control remoto tiene los controles requeridos para encender/apagar tanto la energía principal como el calefactor. Si prefiere usar los botones del control en la unidad misma del conjunto de leños, estos se encuentran en la esquina inferior derecha de la unidad. La disposición de los botones y la unidad de control remoto se pueden ver en las Figuras 2 y 3, respectivamente.

Conecte su conjunto de leños en un tomacorriente eléctrico de 15 Amperios, 120 Voltios.

1. Encienda la energía. Se mostrará la llama en la pared detrás del conjunto de leños.
2. Retire la lengüeta plástica del interior del compartimiento de la batería para activar el control remoto.
3. Apunte el control remoto directamente a los botones de control del conjunto de leños y use los botones para operar el conjunto de leños.

Botón de fuente de energía principal (1):

Este botón suministra energía a todas las funciones de la chimenea eléctrica. El botón de energía principal debe estar en la posición ON, ya sea en el control remoto o en los controles en la chimenea eléctrica para que opere la función.

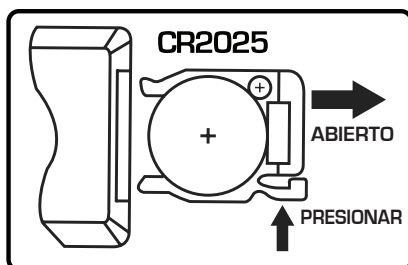
Botón de control del calefactor (2):

Este botón controla el encendido y apagado del calefactor y 5 modos de temperatura de Baja a Alta. Cuando el calefactor se enciende por primera vez, encenderá al ajuste de la temperatura ambiente más baja. El conjunto de leños recordará el último ajuste de calor. En uso posterior, el calefactor arrancará a ese ajuste, a menos que se haya interrumpido la energía a la unidad. Cada vez que se presione el botón de temperatura, el punto de ajuste de la temperatura aumenta, permitiéndole ajustar la temperatura ambiente.

Botón de control de la llama (3):

Este botón controla la luminosidad del efecto de llama con ajustes como Alto, Medio y Bajo. Cuando el conjunto de leños se enciende por primera vez, la llama se encenderá en el ajuste más alto. El conjunto de leños recordará el último ajuste de la llama utilizado. En uso posterior, la luminosidad de la llama arrancará a ese ajuste, a menos que se haya interrumpido la energía a la unidad. Cada vez que se presiona el botón de la llama, la luminosidad de la llama disminuye. La única manera de apagar por completo el efecto de la llama es apagando el botón de la energía principal.

Procedimiento de reemplazo de la batería: (Tamaño CR2025)



▼ LIBERAR

La lengüeta plástica dentro del compartimiento de la batería DEBE ser retirada antes de operar el control remoto.

(Lengüeta de tirar)

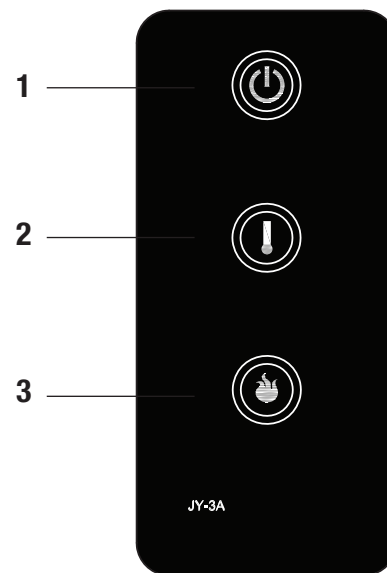


Figura 3



IMPORTANTE: Bajo condiciones de funcionamiento normal, cuando se desconecta la energía eléctrica por un corte de corriente o porque se desenchufa la unidad de la pared mientras esta todavía funcionando, la luz indicadora del nivel de temperatura va a parpadear repetidamente y la unidad dejara de funcionar. Para poder reconfigurar la unidad, desenchufela por 10 minutos, luego enchufela otra vez y hagala funcionar normalmente y de acuerdo a la Guía de Uso y Mantenimiento.

CUIDADO Y MANTENIMIENTO

Limpieza

Siempre apague la estufa y desconecte el cable de electricidad de la pared antes de limpiarla. Use una aspiradora o plumero para sacarle el polvo de la toma de aire. Limpiela con un trapo humedo y sequela con un trapo seco. Nunca use limpiadores abrasivos, sprays or limpiadores que puedan rayar la superficie.

No arrastre nunca la unidad por el piso. La tensión adicional por arrastrar la unidad puede ocasionar que las patas se quiebren.

Información sobre el vidrio

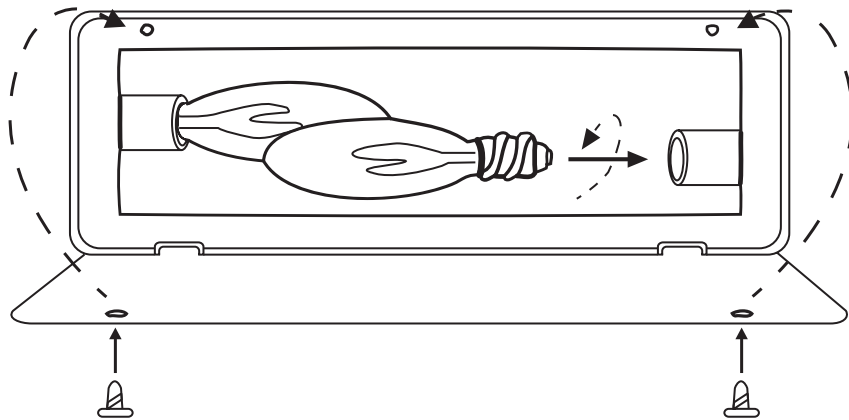
1. Bajo ninguna circunstancia este producto se debe operar con el vidrio roto.
2. No golpee el vidrio.
3. No use limpiadores abrasivos para limpiar el vidrio.
4. Este producto usa vidrio templado. El reemplazo del vidrio proporcionado por el fabricante sólo debe realizarlo un técnico calificado.

Inspeccion del foco y reemplazo (algunos modelos)

El efecto de la llama es creado por does 40v focos con un E-12 chico de base. Use solo este tipo de foco. Si el efecto de la llama no funciona, los pueden estar flojos o dañados durante el transporte.

⚠ CUIDADO: Los focos se calientan durante el uso. Espere por lo menos 10 minutos para que los focos se enfrien antes de tocarlos

Para inspeccionar or reemplazar los focos, primero desenchufe el cable electrico de la pared. Encuentre el panel de acceso detras de la estufa. Quite los tornillos y el panel. Revise los focos para asegurarse que estan bien ajustados y en buen estado. Reemplace los que esten dañados. Vuelva a colocar el panel de acceso. No opere la estufa sin el panel en su lugar. No quite la tapa de atras de la estufa. No hay partes que necesiten mantenimiento adentro.



CUIDADO: No exceda los 40 w por foco. Eso puede provocar incendio y daños fisicos.

Mantenimiento de los motores

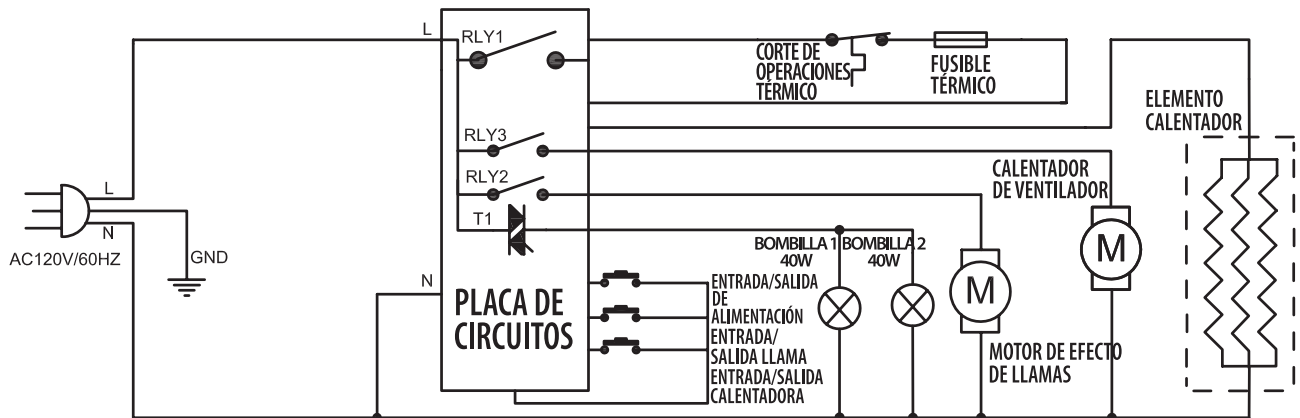
⚠ CUIDADO: Siempre desconecte el electrodoméstico del suministro eléctrico principal y permita que se enfríe antes de cualquier operación de mantenimiento.

Los motores usados en el calentador de ventilador y el soplador de llamas vienen lubricados previamente para prolongar la vida útil de los rodamientos y no necesitan otra lubricación. Sin embargo, se recomienda una limpieza o aspiración periódica del electrodoméstico alrededor de la entrada y salida de aire, así como del calentador de ventilador. Para un uso pesado o continuo, la limpieza periódica se debe realizar con mayor frecuencia. Si el calentador sopla alternadamente aire frío y cálido, compruebe que el ventilador se mueva libremente y que no haya desechos que obstruyan el flujo de aire. Si el ventilador no se mueve libremente, la unidad se debe apagar y el ventilador se debe reemplazar inmediatamente para evitar daños a la unidad.

DIAGRAMA DEL CABLEADO ELÉCTRICO

Toda reparación eléctrica o nuevo cableado de esta unidad sólo debe realizarlo un electricista certificado de acuerdo con los códigos nacionales y locales.

DIAGRAMA DE CIRCUITO



ADVERTENCIA: Desconecte la fuente de alimentación antes de dar mantenimiento.



PELIGRO



Desconecte de la alimentación antes de realizar mantenimiento.

Todo nuevo cableado eléctrico del electrodoméstico debe realizarlo un electricista calificado. Este cableado se debe realizar de acuerdo con códigos locales o, en Canadá, de acuerdo con el Código de Electricidad de Canadá CSA C22.1 actual, y para las instalaciones en EE.UU., de acuerdo con el código nacional de electricidad, ANSI/NFPA No. 70.

Si se repara o reemplaza cualquier componente eléctrico o cableado, se deben seguir las rutas originales de los cables, los códigos de color y las ubicaciones de fijación.

SOLUCIÓN DE PROBLEMAS

Si tiene preguntas relacionadas con el producto, llame al Servicio al Cliente al 1-877-447-4768, entre 8 h 30 et 16 h 30, HNC, du lundi au vendredi.

Problema	Causa posible	Acción correctiva
La chimenea no funciona.	<ol style="list-style-type: none"> 1. La chimenea no está enchufada. 2. Un interruptor de circuito se desconectó o se fundió un fusible. 3. Interruptor de ENCENDIDO/ APAGADO defectuoso 4. Cableado suelto. 	<ol style="list-style-type: none"> 1. Asegúrese de que la chimenea esté enchufada a un tomacorriente estándar de 120 V. 2. Compruebe si hay otros electrodomésticos conectados al circuito; idealmente, la chimenea debe estar conectada a un circuito dedicado de 15 amperios. 3. Llame a Servicio al Cliente. 4. Llame a Servicio al Cliente.
La luz de encendido está encendida pero la llama posterior no brilla o no está visible.	<ol style="list-style-type: none"> 1. Funcionamiento incorrecto. 2. Desajuste foco de luz. 3. Focos de luz quemados. 	<ol style="list-style-type: none"> 1. Consulte las instrucciones de operación. 2. Ajustar foco de luz. 3. Reemplazar foco(s) de luz.
El calentador no funciona.	<ol style="list-style-type: none"> 1. Funcionamiento incorrecto. 2. Interruptor del calentador defectuoso. 3. Ensamble del calentador defectuoso. 4. Cableado suelto. 5. Rejillas de ventilación sucio u obstruido. 6. El termostato está satisfecho. 	<ol style="list-style-type: none"> 1. Consulte las instrucciones de operación. 2. Llame a Servicio al Cliente. 3. Llame a Servicio al Cliente. 4. Llame a Servicio al Cliente. 5. Desenchufe la unidad. Limpie el polvo y los desechos del área de las rejillas de ventilación. Espere diez minutos, vuelva a enchufar la unidad y encienda el calentador. 6. Ajuste el termostato en el sentido de las manecillas del reloj para hacer que la habitación esté más caliente.
Ruido excesivo cuando el calentador está funcionando.	<ol style="list-style-type: none"> 1. Ventilador defectuoso. 2. Asamblaje de la estufa defectuoso. 3. Suciedad/polvo en el ventilador. 	<ol style="list-style-type: none"> 1. Llame a Servicio al Cliente. 2. Llame a Servicio al Cliente. 3. Refiérase a la sección de mantenimiento.

GARANTÍA LIMITADA DE UN AÑO

Si un lapso de un año a partir de la fecha de compra original este artículo falla debido a un defecto en el material o la mano de obra, lo reemplazaremos o repararemos sin cargos a nuestra discreción. Para hacer un pedido de las piezas o para obtener el servicio de garantía, llame al 1-877-477-4768, 8:30 a.m. – 4:30 p.m. EST, Monday – Friday. Esta garantía no cubre defectos que sean producto de un uso incorrecto o anormal, uso indebido, accidente o alteración. No seguir todas las instrucciones del manual del propietario también anulará esta garantía. El fabricante no será reponsable de daños accidentales o resultantes. Algunos estados no permiten la exclusión o limitación de los daños accidentales o resultantes, de modo que las limitaciones anteriores pueden no aplicarse en su caso. Esta garantía le otorga derechos legales específicos, pero podría tener también otros derechos que verían según el estado.

GHP Group, Inc.

6440 W. Howard St. • Niles, IL • 60714-3302
271 Massey Road • Guelph, ON • N1K 1B2

AVISO PARA EL CONSUMIDOR

Nuestros muebles de calidad de fabrican teniendo en mente la tradición. Las variaciones en el color y acabados de la madera, que pueden ser resultado de las características naturales de la misma, tales como el patrón de las vetas, manchas minerales y otros similares, no se consideran defectos. A medida que la madera continúa moviéndose y envejeciendo, usted podrá notar estas ligeras diferencias en color, incluso en diferentes partes de una pieza individual. Los nudos profundos y las pequeñas rajaduras en la superficie indican la personalidad verdadera de una pieza de madera de buena calidad.

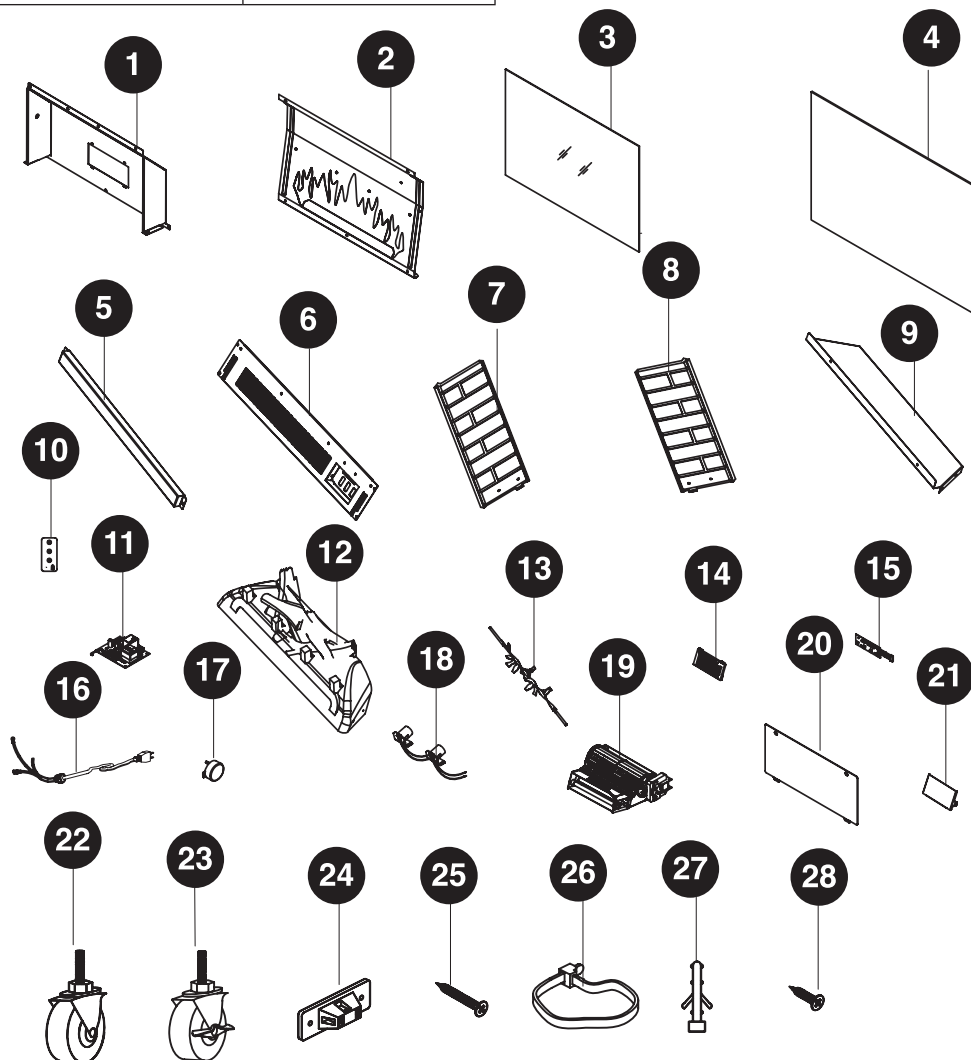
Existen varias formas que recomendamos para que mantenga sus muebles nuevos en las mejores condiciones. Primero que todo, para mantener el acabado debe limpiar con un paño suave, ligeramente húmedo, y pulir con un paño seco. Además, los muebles de madera nunca deben arrastrarse por el piso. el estrés agregado de arrastrar la unidad puede causar que la parte arrastrada se astille o que se afloje una unión.

Comuníquese con nostoros si tiene alguna pregunta o preocupación acerca de su nuevo mueble.

LISTA DE PIEZAS DE REPUESTO

Para obtener piezas de repuesto, llame a nuestro Departamento de Servicio al Cliente al 1-877-447-4768, de lunes a viernes de 8:30 a.m. a 4:30 p.m., hora central estándar.

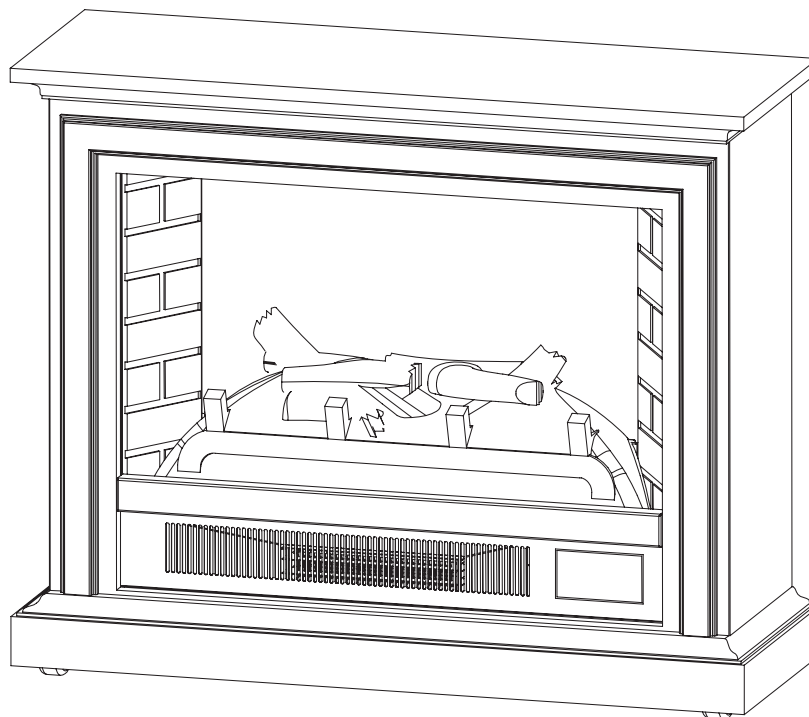
Pieza	Descripción	Núm. de pieza	Pieza	Descripción	Núm. de pieza
1	Panel trasero	EF237916501AC	16	Cable eléctrico y conector	EF24900015AC
2	Panel de la llama	EF237916502AC	17	Motor sincrónico	EFES323020ST
3	Vidrio	EF237916503AC	18	Receptáculo y soporte de lámpara	EFES323021ST
4	Pantalla	EF237916504AC	19	Calentador del ventilador	EF23022501X-14
5	Panel decorativo frontal	EF237916505AC	20	Panel de acceso	EFES323008ST
6	Panel frontal	EF237916506AC-14	21	Puerta del panel de control	EF23791AC-14
7	Panel lateral izquierdo de ladrillo	EF237916507AC	22	Ruedita frontal	20-12-486
8	Panel lateral derecho de ladrillo	EF237916508AC	23	Ruedita de freno trasera	20-12-487
9	Panel superior	EF237916509AC	24	Soportes de montaje	20-09-518
10	Control remoto	EF33510AS	25	Tornillo de 1-3/8 pulg.	
11	Tablero principal (PCB)	EF237916510AC-14	26	Correa de nylon	
12	Conjunto de leños	EF237916511AC	27	Ancla de pared	
13	Reflector de llama	EF237916512AC	28	Tornillo de 5/8 pulg.	
14	Panel de control	EF237916513AC-14			
15	Tablero de circuito del panel de control	EF237916514AC			



Impreso en China

FOYER MOBILE COMPACT

MODÈLE n° GLF-5002-50 / GLF-5002-68
GLF-5002-75 / GLF-5002-205



INSTRUCTIONS IMPORTANTES

VEUILLEZ LIRE LE PRÉSENT GUIDE AVANT L'INSTALLATION ET L'UTILISATION DE L'APPAREIL

AVERTISSEMENT!

ASSUREZ-VOUS DE BIEN SUIVRE LES INSTRUCTIONS DONNÉES DANS LE PRÉSENT GUIDE POUR RÉDUIRE AU MINIMUM LE RISQUE D'ÉLECTROCUTION OU D'INCENDIE AFIN D'ÉVITER TOUT DOMMAGE MATÉRIEL, TOUTE BLESSURE OU LA MORT.

INSTALLATEUR : Laissez le présent guide avec l'appareil.
CONSOMMATEUR : Conservez le présent guide à des fins de référence future.

AGRAFEZ VOTRE FACTURE ICI

Numéro de série _____ Date d'achat _____



Questions, problèmes, pièces manquantes?

Avant de communiquer avec votre détaillant, adressez-vous au service à la clientèle au 1 877 447-4768, de 8 h 30 à 16 h 30 (HNC), du lundi au vendredi.

TABLE DES MATIÈRES

Informations relatives à la sécurité.....	35
Contenu de l'emballage.....	38
Quincaillerie fournie.....	38
Dimensions du foyer.....	39
Informations relatives à la sécurité.....	40
Préparation.....	40
Instructions de montage.....	40
Instructions de fonctionnement.....	42
Entretien et maintenance.....	44
Schéma électrique.....	45
Dépannage.....	46
Garantie.....	47
Liste des pièces de rechange.....	48



IMPORTANT : Lisez toutes les instructions et tous les avertissements attentivement avant de commencer l'installation. Le défaut de suivre ces instructions pourrait entraîner une éventuelle électrocution, des blessures à des personnes, un risque d'incendie et annulera la garantie.

Veillez lire les Instructions d'installation et de fonctionnement avant d'utiliser cet appareil.


MISE EN GARDE

DES DOMMAGES AU PRODUIT POURRAIENT SURVENIR.

Ne tentez de démonter ou de modifier le produit d'aucune manière, sauf celle expliquée dans le présent guide.



Veillez lire et comprendre tout le présent guide avant de tenter de monter, d'utiliser ou d'installer le produit.

1. Lisez toutes les instructions avant d'utiliser cet appareil.
2. Cet appareil est chaud lorsqu'il fonctionne. Pour éviter les brûlures, ne laissez pas la peau nue entrer en contact avec les surfaces chaudes. Si l'appareil comporte des poignées, utilisez celles-ci pour le déplacer. Gardez les matières combustibles telles les meubles, les oreillers, les draps, le papier, les vêtements et les rideaux à au moins 914 mm (3 pieds) de l'avant de cet appareil et à bonne distance des côtés et de l'arrière de celui-ci.
3.  **MISE EN GARDE : Faire preuve d'une extrême prudence lorsqu'un générateur d'air chaud est utilisé à proximité d'enfants ou de personnes handicapées ou lorsqu'il est utilisé par ceux-ci, de même que lorsqu'il fonctionne sans surveillance.**
4. Dans la mesure du possible, débranchez cet appareil lorsqu'il n'est pas en utilisation.
5. Évitez de faire fonctionner un générateur d'air chaud lorsque le cordon ou la fiche est endommagé ou après une défaillance de l'appareil, s'il est tombé par terre ou a été endommagé de quelque façon que ce soit.
6. Toute réparation sur cet appareil doit être confiée à un technicien qualifié.
7. Cet appareil ne doit en aucun cas être modifié. Les pièces ayant été enlevées pour l'entretien doivent être réinstallées avant que l'appareil fonctionne de nouveau.
8. N'utilisez pas cet appareil à l'extérieur.
9. Ce générateur d'air chaud n'est pas conçu pour être utilisé dans une salle de bain, une salle de lavage et des emplacements similaires à l'intérieur. Ne placez jamais l'appareil là où il pourrait tomber dans une baignoire ou dans un autre contenant d'eau.
10. N'utilisez pas le générateur d'air chaud dans un emplacement en hauteur comme une étagère, une plateforme surélevée, etc.
11. Évitez de passer le cordon d'alimentation sous une moquette. Évitez de couvrir le cordon d'alimentation avec des tapis, des tapis de couloir ou des objets similaires. Disposez le cordon à un endroit où il y a peu de circulation et où personne ne risque de trébucher.
12. Pour débrancher cet appareil, mettez les contrôles à la position off, puis retirez la fiche de la prise.
13. Branchez l'appareil à des prises correctement mises à la terre seulement.
14. Cet appareil, lorsqu'il est installé, doit être mis à la terre conformément aux codes locaux et, au Canada, le Code canadien de l'électricité CSA C22.1; aux États-Unis, le Code électrique national ANSI/NFPA No 70.
15. N'insérez aucun objet dans un évent de ventilation ou d'évacuation et ne laissez aucun objet y pénétrer; ceci risquerait de provoquer une électrocution, un incendie ou d'endommager l'appareil.
16. Pour prévenir un éventuel incendie, ne bloquez pas les entrées et sorties d'air d'aucune manière. N'utilisez pas cet appareil sur des surfaces molles où les ouvertures pourraient être obstruées, par exemple sur un lit.
17. Cet appareil contient des pièces chaudes et des pièces produisant des arcs électriques ou des étincelles. N'utilisez pas cet appareil à des endroits où de l'essence, de la peinture ou des liquides inflammables sont utilisés ou entreposés. Cet appareil ne devrait pas être utilisé comme séchoir à vêtements et des décorations ou des bas de Noël ne devraient pas être suspendus sur celui-ci ou à proximité de celui-ci.
18. Utilisez cet appareil seulement de la façon décrite dans le présent guide. Toute autre utilisation non recommandée par le fabricant peut provoquer un incendie ou causer une électrocution ou des blessures.

INFORMATIONS RELATIVES À LA SÉCURITÉ

19. Branchez toujours le générateur d'air chaud directement dans une prise électrique murale. N'utilisez jamais de rallonge électrique ou de source d'alimentation amovible (prise, barre multiprise). Le cordon risquerait de surchauffer et de provoquer un incendie. Les rallonges électriques ne devraient être utilisés que de façon temporaire. S'il est nécessaire d'utiliser une rallonge électrique, celle-ci doit être certifiée UL/CSA, avec une capacité nominale de 15 A (1 875 W), 125 V maximum et un calibre d'au moins 14 AWG; elle doit comporter au moins deux conducteurs de courant et un fil de mise à la terre. Une rallonge électrique pour service intensif, de la longueur la plus courte possible pour effectuer le raccord, est recommandée; la longueur de celle-ci ne doit pas dépasser 15,2 m (50 pi). Évitez d'enrouler ou de couvrir la rallonge électrique.
20. N'utilisez pas ce générateur d'air chaud si des roues sont manquantes, endommagées ou brisées.
21. « CONSERVEZ CES INSTRUCTIONS »

DANGER



Raccordement électrique

Un circuit électrique de 15 A, 120 V, 60 Hz avec une prise correctement mise à la terre est nécessaire. Il est préférable que cet appareil soit branché à un circuit électrique dédié, puisque la présence d'autres appareils sur le même circuit pourrait déclencher le disjoncteur ou griller le fusible lorsque le générateur d'air chaud est en utilisation. L'appareil est doté d'un cordon standard de 1,8 m (6 pieds) trois conducteurs, raccordé au côté droit. Branchez toujours l'appareil dans une prise électrique murale. Une rallonge électrique ou une source d'alimentation amovible (prise, barre multiprise) ne devrait jamais être utilisée



Le câblage utilisé dans la prise électrique doit être conforme aux codes du bâtiment locaux et aux autres règlements applicables afin de réduire le risque d'incendie, d'électrocution et de blessure.

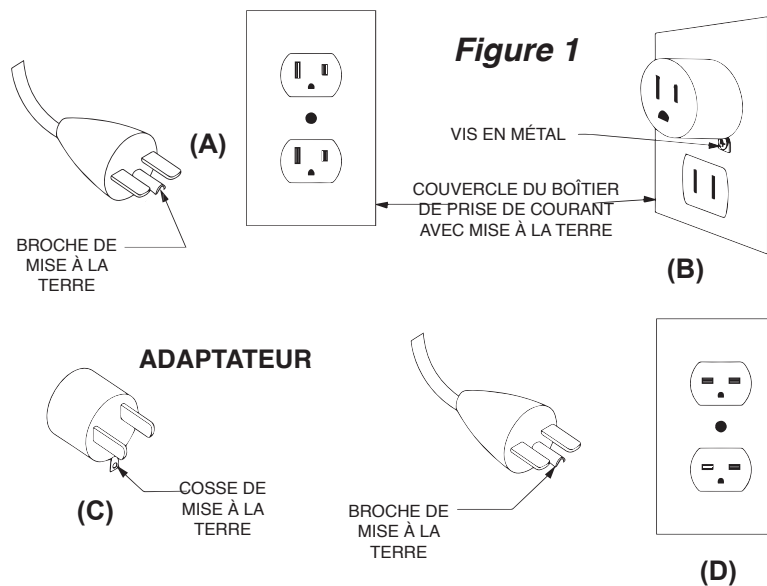


N'utilisez pas cet appareil si une partie de celui-ci a été immergée. Appelez immédiatement un technicien qualifié pour qu'il inspecte l'appareil et remplace toute pièce électrique ayant été immergée.

Instructions de mise à la terre

Ce générateur d'air chaud est conçu pour une alimentation de 120 V. Le cordon est doté d'une fiche, qui est illustrée dans la Figure 1 (A). Un adaptateur (C) est disponible pour brancher la fiche avec mise à la terre dans une prise de courant à deux trous. La cosse de mise à la terre verte sur l'adaptateur doit être raccordée à une mise à la terre permanente, par exemple un boîtier de prise de courant correctement mis à la terre. L'adaptateur ne devrait pas être utilisé si une prise de courant à trois trous est disponible.

INFORMATIONS RELATIVES À LA SÉCURITÉ



TÉLÉCOMMANDE

Cet appareil de classe B est conforme à la section 15 des réglementations de la FCC et est conforme à l'ICES-003 (Canada). Son fonctionnement est soumis aux deux conditions suivantes :

(1) Cet appareil ne doit pas provoquer d'interférences nuisibles et (2) cet appareil doit accepter toute interférence reçue, y compris des interférences pouvant provoquer un fonctionnement non désiré. Il n'existe aucune garantie que de telles interférences ne se produiront pas dans une installation particulière. Si cet appareil cause des interférences nuisibles à la réception des signaux de radio ou de télévision, ce qui peut être déterminé en allumant et en éteignant l'appareil, on recommande à l'utilisateur de tenter de corriger ces interférences par l'un des moyens suivants :

- Réorienter ou déplacer l'antenne de réception.
- Augmenter la distance entre l'équipement et le récepteur.
- Brancher l'équipement dans une prise se trouvant sur un circuit électrique autre que celui sur lequel est branché l'appareil.
- Communiquer avec le détaillant ou avec un technicien radio/télévision pour obtenir de l'aide. La télécommande nécessite une pile bouton au lithium (format CR2025), qui est fournie.

MISE EN GARDE: Toute transformation ou modification non expressément autorisée par l'autorité responsable de la conformité de l'appareil pourrait annuler l'autorisation de l'utilisateur à faire fonctionner l'appareil.

AVERTISSEMENT

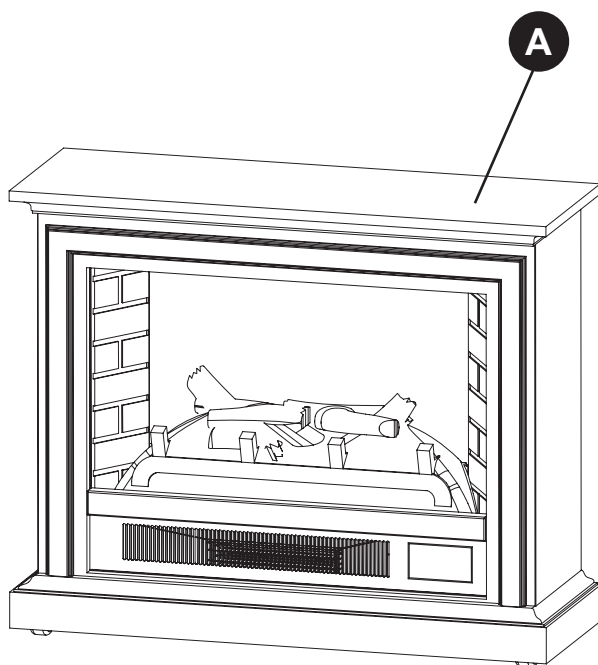
NE PAS utiliser de vieilles piles avec des piles neuves.

NE PAS utiliser de piles rechargeables à l'oxyde d'argent dans la télécommande.

NE PAS utiliser une combinaison de piles alcalines, ordinaires (carbone-zinc) et rechargeables (nickel-cadmium).

NE PAS jeter les piles dans un feu. Une mise au rebut inadéquate des piles peut provoquer des fuites ou l'explosion de celles-ci.

CONTENU DE L'EMBALLAGE



PART	DESCRIPTION	Quantity
A	Manteau (avec foyer encastré)	1

QUINCAILLERIE FOURNIE

AA



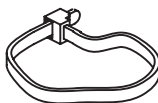
Support de
montage
Qté. 2

BB



Vis 1 3/8 po
Qté. 2

CC



Sangle de
nylon
Qté.1

DD



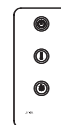
Dispositif
d'ancrage
au mur
Qté. 2

EE



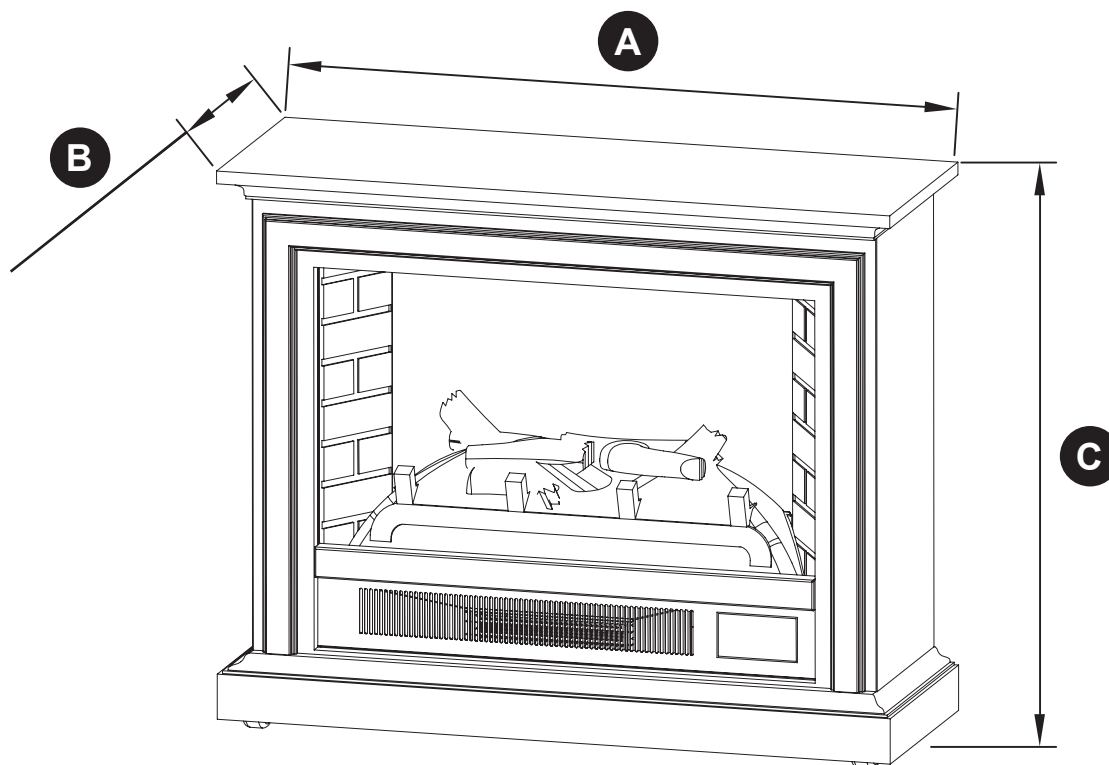
Vis 5/8 po
Qté. 2

FF



Télécommande
Qté. 1

DIMENSIONS DU FOYER



Réf.	GLF-5002-68/GLF-5002-50 GLF-5002-75/GLF-5002-205
A	806 mm (31,75 po)
B	313 mm (12,375 po)
C	792 mm (27.25 po)

CARACTÉRISTIQUES TECHNIQUES	
TENSION	120V C.A.
FRÉQUENCE	60HZ
AMPÉRAGE	12,5 A
PUISSANCE DU GÉNÉ- RATEUR D'AIR CHAUD	1350W

! INFORMATIONS RELATIVES À LA SÉCURITÉ

Veillez lire et comprendre tout le présent guide avant de tenter de monter, d'utiliser ou d'installer le produit. Si vous avez des questions concernant le produit, veuillez appeler le service à la clientèle au 1 877 447-4768, de 8 h 30 à 16 h 30 (HNC), du lundi au vendredi.

DÉGAGEMENT ENTRE L'APPAREIL ET LES MATÉRIAUX COMBUSTIBLES	
Côtés	61,5 mm (2 27/64 po)
Plancher	0 mm (0 po)
Dessus	508 mm (20 po)
Avant	914 mm (36 po)
Arrière	0 mm (0 po)

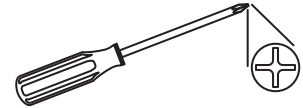
! Avertissement : N'installez pas l'appareil sur une tablette, une plateforme surélevée, un lit, des couvertures, des oreillers, etc. Gardez les matières combustibles comme les meubles, les draps, les papiers, les vêtements et les rideaux à au moins 914 mm (3 pieds) du foyer.

PRÉPARATION

Avant de commencer l'assemblage du produit, assurez-vous que toutes les pièces sont présentes. Comparez les pièces à la liste de contenu de l'emballage et de quincaillerie fournie précédemment. Si des pièces sont manquantes ou endommagées, ne tentez pas d'assembler le produit. Communiquez avec le service à la clientèle pour obtenir des pièces de rechange.

Temps d'assemblage estimé : 20 minutes

Outils nécessaires pour l'assemblage (non compris) : Tournevis cruciforme

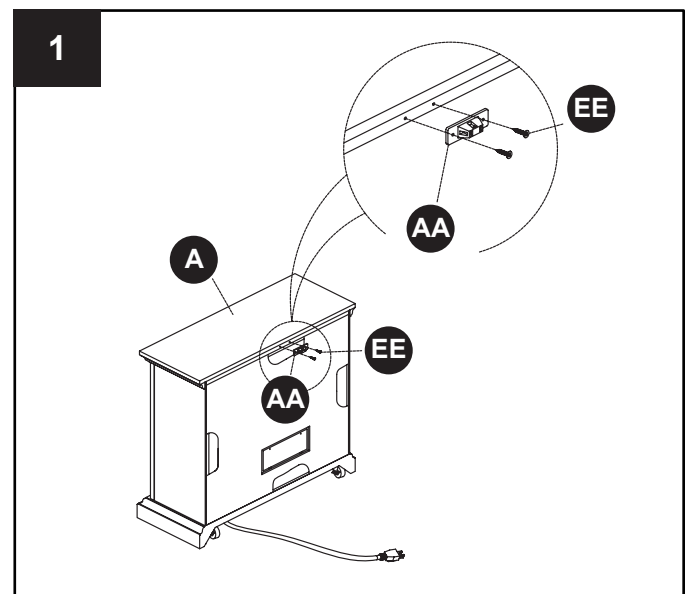


INSTRUCTIONS DE MONTAGE

Retirez soigneusement toutes les pièces de l'emballage et assurez-vous d'avoir en votre possession toutes les pièces répertoriées (reportez-vous à la liste des pièces à la page 5). **S'il vous manque des pièces, veuillez appeler le service à la clientèle au 1 877 447-4768**

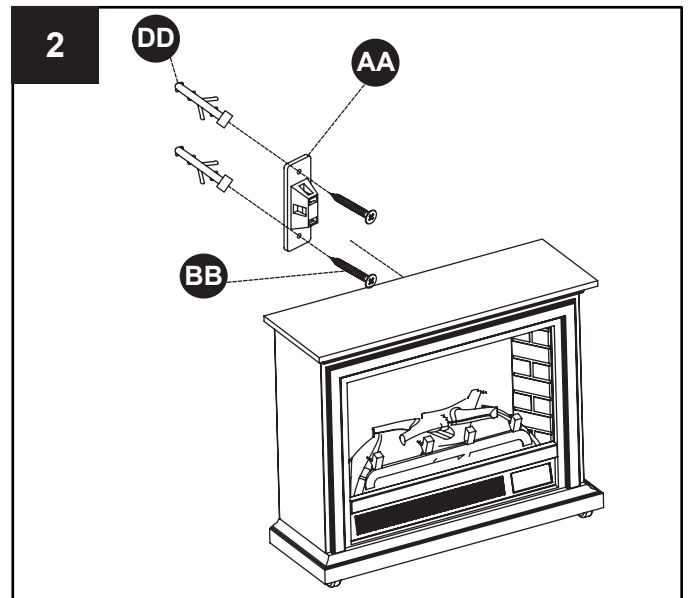
REMARQUE : Pour éviter d'égratigner le fini, assemblez le produit sur une surface douce et non abrasive, comme un tapis ou du carton.

1. Fixez un support de montage (AA) au rebord supérieur à l'arrière du manteau (A) en insérant deux vis (EE) à travers le support de montage (AA) dans les trous pré-perçés dans le manteau (A). Serrez à l'aide d'un tournevis.

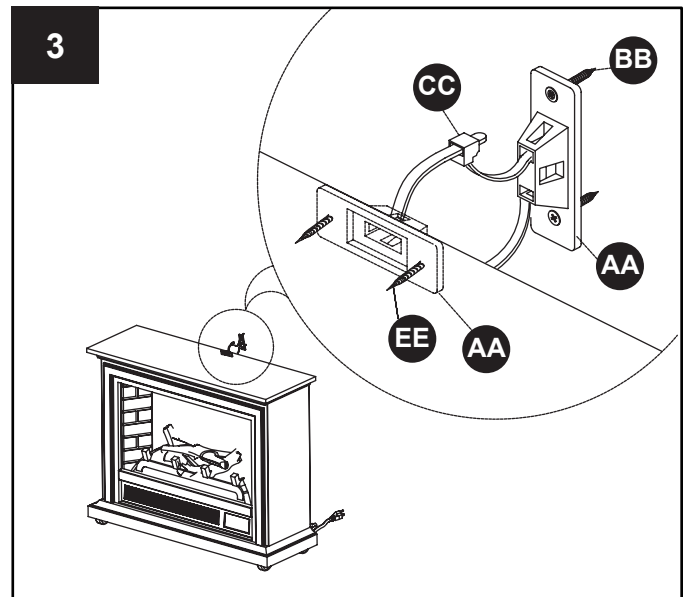


INSTRUCTIONS DE MONTAGE

2. Fixez un support de montage (AA) au mur à l'emplacement que vous avez sélectionné pour mettre le manteau (A) en positionnant le support de montage (AA) à environ la même hauteur que le support de montage (AA) fixé antérieurement au manteau (A). Insérez les vis (BB) dans le support de montage (AA) et dans un poteau mural. Si aucun poteau mural n'est présent, insérez les dispositifs d'ancrage au mur (DD) avant d'insérer les vis (BB). Serrez à l'aide d'un tournevis.



3. Placez le manteau (A) à une distance de 2 à 3 pouces du mur tout en gardant les supports de montage (AA) alignés. Glissez la sangle de nylon (CC) à travers l'ouverture de chaque support de montage (AA) et serrez la sangle de nylon (CC). Cela empêchera le manteau de basculer.



DANGER : Ce produit n'a qu'un effet dissuasif. Il ne peut en aucun cas se substituer à la supervision d'un adulte.

INSTRUCTIONS DE FONCTIONNEMENT

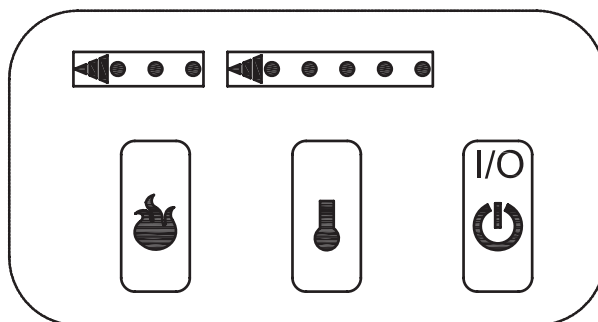
Lisez toutes les instructions avant l'utilisation

Assurez-vous que le grillage de la sortie d'air du générateur d'air chaud n'est couvert ou obstrué d'aucune façon et que l'appareil est sous tension.

REMARQUE : Lorsque la fonction de chauffage est activée pour la première fois, une légère odeur peut être présente. Cela est normal et ne devrait pas se produire de nouveau, sauf si le générateur d'air chaud n'est pas utilisé pendant une longue période.

Panneau de contrôle

Le panneau de contrôle est situé à l'avant du foyer.



Bouton d'alimentation principale : Ce bouton fournit l'alimentation pour toutes les fonctions de l'ensemble de bûches. Pour que les fonctions du foyer soient actives, le bouton d'alimentation principale doit être à la position ON (Marche), soit sur la télécommande, soit sur les commandes du foyer électrique.

Bouton de contrôle du générateur d'air chaud : Ce bouton contrôle la mise en fonction/hors fonction du générateur d'air chaud et 5 modes de température, de faible (Low) à élevé (High). Quand le générateur d'air chaud est allumé pour la première fois, il s'allume au réglage de température de pièce le plus bas. L'ensemble de bûches mémorise le réglage de chaleur le plus récent et lors d'un usage ultérieur, le générateur d'air chaud sera réglé à ce niveau, sauf si l'alimentation de l'appareil a été coupée. Chaque fois que le bouton de température est enfoncé, le réglage de température augmente, ce qui vous permet d'ajuster la température ambiante.

Fonction de verrouillage du générateur d'air chaud : Quand le foyer est allumé (ON), appuyez sur le bouton d'alimentation principale pendant 10 secondes. Le générateur d'air chaud sera verrouillé et les boutons de contrôle du générateur d'air chaud, tant sur le panneau de contrôle que sur la télécommande, seront désactivés. Avant le verrouillage du générateur d'air chaud, la flamme clignote 6 fois. Pour déverrouiller le générateur d'air chaud, appuyez sur le bouton d'alimentation principale pendant 10 secondes. Avant le déverrouillage du générateur d'air chaud, la flamme clignote 6 fois.

Bouton de contrôle de la flamme : Ce bouton contrôle la luminosité de l'effet de la flamme au moyen des réglages à High (élevé), Medium (moyen) et Low (faible). Quand le foyer électrique est allumé pour la première fois, la flamme est au réglage le plus élevé. L'ensemble de bûches mémorise le réglage de flamme le plus récent et lors d'un usage ultérieur, l'effet de flamme sera réglé à ce niveau, sauf si l'alimentation de l'appareil a été coupée. Chaque fois que le bouton Flamme est enfoncé, la luminosité diminue. La seule façon de complètement éteindre l'effet de flamme est d'appuyer sur le bouton d'alimentation principale.

REMARQUE : Après le fonctionnement du foyer, lorsque vous éteignez l'appareil, le ventilateur (et non le générateur d'air chaud) continuera de fonctionner pendant environ 1 minute afin de refroidir l'intérieur de l'appareil. Pendant cette période, vous pourriez sentir de l'air frais sortir du ventilateur. Cela est normal et ne nécessite aucune intervention. Le ventilateur s'arrête lorsque l'intérieur de l'appareil est refroidi.

INSTRUCTIONS DE FONCTIONNEMENT

La télécommande infrarouge doit être pointée en direction des commandes de l'ensemble de bûches et il ne doit pas y avoir d'obstruction pour que le signal soit transmis. La télécommande comporte les commandes nécessaires pour allumer et éteindre l'alimentation principale et le générateur d'air chaud. Si vous préférez utiliser les boutons de commande sur l'ensemble de bûches, ceux-ci se trouvent dans le coin inférieur droit de l'appareil. La disposition des boutons et de la télécommande est présentée dans les Figures 2 et 3, respectivement.

Branchez votre ensemble de bûches dans une prise d'alimentation de 15 A, 120 V.

1. Allumez l'alimentation. Des flammes apparaîtront sur la paroi derrière l'ensemble de bûches.
2. Retirez la languette de plastique de l'intérieur du compartiment à piles pour activer la télécommande.
3. Pointez la télécommande directement vers les boutons de contrôle de l'ensemble de bûches et utilisez les boutons pour faire fonctionner l'ensemble de bûches.

Bouton d'alimentation principale (1) :

Ce bouton fournit l'alimentation pour toutes les fonctions du foyer électrique. Pour que les fonctions du foyer soient actives, le bouton d'alimentation principale doit être à la position Marche, soit sur la télécommande, soit sur les commandes du foyer électrique.

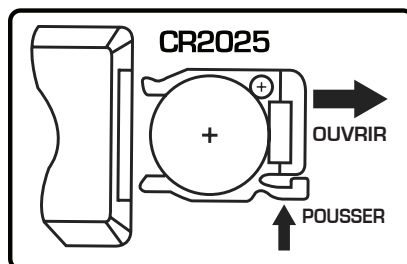
Bouton de contrôle du générateur d'air chaud (2) :

Ce bouton contrôle la mise en fonction/hors fonction du générateur d'air chaud et 5 modes de température, de faible (Low) à élevé (High). Quand le générateur d'air chaud est allumé pour la première fois, il s'allume au réglage de température de pièce le plus bas. L'ensemble de bûches mémorise le dernier réglage de chaleur. Lors d'un usage ultérieur, le générateur d'air chaud sera réglé à ce réglage, sauf si l'alimentation de l'appareil a été coupée. Chaque fois que ce bouton est enfoncé, le réglage de température augmente, ce qui vous permet d'ajuster la température ambiante.

Bouton de contrôle de la flamme (3) :

Ce bouton contrôle la luminosité de l'effet de la flamme au moyen des réglages à High (élevé), Medium (moyen) et Low (faible). Quand l'ensemble de bûches est allumé pour la première fois, la flamme est au réglage le plus élevé. L'ensemble de bûches mémorise le dernier réglage de flamme. Lors d'un usage ultérieur, l'effet de flamme sera réglé à ce niveau de luminosité, sauf si l'alimentation de l'appareil a été coupée. Chaque fois que le bouton Flamme est enfoncé, la luminosité diminue. La seule façon de complètement éteindre l'effet de flamme est d'appuyer sur le bouton d'alimentation principale.

Procédure de remplacement
des piles : (Format CR2025)



▼ LIBÉRATION

La lengüeta plástica dentro del compartimento de la batería DEBE ser retirada antes de operar el control remoto.

(Lengüeta de tirar)

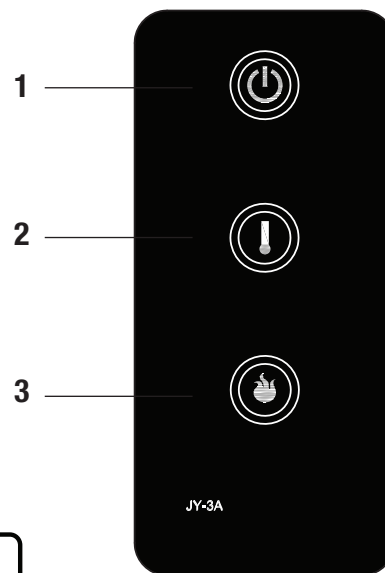


Figura 3

! **IMPORTANT:** Dans des conditions d'utilisation normales, si l'alimentation est interrompue lors d'une panne électrique ou l'appareil est débranché du mur lorsqu'il est en cours d'utilisation, les témoins de niveau de chaleur pourraient clignoter à répétition et l'appareil s'éteindra. Afin de réinitialiser l'appareil, débranchez-le pendant 10 minutes, puis rebranchez-le et utilisez-le normalement, selon les instructions fournies dans le guide d'entretien et d'utilisation.

Nettoyage

Éteignez toujours le foyer et débranchez le cordon d'alimentation de la prise avant de nettoyer le foyer. Utilisez un aspirateur ou un chiffon à épousseter pour enlever la poussière et la saleté sur le foyer et les zones des événements. Pour maintenir le fini, nettoyez à l'aide d'un chiffon doux légèrement humide et polissez avec un chiffon sec. N'utilisez jamais de nettoyeurs abrasifs, des vaporisateurs en liquide ou tout autre nettoyeur qui pourraient rayer la surface. Ne traînez jamais l'appareil sur le plancher. La tension causée par la traction pourrait causer le bris des pattes de l'appareil.

Information sur la vitre (certains modèles)

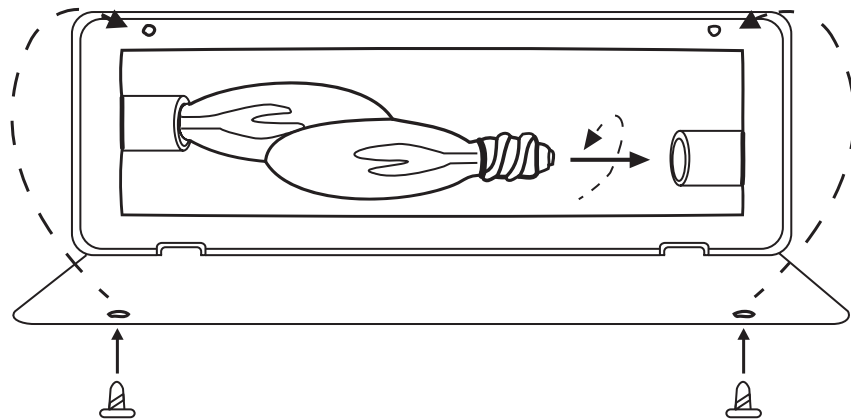
1. Il ne faut, en aucun cas, faire fonctionner ce produit si la vitre est brisée.
2. Ne fracassez pas ou ne frappez pas la vitre.
3. N'utilisez pas de nettoyeurs abrasifs pour nettoyer la vitre.
4. Ce produit utilise du verre trempé. Le remplacement de la vitre fournie par le fabricant devrait être effectué par un technicien agréé.

Inspection et remplacement des ampoules

L'effet de flamme est créé par deux ampoules de 40 W avec culot E-12 (petit). Utilisez uniquement ce type d'ampoule. Si l'effet de flamme ne fonctionne pas, l'ampoule est peut-être desserrée ou a été endommagée lors du transport.

! **AVERTISSEMENT :** Les ampoules deviennent très chaudes durant l'utilisation. Laissez les ampoules refroidir pendant au moins 10 minutes avant de les toucher.

Pour inspecter ou remplacer les ampoules, veuillez tout d'abord débrancher le cordon d'alimentation de la prise. Repérez le panneau d'accès à l'arrière du foyer. Retirez les vis et le panneau. Vérifiez les ampoules pour vérifier qu'elles sont bien serrées à la main et en état de fonctionner. Remplacez toute ampoule endommagée ou défectueuse. Réinstallez le panneau d'accès. Ne faites pas fonctionner ce foyer sans le panneau d'accès en place. Ne retirez pas le couvercle arrière de ce générateur d'air chaud. Il ne contient aucune pièce réparable.



AVERTISSEMENT : Ne dépassez pas 40 W par ampoule. L'utilisation d'une ampoule plus puissante peut provoquer un incendie et causer des dommages matériels ou des blessures.

SCHÉMA ÉLECTRIQUE

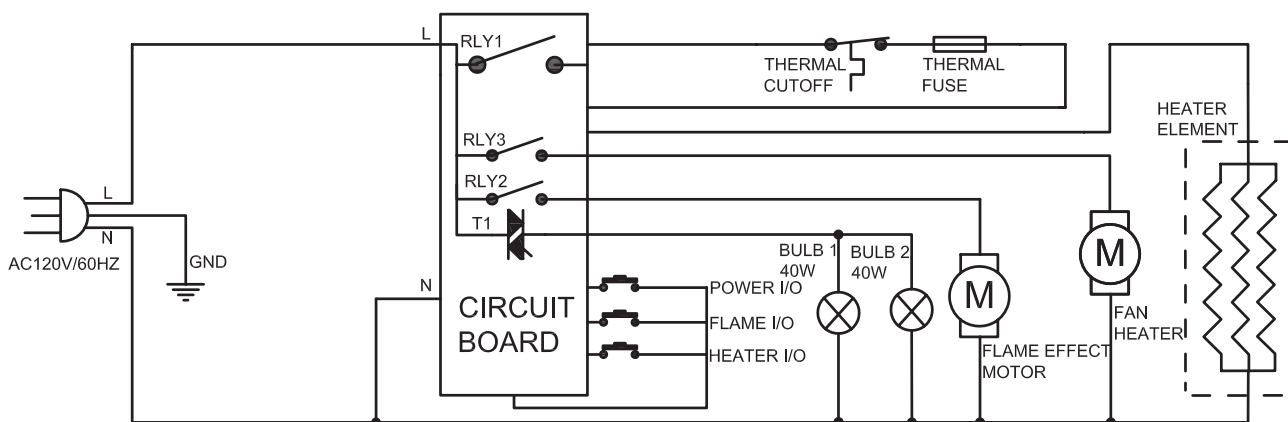
Entretien des moteurs

AVERTISSEMENT : Débranchez toujours l'appareil de l'alimentation électrique et laissez-le refroidir avant d'effectuer des travaux sur celui-ci.

Les moteurs utilisés dans le générateur d'air chaud et dans l'effet de flamme sont pré-lubrifiés afin d'augmenter la durée de vie des roulements et ne nécessite aucune nouvelle lubrification. Toutefois, un nettoyage et un époussetage périodiques des parties de l'appareil près de l'entrée et de la sortie d'air, ainsi que du ventilateur du générateur d'air chaud, est recommandé. Lorsque l'appareil est utilisé fréquemment ou continuellement, un nettoyage périodique doit être effectué plus souvent. Si le générateur d'air chaud produit en alternance de l'air chaud et de l'air froid, assurez-vous que le ventilateur n'est pas coincé et que des débris ne bloquent pas le passage de l'air. Si le ventilateur ne bouge pas librement, l'appareil doit être éteint et le ventilateur doit être remplacé immédiatement, pour éviter que l'appareil soit endommagé.

Toutes les réparations électriques et modifications au câblage de cet appareil devraient être confiées à un technicien agréé, conformément aux codes locaux et nationaux.

SCHÉMA DE CIRCUITS



AVERTISSEMENT : DÉBRANCHEZ L'ALIMENTATION AVANT DE RÉPARER L'APPAREIL.



DANGER



Débranchez l'alimentation avant de réparer l'appareil.



Toute modification au câblage de cet appareil doit être confiée à un technicien qualifié. Le branchement doit être effectué conformément aux codes locaux ou nationaux actuels; au Canada, le Code canadien de l'électricité CSA C22.1 et aux États-Unis, le Code électrique national ANSI/NFPA N° 70.



Lors de la réparation, du remplacement d'une pièce électrique ou du branchement, l'acheminement des fils, les codes de couleurs et les points.

DÉPANNAGE

Si vous avez des questions concernant le produit, veuillez appeler le service à la clientèle au 1 877 447-4768, de 8 h 30 à 16 h 30 (HNC), du lundi au vendredi.

PROBLÈME	CAUSE POSSIBLE	MESURE CORRECTIVE
Le générateur d'air chaud ne fonctionne pas.	<ol style="list-style-type: none">1. Le générateur d'air chaud n'est pas branché.2. Un disjoncteur s'est déclenché ou un fusible a sauté.3. L'interrupteur ON/OFF (marche/arrêt) est défectueux.4. Câblage lâche.	<ol style="list-style-type: none">1. Assurez-vous que le générateur d'air chaud est branché dans une prise électrique standard de 120 V.2. Vérifiez les autres appareils branchés sur le même circuit; l'idéal serait de brancher le générateur d'air chaud à un circuit dédié de 15 A.3. Appelez le service à la clientèle.4. Appelez le service à la clientèle.
Le voyant d'alimentation est allumé, mais l'effet de flamme n'est pas visible.	<ol style="list-style-type: none">1. Fonctionnement incorrect.2. Ampoule(s) déserrée(s).3. Ampoule(s) brûlée(s).	<ol style="list-style-type: none">1. Référez-vous aux instructions de fonctionnement.2. Serrez la ou les ampoule(s).3. Remplacez la ou les ampoule(s).
Le générateur d'air chaud ne fonctionne pas.	<ol style="list-style-type: none">1. Fonctionnement incorrect.2. L'interrupteur du générateur d'air chaud est défectueux.3. L'assemblage du générateur d'air chaud est défectueux.4. Câblage lâche.5. Événements sales ou obstrués.6. Le thermostat a atteint sa température.	<ol style="list-style-type: none">1. Référez-vous aux instructions de fonctionnement.2. Appelez le service à la clientèle.3. Appelez le service à la clientèle.4. Appelez le service à la clientèle.5. Débranchez l'unité. Nettoyez les événements et les dégager de tout débris. Attendez dix minutes, branchez l'unité de nouveau et allumez le générateur d'air chaud.6. Réglez le thermostat dans le sens horaire pour réchauffer la pièce.
Bruit excessif lorsque le générateur d'air chaud est en fonction.	<ol style="list-style-type: none">1. Ventilateur défectueux.2. L'assemblage du générateur d'air chaud est défectueux.3. Saleté/poussière sur le ventilateur.	<ol style="list-style-type: none">1. Appelez le service à la clientèle.2. Appelez le service à la clientèle.3. Référez-vous à la section sur la maintenance.

GARANTIE LIMITÉE D'UN AN

Si, au cours d'une période d'un an à compter de la date originelle de l'achat, cet article s'avère défectueux en raison d'un défaut de matériau ou de fabrication, nous nous engageons à le remplacer ou à le réparer, à notre discrétion, sans frais. Pour commander ces pièces ou obtenir un service sous garantie, appelez au 1 877 477-4768, de 8 h 30 à 16 h 30 (HNC), du lundi au vendredi. La présente garantie ne couvre pas les défauts résultant d'une utilisation non conforme ou anormale, d'une mauvaise utilisation, d'un accident ou d'une modification. Omettre de suivre toutes les instructions contenues dans le présent guide annule aussi cette garantie. GHP Group, Inc. ne sera en aucun cas tenu responsable pour tout dommage consécutif ou indirect. Les lois en vigueur dans certains états/provinces n'autorisent pas l'exclusion ou la limitation des dommages consécutifs ou indirects et par conséquent, la clause de limitation ou d'exclusion des dommages consécutifs ou indirects énoncée ci-dessus pourrait ne pas s'appliquer à vous. La présente garantie vous accorde des droits spécifiques reconnus par la loi et vous bénéficiez peut-être d'autres droits, qui peuvent varier selon l'état ou la province.

GHP Group, Inc.

6440 W. Howard St. • Niles, IL • 60714-3302
271 Massey Road • Guelph, ON • N1K 1B2

AVIS AU CLIENT

Ce meuble de qualité a été fabriqué en respectant les traditions. Les variations observées dans la teinte et dans le fini du bois pouvant découler des caractéristiques naturelles du bois, comme le grain et les veines minérales ne sont pas considérées comme des défauts. Puisque le bois continue de bouger et de vieillir, vous découvrirez de légères variations dans les teintes, même sur les diverses parties d'un même appareil. Des nœuds sains et de légères fissures en surface font partie de la personnalité d'un meuble en bois de qualité.

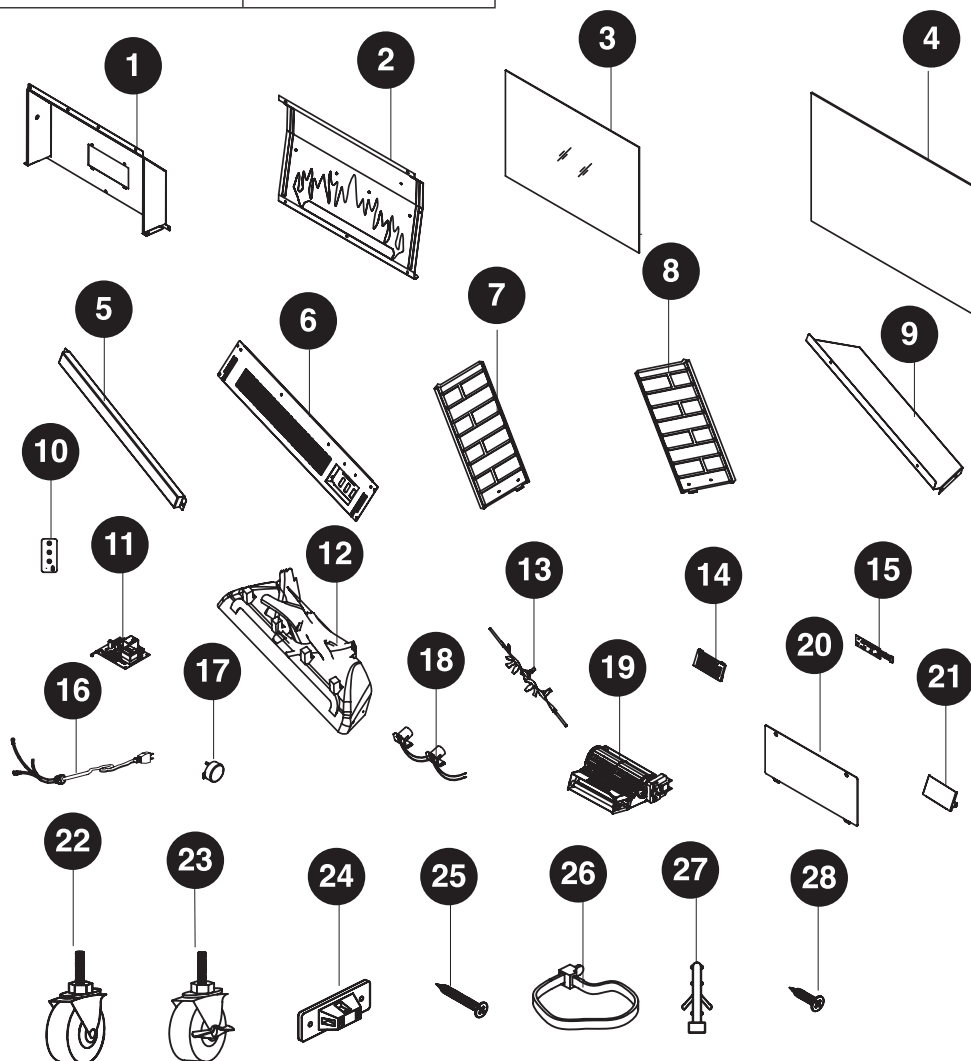
Nous vous recommandons d'adopter plusieurs habitudes qui permettront de conserver votre nouveau meuble en parfait état. Tout d'abord, pour maintenir le fini, vous devriez nettoyer à l'aide d'un chiffon doux légèrement humide et polir avec un chiffon sec. Ensuite, vous ne devriez jamais traîner un meuble en bois sur le plancher. La tension causée par la traction pourrait provoquer des fendillements sur le rebord ou causer le desserrement de certains joints.

Veillez communiquer avec nous pour toute question ou préoccupation que vous pourriez avoir concernant votre nouveau meuble.

LISTE DES PIÈCES DE RECHANGE

Pour des pièces de rechange, veuillez appeler le service à la clientèle au 1 877 447-4768, de 8 h 30 à 16 h 30 (HNC), du lundi au vendredi.

Pièce	Description	Pièce n°	Pièce	Description	Pièce n°
1	Panneau arrière	EF237916501AC	16	Cordon d'alimentation et connecteur	EF24900015AC
2	Panneau effet de flamme	EF237916502AC	17	Moteur synchrone	EFES323020ST
3	Vitre	EF237916503AC	18	Culot de lampe et support	EFES323021ST
4	Écran	EF237916504AC	19	Générateur d'air chaud	EF23022501X-14
5	Panneau décoratif avant	EF237916505AC	20	Panneau d'accès	EFES323008ST
6	Panneau avant	EF237916506AC-14	21	Porte de panneau de contrôle	EF23791AC-14
7	Panneau de brique côté	EF237916507AC	22	Roulette avant	20-12-486
8	Panneau de brique côté droit	EF237916508AC	23	Roulette arrière avec frein	20-12-487
9	Panneau du haut	EF237916509AC	24	Support de montage	20-09-518
10	Télécommande	EF33510AS	25	Vis 1 3/8 po	
11	Carte principale (carte de circuits imprimés)	EF237916510AC-14	26	Sangle de nylon	
12	Ensemble de bûches	EF237916511AC	27	Dispositif d'ancrage au mur	
13	Réflecteur effet de flamme	EF237916512AC	28	Vis 5/8 po	
14	Panneau de contrôle	EF237916513AC-14			
15	Carte de circuits imprimés du panneau de contrôle	EF237916514AC			



Imprimé en Chine