

KUT Prep Table

Salad & Sandwich Prep Table

MODELS

- KUT 48 2D PT



KUT 48 2D PT

STANDARD FEATURES

- Stainless-steel exterior front and sides.
- Complete stainless-steel interior with coved corner floors to meet NSF standards.
- “Ecomate” (GWP) (ODP) insulation, 2” thick.
- One-piece magnetic door gasket, removable without tools.
- Air flow underneath the pans with bottom panel.
- Force air into the lower compartment for complete air circulation throughout your unit.
- R-290 Hydrocarbon, to meet DOE’s Energy Conservation standards with very low contribution to global warming (ODP-0) (GWP-3).
- Hermetic compressor, self-contained refrigeration with epoxy coated evaporator.
- Automatic evaporator: Paper fins not utilized in the evaporation process.
- Standard with 1/6 size pans, 4” deep.
- Full length removable white Nylamid NSF, 10” cutting board.
- Electromechanical controller.
- Standard with 5” castors, front with brakes.
- Meets the NSF-7 standard for food safety.

ELECTRIC

- 115V / 60Hz / 1Ph
- NEMA 5-15P
- Cord Length: 10 ft.

TEMPERATURE

- 32 °F to 38 °F based on an external environment of 90 °F and 65% RH.



KUT Prep Table

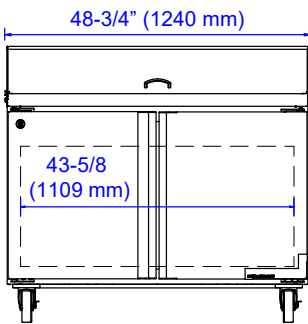
Salad & Sandwich Prep Table

KUT Prep Table

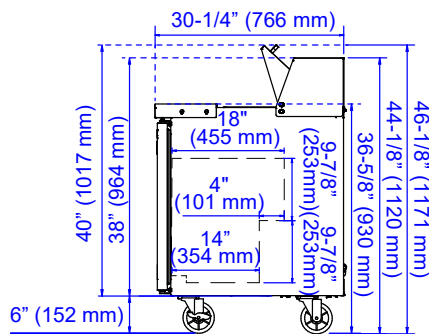
MODELS

KUT 48 2D PT

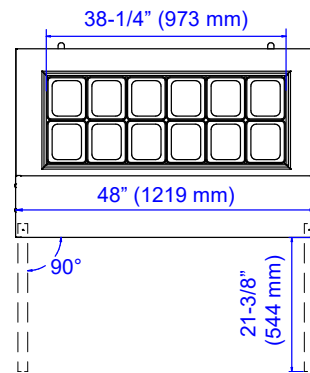
KUT 48 2D PT FRONT



KUT 48 2D PT SIDE



KUT 48 2D PT TOP



MODEL		KUT 48 2D PT
TECHNICAL DATA	Full Amp. Loads	2.5
	Compressor HP	1/3
	Refrigerant	R-290
	# of Doors	2
	Volume (cu. ft.)	11.8
	Ext. Width Overall	48 3/4"
	Ext. Depth Overall ²	31 1/8"
	Ext. Height Overall	46"
	# of Pans	12
	# of Shelves - Std.	2
	Shelf Size (L x D)	15" x 20 7/8"
	Shipping Weight (lbs.)	280

Depth does not include 1" for rear bumper.
Height with the lid closed (includes castors).

