

KOHLER®

Cater™
top-/under-mount single-bowl kitchen sink
K-RC21612-2PC

Features

- 36" minimum base cabinet width.
- Single bowl.
- One faucet hole with one accessory hole to the right.
- 9" depth provides generous workspace.
- Handcrafted, tightly angled fabricated corners maximize basin space.
- SilentShield® sound-absorption technology offers quieter performance.
- Accessories stack and slide on sink's beveled edge to enhance food prep and cleanup.
- Included accessories: stainless steel sink rack, bamboo cutting board and two-piece colander set.
- Includes sink drain and strainer.
- Includes installation hardware.

Material

- Handcrafted from 18-gauge stainless steel.
- Premium 18-gauge stainless steel.

Installation

- Top-mount or under-mount.

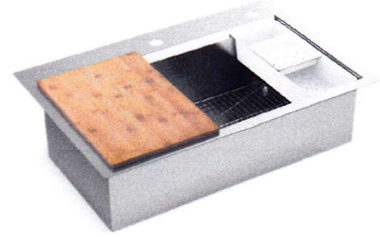
Optional Products/Accessories

K-9000 P-Trap

Included Components

Additional Components:

K-21613 cutting board
K-21614 colander set for kitchen sink
K-21616 Stainless steel sink rack
7400 Sink Strainer
Installation hardware



Codes/Standards

ASME A112.19.3/CSA B45.4

Lifetime Limited Warranty for KOHLER® Stainless Steel Sinks

See website for detailed warranty information.

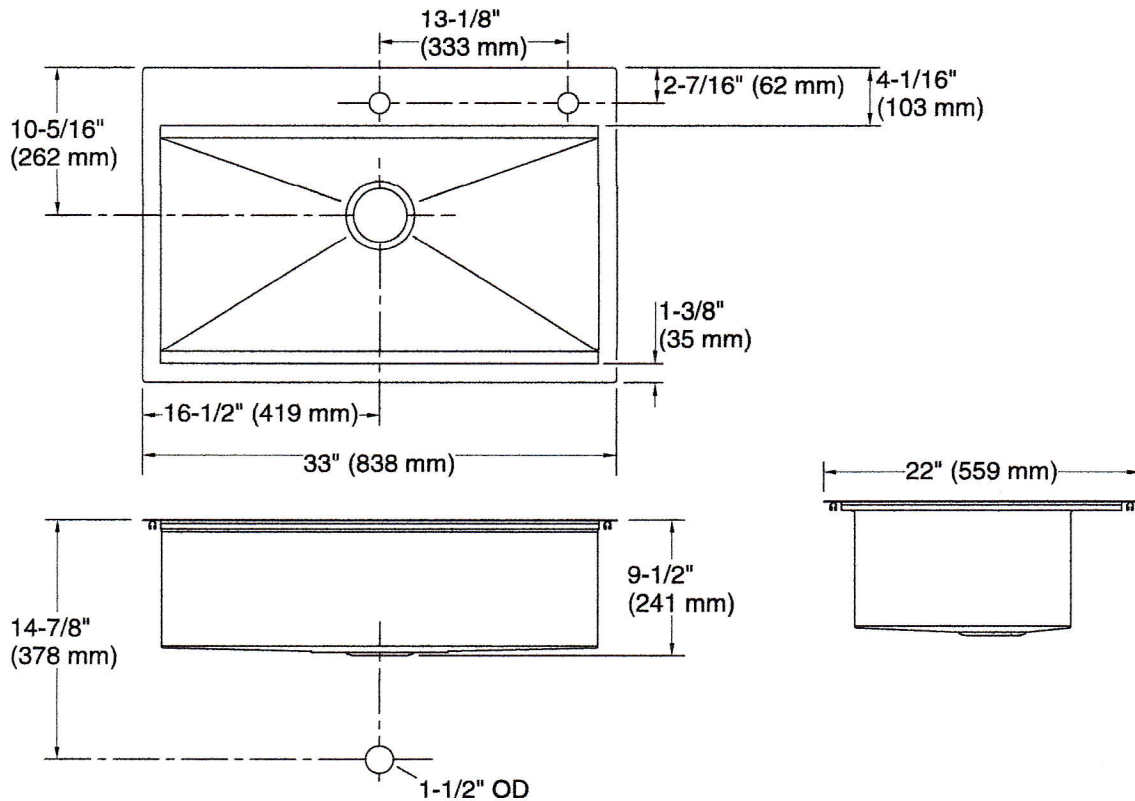
1-800-4KOHLER (1-800-456-4537)

Kohler Co. reserves the right to make revisions without notice to product specifications.

For the most current Specification Sheet, go to www.kohler.com.

12-24-2019 22:33 - US

THE BOLD LOOK
OF **KOHLER®**



Technical Information

All product dimensions are nominal.

Bowl configuration:	Single
Installation:	Top-mount, Under-mount
Min. base cabinet width:	36" (914 mm)
Bowl area (Only):	Length: 30-1/4" (768 mm) Width: 14-15/16" (379 mm) Bowl depth: 9-3/16" (233 mm) Water depth: 9-3/16" (233 mm)
Number of deck holes:	2
Faucet hole spacing:	4" (102 mm)
Drain hole:	3-3/4" (94 mm)
Template:	Top-mount/Under-mount, 1130821-7, required, included

Notes

Install this product according to the installation instructions.

NOTICE: Countertop manufacturer or cutter must use the cut-out template provided with the product, or a current one provided by Kohler Co. (call 1-800-4-KOHLER). Kohler Co. is not responsible for cutout errors when the incorrect cut-out template is used.