

BIN WAREHOUSE

Solutions Murales PROSLAT inc.
 225 Industriel blvd
 Chateaugay (QC) J6J 4Z2
 1 888 691-2944

US Patent No: 6,315,136B1 All rights Reserved
 International Patents Pending

12 TOTE HEAVY-DUTY – ASSEMBLY INSTRUCTIONS

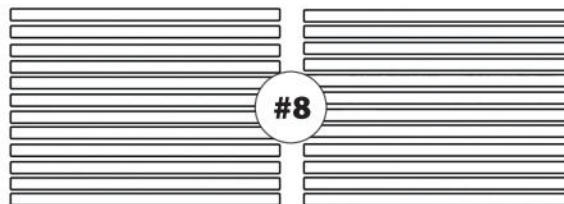
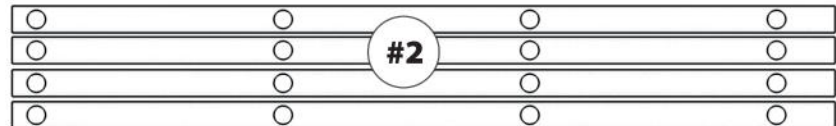
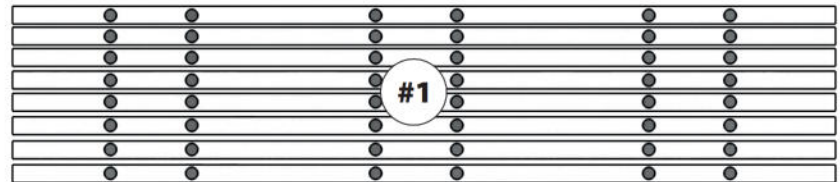
TOOLS REQUIRED

1. Powered Screwdriver with #2 Phillips-Head Tip



PARTS LIST

1. 8 x Horizontal crossbars
- 4 x Center verticals
- 2 x Left & right rear corner verticals
- 1 x Left front corner vertical
- 1 x Right front corner vertical
- 4 x Wall mount flanges
- 4 x Wall mount extensions tubes
- 24 x Horizontal slide rails



FASTENER LIST

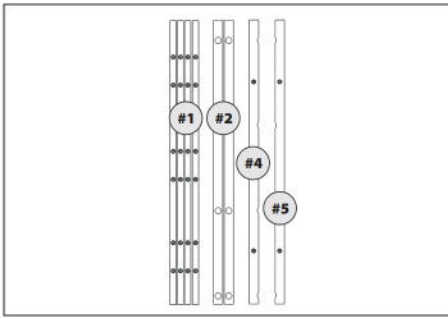
1. 110 x #08 x 3/4" Fastening screws
2. 8 x #08 x 1-1/2" Wall mount Extension tube fastening screws
3. 12 x #10 x 1-1/4" Wall mount flange screws
4. 12 x Plastic wall anchors



NOTE

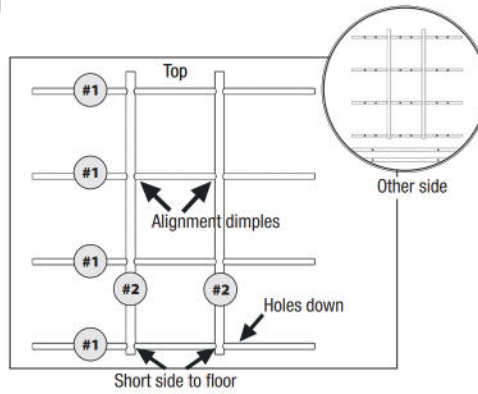
Separate all parts into groups (as shown) and familiarize. Read all instructions before beginning assembly.

FRONT GRID ASSEMBLY



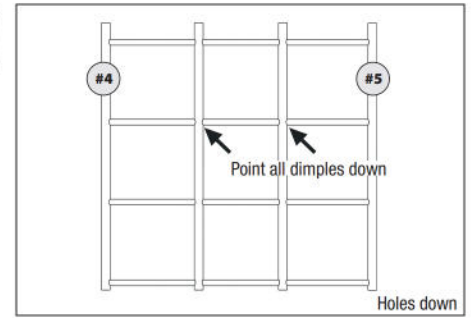
PARTS NEEDED:

- 4 of #1 2 of #2
- 1 of #4 1 of #5



STEP 1

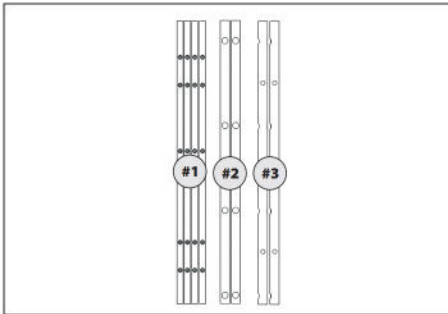
4 Horizontal crossbars (#1) inserted through 2 Center Verticals (#2) **Tip:** When installing second center vertical, stand assembly with horizontal crossbars placed on floor and push down second center vertical alignment dimples..



STEP 2

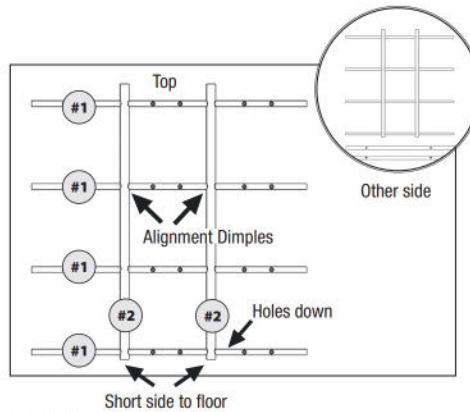
1 Left front corner vertical (#4) and 1 right front corner vertical (#5) Placed on horizontal crossbar.

REAR GRID ASSEMBLY



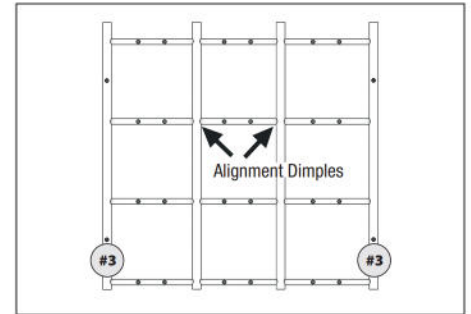
PARTS NEEDED:

- 4 of #1 2 of #2
- 2 of #3



STEP 1

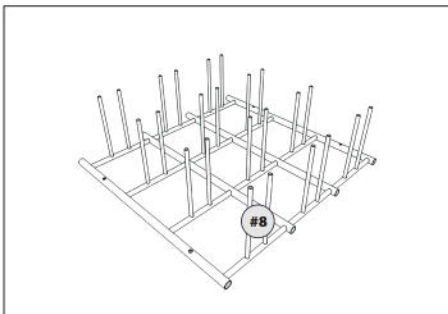
2 Center Verticals (#2) on 4 horizontal crossbars (#1) **Tip:** When installing second center vertical, stand assembly with horizontal crossbars placed on floor and push down second center vertical alignment dimples.



STEP 2

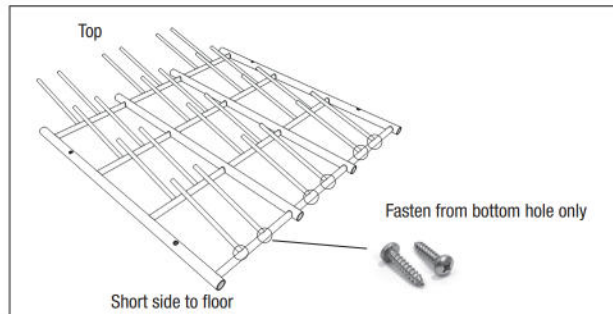
2 Left and right rear corner verticals (#3) placed on horizontal crossbars.

SLIDE RAIL ASSEMBLY TO REAR GRID



STEP 1

Horizontal slide rails (#8) inserted in rear grid.

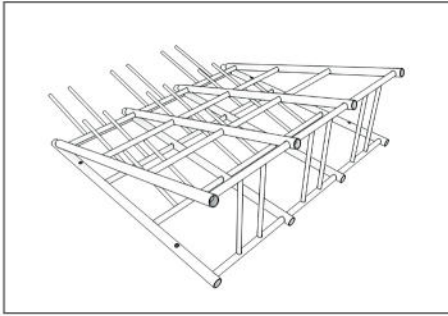


STEP 2

Fastening all 24 horizontal slide rails (#8) in rear grid using #08 x 3/4" fastening screws (#1).

Note: Fastener in bottom hole only

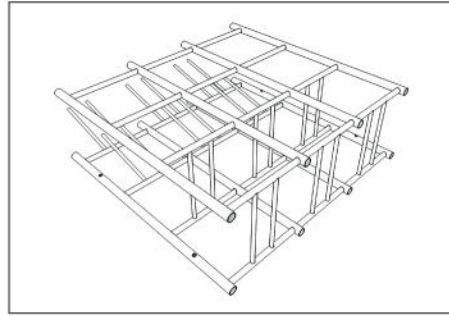
JOINING FRONT TO REAR GRID



STEP 1:

Insert bottom slide rails (#8) into front grid assembly and fasten (making sure fully inserted) using – #08 x 3/4" fastening screws (#1)

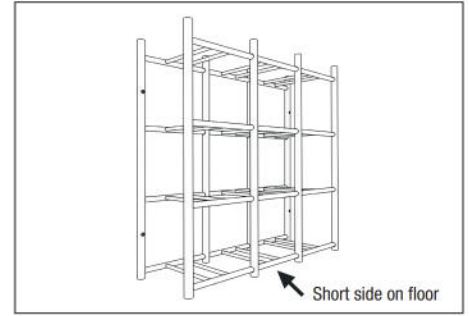
Note: Fasteners in bottom hole only



STEP 2:

Insert and fasten next 3 rows of slide rails to front grid using – #08 x 3/4" fastening screws (#1)

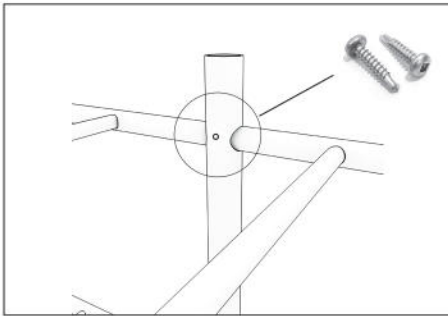
Note: Fasteners in bottom hole only.



STEP 3:

Turn unit upright and place firmly against wall where unit is to be mounted.

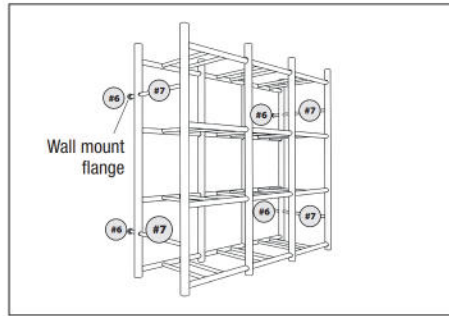
FASTENING VERTICALS & WALL MOUNT TUBES



STEP 1:

Fasten all verticals to horizontal. Make sure all joints are pressed firmly together and against alignment dimples. Screw together using 32 – #08 x 3/4 fastening screws (#1).

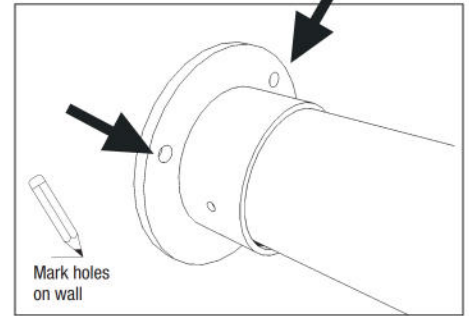
Note: 1 fastener per joint, each grid, front side only



STEP 2:

Move unit away from wall and insert 4 wall mount extensions tubes (#7) at 4 locations. Fasten with 8 – #08 x 1-1/2" extension tube fastening screws (#2).

Note: 1 Fasteners per joint front side only.

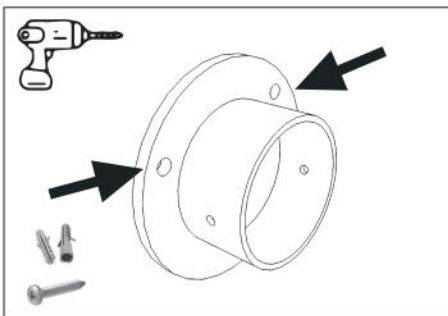


STEP 3:

Slide wall mount flanges (#6) into wall mount tubes (#7). Place unit against wall where it is to be mounted and mark wall flange holes.

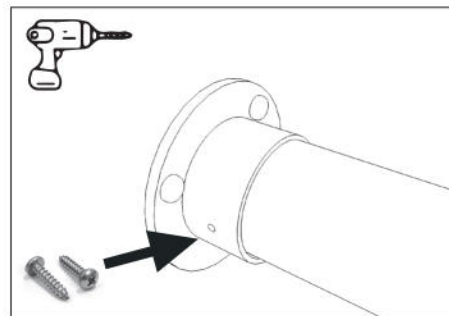
Note: Do NOT fasten at this time. Make sure unit remains in position at all 4 locations while marking holes.

FASTENING BIN WAREHOUSE TO WALL



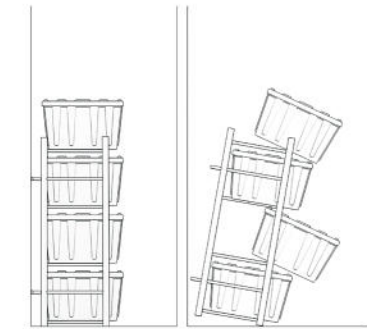
Move unit away from wall and remove wall flange from tube and mount flange to wall using 12 #10 x 1 1/4 wall mount flange screws (#3) and plastic wall anchors (#4) if needed.

Note: If mounted into masonry or drywall, drill three 1/4" holes to accept plastic wall anchors.



Slide unit back against wall while inserting all 4 wall mount extension tubes (#7) into wall mount flanges (#6) and fasten with 4 – #08 x 3/4 fastening screws. (#1).

Note: 1 screw per flange



Unit must be attached to wall to keep from tipping over!
Congratulations! We hope you enjoy your Bin Warehouse!