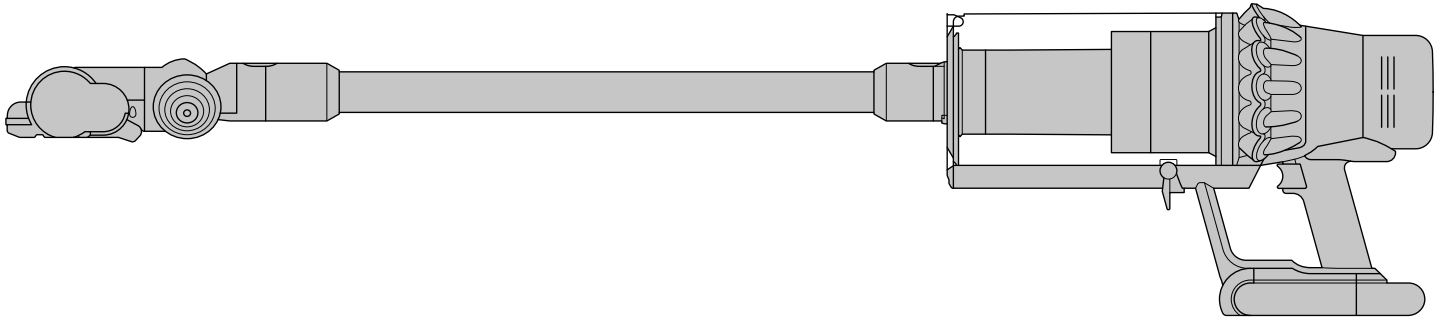


# dyson outsize

## User manual



---

In the box

Assembling your machine

Getting started

Caring for your floors

The LCD screen

Charging your machine

Changing your click-in battery

Emptying your bin

Cleaning your bin

Washing your filter

Washing your High Torque XL brush bar

Washing your Laser Slim Fluffy™ brush bar

Washing your Soft roller brush bar

Washing your tools

Using your High Torque XL cleaner head

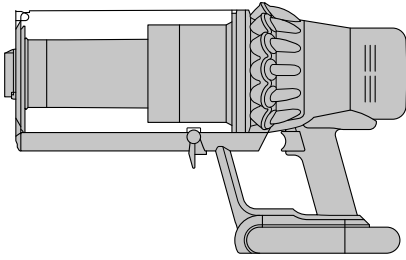
Looking for blockages

Clearing blockages from your Soft roller cleaner head

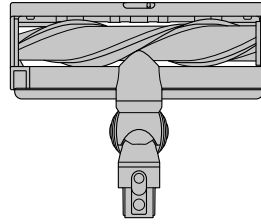
Clearing blockages from your Hair screw tool

# In the box

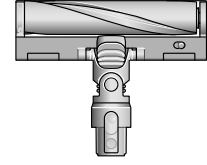
Some tools may not be included.  
You can buy additional tools at [Dyson.com](http://Dyson.com)



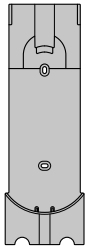
**Vacuum cleaner main body**



**High Torque XL cleaner head**  
Extra-wide 12-inch wide High Torque XL cleaner head with Dyson DLS™ (Dynamic Load Sensor) system.



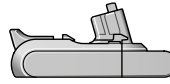
**Laser Slim Fluffy™ cleaner head**  
A precisely-angled laser makes invisible dust visible on hard floors.



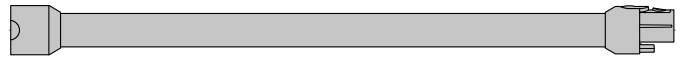
**Dock**  
Your Dyson vacuum drops into the wall-mounted charging dock, ready for your next clean.



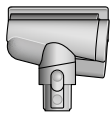
**Charger**  
Charges your vacuum with or without the dock.



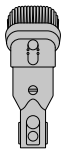
**Additional click-in battery**



**Wand**



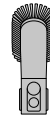
**Hair screw tool**  
Anti-tangle conical brush bar spirals hair off and into the bin. Motor-driven cleaning for smaller spaces.



**Combination tool**  
Two tools in one – brush and wide nozzle. For simple switching between tasks.



**Crevice tool**  
Designed for precise cleaning around edges and narrow gaps.



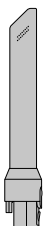
**Soft dusting brush**  
Enclosed in a skirt of soft nylon bristles for gentle, vacuum-assisted dusting of delicate objects and surfaces.



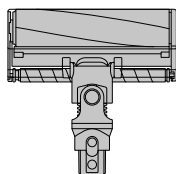
**Stubborn dirt brush**  
Stiff nylon bristles dislodge ground-in dirt from coarse carpets, high traffic areas and car interiors.



**Wand clip**  
Clips to your vacuum's wand to hold tools.



**Light pipe crevice tool**  
Crevice tool with LED lights lets you reach into dark, narrow spaces and see where you're cleaning.



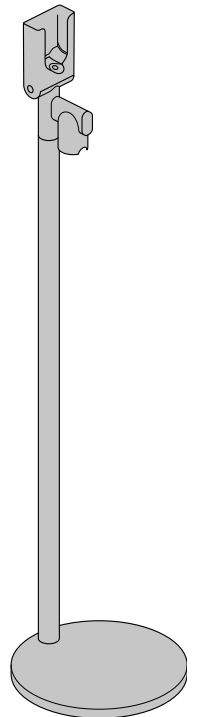
**Soft roller cleaner head**  
Engineered with soft woven nylon and anti-static carbon fibre, for hard floors.



**Extension hose**  
Adds up to 61cm of flexible reach to any tool attachment, to clean up high or down low in your home or car.

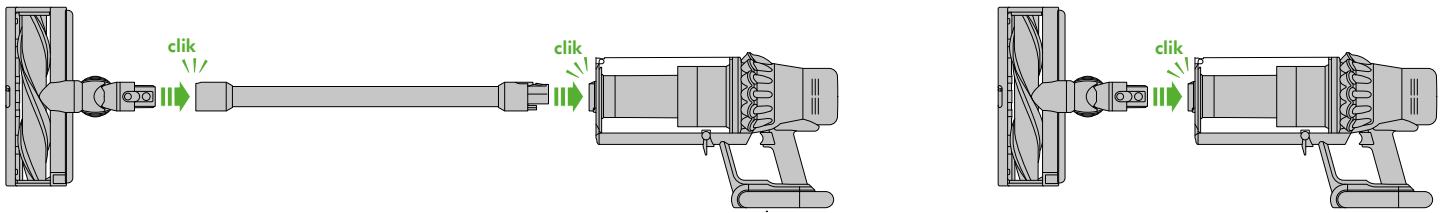


**Flexi-crevice tool**  
Extends and bends. For hard-to-reach places around your home and car.



**Grab and Go dock**  
Free-standing aluminium dock, engineered to store and charge your Dyson Outsize vacuum and tools.

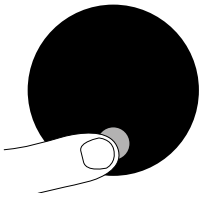
# Assembling your machine



You can register your machine using the serial number found on the bottom of your machine.

## Getting started

Fully charge both batteries.  
before using for the first time.



### Power modes

Your machine has three power modes for different tasks. Change power modes quickly using a single button.



Maximum run time for longer cleans all around your home.



The optimum balance of power and run time. Attach your High Torque XL cleaner head to activate Auto mode. Dyson DLS™ technology automatically changes motor speed between floor types.



Intensive cleaning for ground-in dirt.

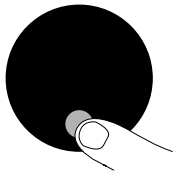
## Caring for your floors

Check that the underside of the cleaner head or tool is clean and free from any objects that may cause damage.

Before vacuuming your flooring, rugs, and carpets, check the manufacturer's recommended cleaning instructions.

The brush bar on your machine can damage certain carpet types and floors. Some carpets will fuzz if a rotating brush bar is used when vacuuming. If this happens, we recommend vacuuming without the motorised floor tool and consulting with your flooring manufacturer.

# The LCD screen



## Settings menu

Control the settings on your machine using the button.

To enter the settings menu, press and hold the button until the menu screen appears. Tap to scroll through the options available.

## Change language



To change the language on your screen, press the button and hold until the language list appears. Release the button.

Tap the button to scroll through the language list to your preferred language. Press and hold the button until the countdown ends.

A green tick will appear on the screen to show your language selection is complete.

To cancel your selection, release the button during the countdown.

## Change alert settings



You can turn the alert motor pulse off. Your motor will no longer pulse but alert information will continue to be displayed on the LCD screen when your machine needs your attention.

Turning off Alerts will not turn off the blockage alert pulsing. This is to ensure you clear any blockages, preventing damage to your machine.

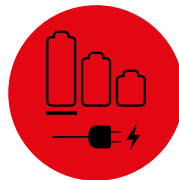
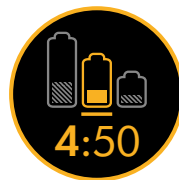
Tap to scroll through the settings menu. Select the 'Alerts' option.

Scroll to select on or off. Hold the button until the countdown ends and a tick appears on the screen. To cancel your selection, release the button during the countdown.

## Exit settings menu

To exit the settings menu. Tap to scroll through the selection menu. Select 'Exit menu'.

## Run time countdown



When the battery needs charging, your machine will pulse three times and a low run time icon will appear on the screen.

When your battery is empty, a red warning icon will appear on the screen.

## Battery health



To get the best performance and life from your battery, use Eco or Med mode.

Ensure both batteries are charged.

## Alerts

When the battery needs charging, your machine will pulse three times and a red warning icon will appear on the screen.

The alerts you might see are:

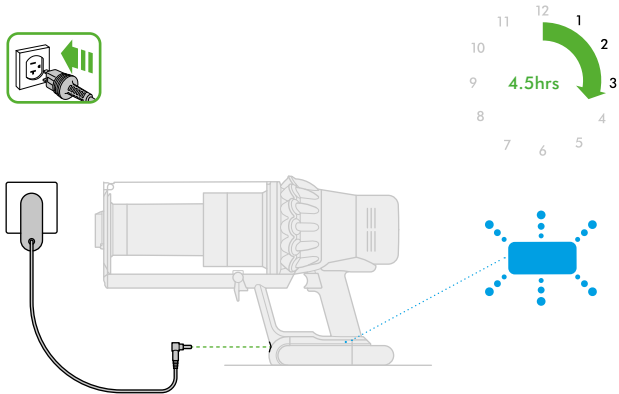
Filter – the filter isn't fitted correctly, or needs cleaning.

Blockage – your machine has a blockage that needs removing.



# Charging your machine

It's important to fully charge your new machine before using it for the first time, and after every clean. This is because the battery and monitoring system's algorithm 'learns' over time, and fully charging your machine helps it to more accurately calculate and display remaining run time.



Connect to charger either directly or in the dock.

The blue LEDs on either side of the battery will flash during charging.

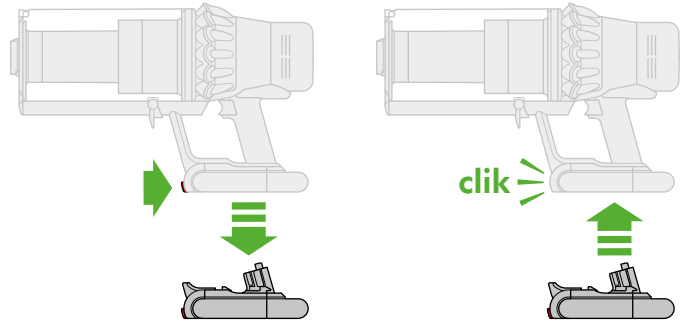
When the battery is fully charged, both LEDs will light for 5 seconds.

Your battery is fully charged when the display shows 100%.

Your machine won't operate if the ambient temperature is below 10°C (50°F). This is designed to protect both the motor and battery.

# Changing your click-in battery

Where you have additional batteries, we recommend that you alternate the batteries to maintain even performance.



## To remove a battery

Hold your hand under the battery to support it.

Press the red battery release button and slide the battery off the handle.

Place the battery on charge.

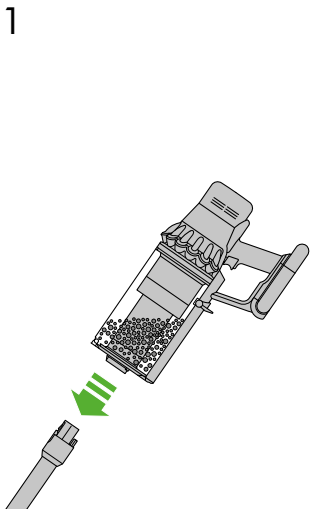
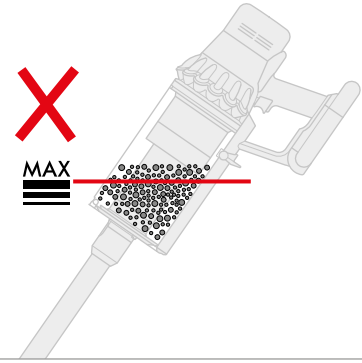
## To install a battery

Slide the battery onto the handle until it clicks securely in place.

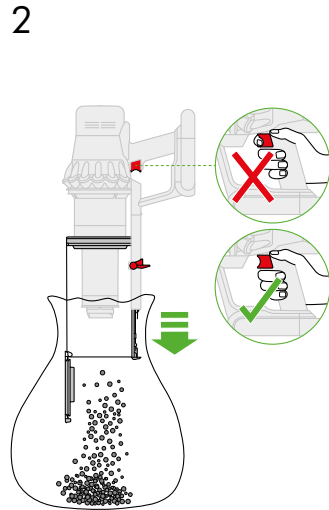
# Emptying your bin

Empty as soon as the dirt reaches the MAX level – don't overfill. Using the machine when the dirt is above the MAX line may cause the dirt to reach the filter and more frequent maintenance will be required.

Be careful not to pull the power trigger while the clear bin is open for emptying.



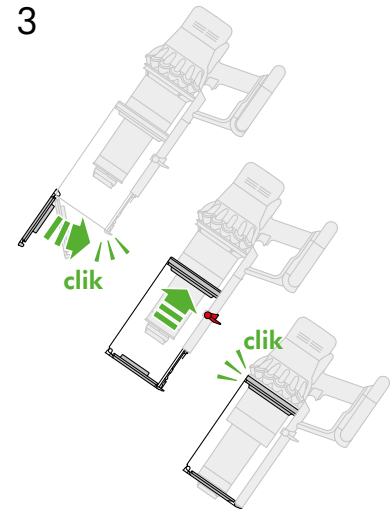
Press the red wand release button and pull the wand away from the bin.



To release the dirt: Hold the machine over the bin in a downwards position.

Firmly push the red bin release button. The bin will slide down, cleaning the shroud as it goes and the bin base will open.

The bin base won't open if the red bin release button isn't pushed down all the way.

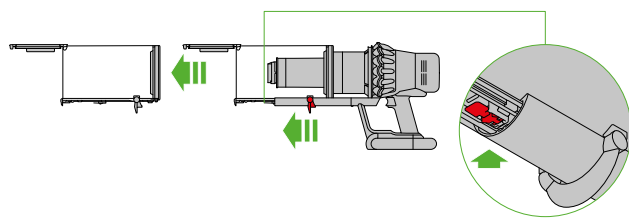


To minimise dust/allergen contact when emptying, cover the clear bin tightly in a dust proof bag while you empty. Remove the clear bin carefully from the bag. Seal the bag tightly and dispose.

Be careful not to pull the power trigger while the clear bin is open for emptying.

To close the clear bin: Push the bin base upwards until the clear bin and bin base click into place.

# Cleaning your bin

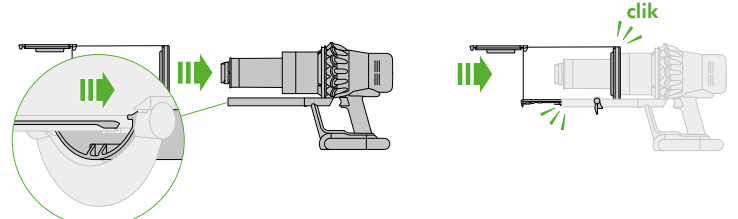


If it is necessary to clean your bin, empty the bin as shown in the 'Emptying your bin' section.

Press the red button located on the bin runner to release the bin and slide the bin off the runner.

Clean the bin with a damp cloth only.

Make sure that the bin and seals are completely dry before replacing.



To refit the bin, insert the spine on to the bin runner.

Close the bin by pushing the bin base upwards until the bin and bin base click into place.

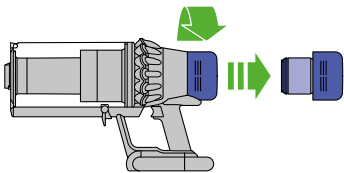
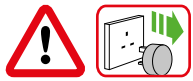
The bin isn't dishwasher safe and the use of detergents, polishes or air fresheners to clean the bin isn't recommended as this may damage your machine.

# Washing your filter

To always get the best performance from your machine, it is important to regularly clean the filters and check for blockages.

The LCD display will alert you when the filter unit needs washing. We recommend that you wash your filter at least once a month or when your machine alerts you.

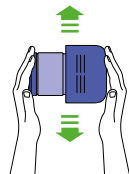
1



Remove the filter unit by twisting it anti-clockwise. Gently pull it away from the machine.

Tap the filter unit gently, to remove any excess dust and debris before washing it.

2



Wash the filter unit in cold water only.

Wash the pleated paper element of the filter unit first; hold the filter unit under a cold water tap with the foam element downwards and run cold water over the pleated paper.

3



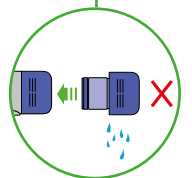
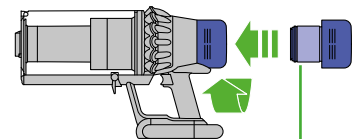
Wash the foam element of the filter unit next; hold the filter unit under a cold water tap with the pleated paper element downwards so that dirty water does not contaminate the pleated paper element. Run cold water over the inside and outside of the foam element and squeeze the foam gently to expel the dirt.

Repeat washing both parts of the filter unit until the water runs clear.

Gently shake the filter unit to remove any excess water and leave to drain with the foam element end facing up.

Leave the filter unit to dry completely in a dry environment with good airflow, for a minimum of 24 hours.

4



Check that the filter unit is completely dry.

To refit, position the filter unit in place on the main body and twist clockwise until it clicks into place.

The filter unit may require more frequent washing if vacuuming fine dust or if used mostly in Boost mode.

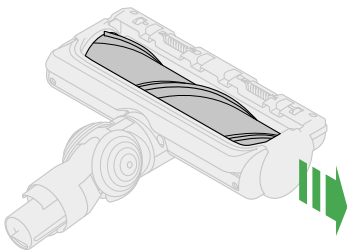
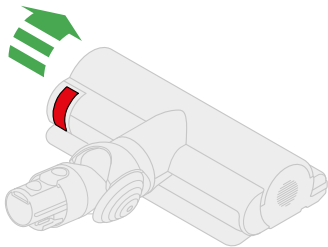
Don't put any part of your machine in a dishwasher, washing machine, tumble dryer, oven, microwave or near a naked flame.

# Washing your High Torque XL brush bar

To maintain optimum performance, check and wash your brush bar regularly.

Make sure your machine is disconnected from the charger and take care not to touch the trigger.

1



Don't put your brush bar in a dishwasher, washing machine, tumble dryer, oven, microwave or near a naked flame.

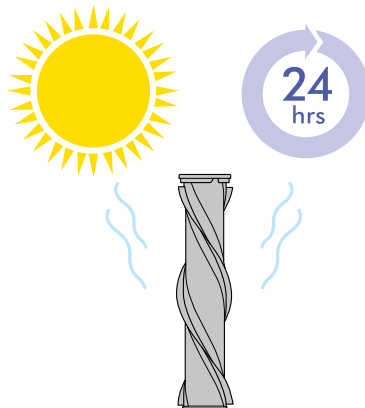
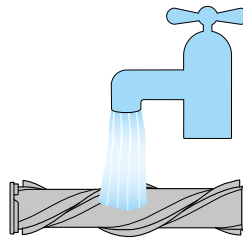
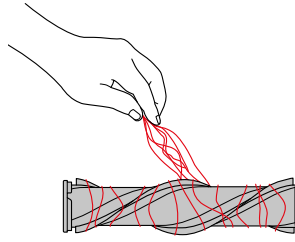
Only use cold water to wash your brush bar and don't use any detergents.

Lift the red catch on the cleaner head to release the brush bar.

Slide the brush bar out of the cleaner head.

Twist the end cap and remove it from the brush bar. Don't wash the end cap.

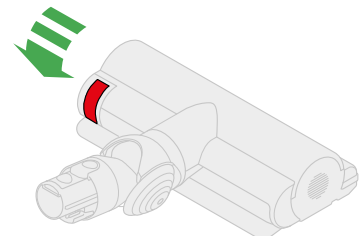
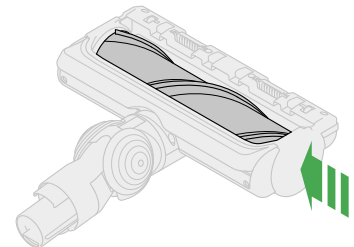
2



Hold your brush bar under cold tap water and gently rub to remove any lint or dirt.

Stand the brush bar upright and leave to dry completely. Make sure your brush bar is completely dry before refitting.

3



The cleaner head housing is not washable and should only be wiped over with a damp lint-free cloth.

# Washing your Laser Slim Fluffy™ brush bar

Your Laser Slim Fluffy™ cleaner head has a washable brush bar. To maintain optimum performance, check and wash your brush bar regularly.

Make sure your machine is disconnected from the charger and take care not to touch the trigger.

1

## Remove your brush bar

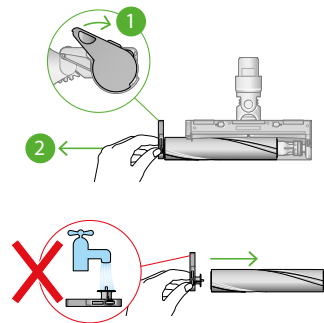
Don't put any part of your machine in a dishwasher or use detergents, polishes or air fresheners.

Press the cleaner head release button on the end of the wand. Place the cleaner head upside down.

Push the end cap up fully and pull the brush bar out of the cleaner head.

2

The end cap is located at the side of the cleaner head. Push this upwards to unlock the brush bar. Don't wash the end cap.



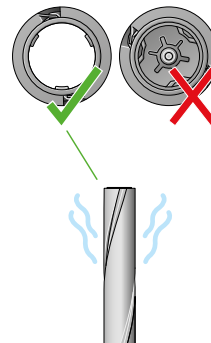
## Wash and dry your brush bar

Hold your brush bar under running water and gently rub to remove any lint or dirt.

Stand your brush bar upright as shown. Leave to dry completely for at least 24 hours.

3

The brush bar has an open end and a closed end. Stand upright, with the closed end facing upwards, to dry.



## Replace your brush bar

Before replacing, check that your brush bar is completely dry.

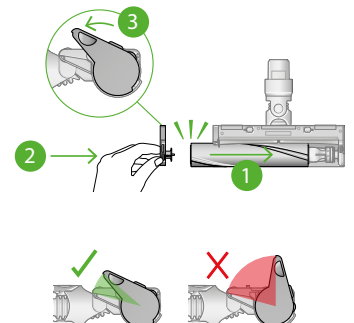
Reattach the end cap to your brush bar.

Slide your brush bar into the cleaner head.

Push the end cap back down to the closed position.

4

The end cap should be attached to the cleaner head at an angle less than 90°, any angle greater than this will not allow the end cap to close.

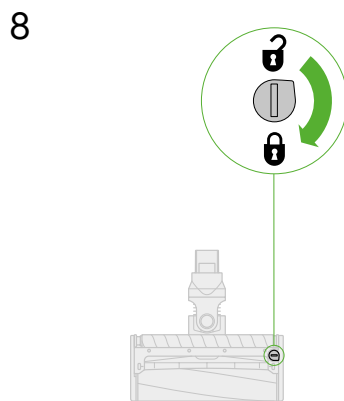
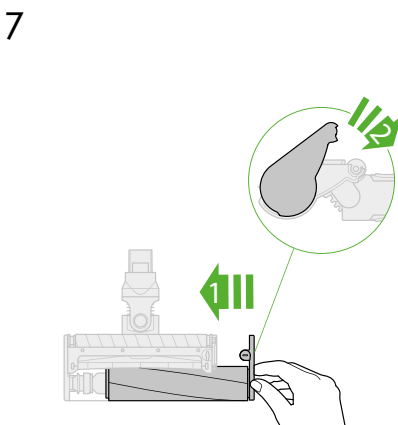
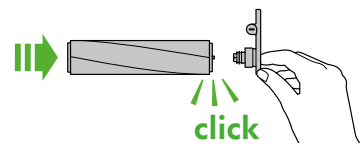
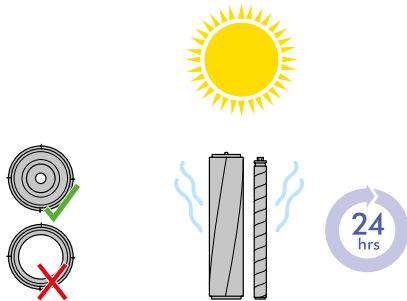
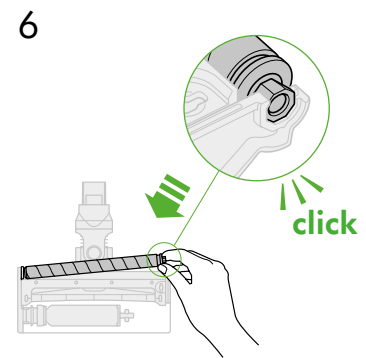
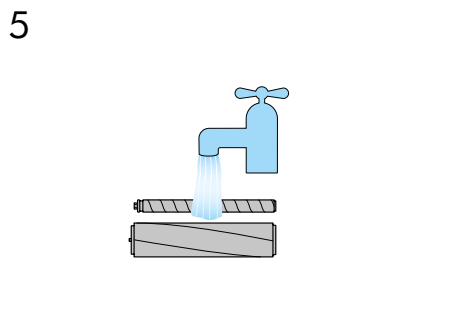
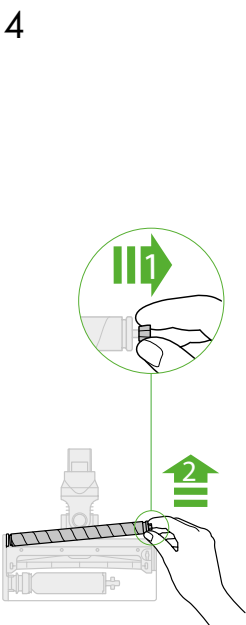
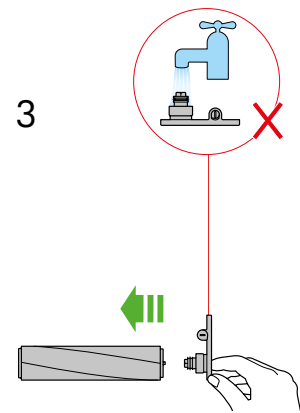
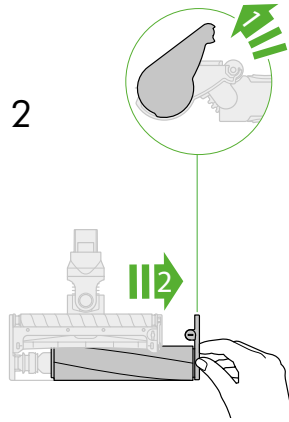
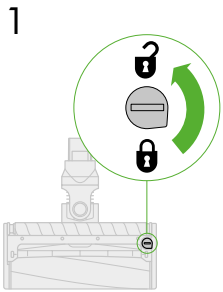
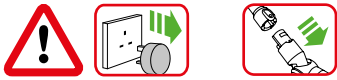


## Cleaning your laser lens

To maintain optimum performance, keep your laser lens clean. Only clean the lens when the cleaner head is not attached to your machine.

Use a soft, dry, lint-free cloth to wipe the lens.

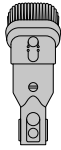
# Washing your Soft roller brush bar



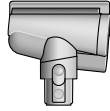
## Washing your tools



Crevice tool



Combination tool



Hair screw tool

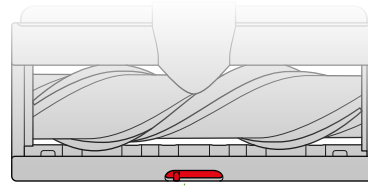
Don't put any part of your machine in a dishwasher or use detergents, polishes or air fresheners.

Wash with cold tap water.

Make sure your tool is completely dry before using.

Your Hair screw tool and Light pipe crevice tool are not washable. Wipe with a damp, lint free cloth, without touching the connector ends.

## Using your High Torque XL cleaner head



Your High Torque XL cleaner head has a slider control to adjust the suction of the cleaner head.

To select the suction required, move the suction control slider on top of the cleaner head.



Maximum suction for ground in dust and debris

For vacuuming durable floor coverings, hard floors and heavily soiled carpets and rugs.



Suction for dust and debris

For vacuuming lightly-soiled carpets, rugs and hard flooring.  
For vacuuming large debris such as peanuts or rice.



Suction for deep pile carpets and delicate flooring

For vacuuming deep pile carpets or rugs and flooring where you experience greater resistance.

For vacuuming lightly soiled floors, and delicate flooring such as vinyl, parquet and lino.

# Looking for blockages

Your machine is fitted with an automatic cut-out. If any part becomes blocked, the machine may automatically cut out.

The motor will pulse and the LCD screen will indicate that there is a blockage.

Be careful not to pull the power trigger while looking for blockages.

Make sure any blockages are clear and all parts are refitted before using your machine.

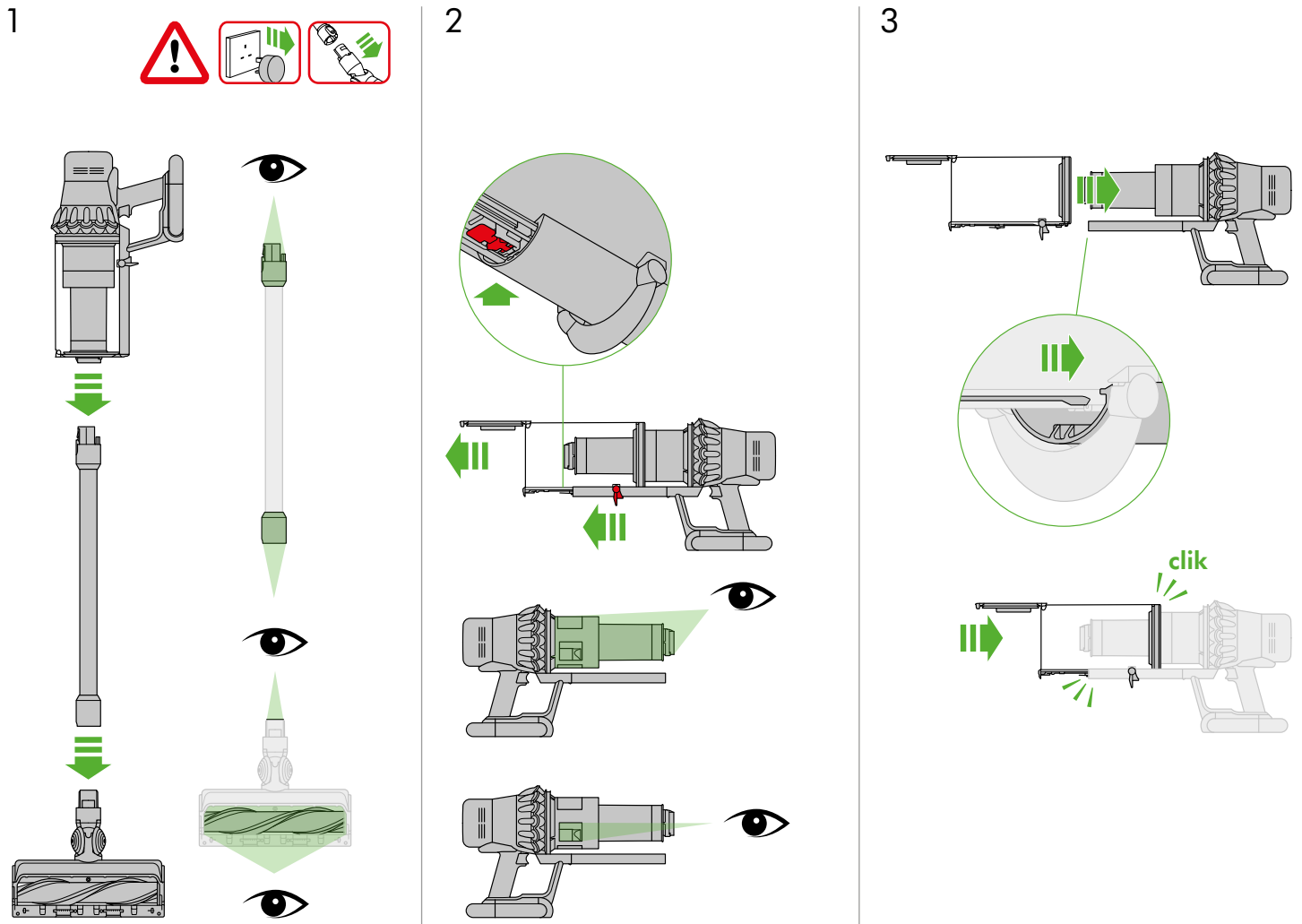
Beware of sharp objects when checking for blockages.

Clearing blockages is not covered by your guarantee.

If you can't clear an obstruction from the cleaner head, you may need to remove the brush bar. Use a coin to unlock the fastener, slide the brush bar out of the cleaner head and remove the obstruction. Replace the brush bar and securely tighten the fastener.

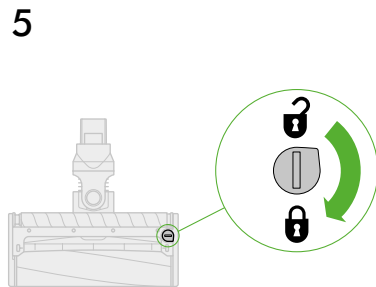
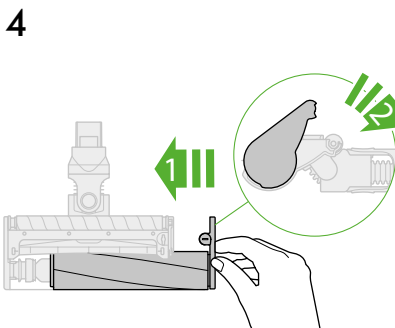
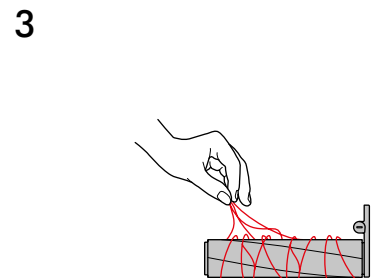
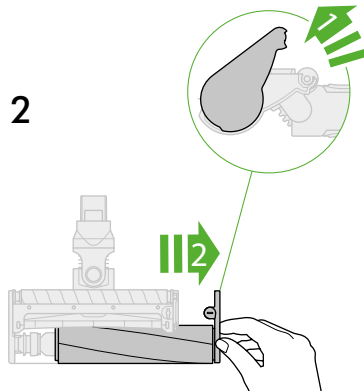
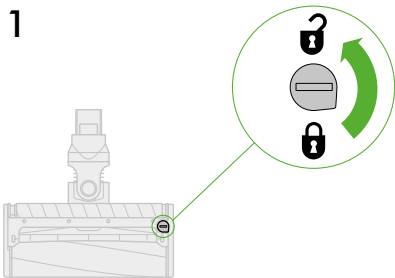
Make sure it is fixed firmly before using your machine.

Your machine has carbon fibre brushes. Take care if coming into contact with them, as they may cause minor skin irritation. Wash your hands after handling the brushes.





# Clearing blockages from your Soft roller cleaner head



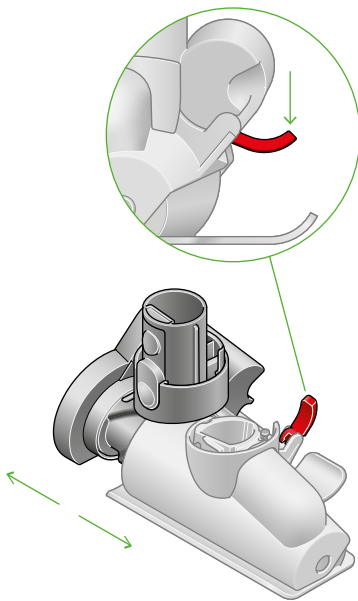
# Clearing blockages from your Hair screw tool

Your Hair screw tool doesn't have a washable brush bar. To maintain optimum performance, check your brush bar regularly and clear any obstructions.

Make sure your machine is disconnected from the charger and take care not to touch the trigger.

1

The curved locking lever located on the back of the tool.



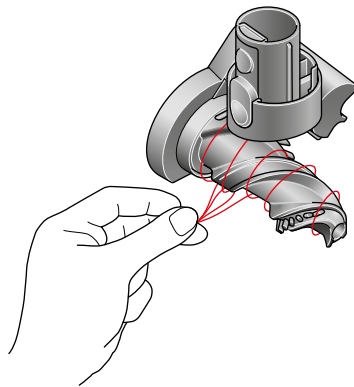
**Remove the cover and brush bar**  
Remove the Hair screw tool from the wand or machine.

Push the base plate open. Press the red lever down to release the cleaner head cover.

Pull the cleaner head cover off the main body of the tool.

2

Remove any hair or fibres that have been wrapped around the brush bar.



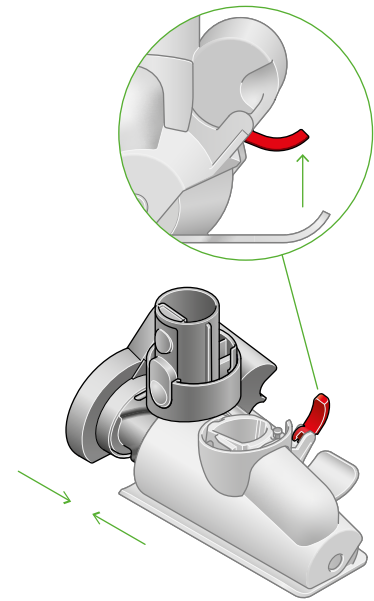
**Look for obstructions**  
Pull your brush bar firmly to remove it from the main body.

Check and remove any obstructions from all three parts of your Hair screw tool.

Your Hair screw tool isn't washable. Wipe over with a damp lint-free cloth.

Don't put any part of your machine in a dishwasher or use detergents, polishes or air fresheners.

3



**Re-assemble Hair screw tool**  
Put your brush bar back into position and press firmly until it clicks back into position.

Check the red locking lever is in the unlocked position. Align the cleaner head cover with the guide on the main body. Push it down until it clicks into position.

Push the red locking lever up until it clicks into position and push the base plate back into place.