



Photo Approx.

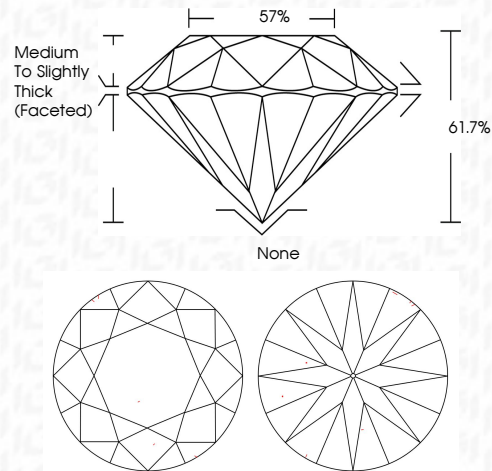
**ONE (1) NATURAL DIAMOND, ROUND BRILLIANT**

Measurements : 6.67 - 6.71 x 4.12 mm  
 Weight : 1.14 Carats  
 Color : I  
 Clarity : VVS 2  
 Polish/Symmetry : Excellent - Excellent  
 Cut : Excellent  
 Fluorescence : None

**TWENTY ONE (21) NATURAL DIAMONDS, ROUND BRILLIANT**

Total Estimated Weight : 0.30 Carat  
 Color : G - H  
 Clarity : VS1 - VS2  
 Polish/Symmetry : Good - Good

CENTER STONE GRADED PRIOR TO MOUNTING. BASED ON GIA REPORT# 5456841788. PRE-EXISTING INSCRIPTION ON GIRDLE PRESENT "GIA 5456841788". TOTAL ESTIMATED DIAMOND WEIGHT 1.44 CARATS. GEMSTONES GRADE EXPRESSED AS AN AVERAGE. THIS REPORT IS FOR AUTHENTICATION PURPOSES.



**COLOR**

D - F	G - J	K - M	N - R	S - Z	FANCY
Colorless	Near Colorless	Slightly Tinted	Very Light Color	Light Color	

**CLARITY**

IF	VVS <sup>1-2</sup>	VS <sup>1-2</sup>	SI <sup>1-2</sup>	I <sup>1-2</sup>
Internally Flawless	Very Very Slightly Included	Very Slightly Included	Slightly Included	Included



**IGI**



TO OBTAIN A PERSONALIZED REPLACEMENT COST REPORT FOR INSURANCE PURPOSES PLEASE SCAN THE QR CODE OR EMAIL DIRECTLY AT COSTCOMEMBER@IGI.ORG



TWO PLATINUM RINGS, STAMPED "PT 950" & LOGO , WEIGHING IN TOTAL APPROX. 7.70 DWT., CONTAINING TWENTY TWO (22) NATURAL DIAMONDS TOTAL ESTIMATED WEIGHT : 1.44 CARATS



IGI Report Number : 47J8809824  
 August 9, 2024

**DESCRIPTION OF ARTICLE**

TWO PLATINUM RINGS, STAMPED "PT 950" & LOGO, WEIGHING IN TOTAL APPROX. 7.70 DWT., CONTAINING TWENTY TWO (22) NATURAL DIAMONDS  
 TOTAL ESTIMATED WEIGHT : 1.44 CARATS



PLATINUM

**JEWELRY REPORT**

**ELECTRONIC COPY**

IGI Report Number : 47J8809824

August 9, 2024

**DESCRIPTION OF ARTICLE**

**TWO PLATINUM RINGS, STAMPED "PT 950" & LOGO, WEIGHING IN TOTAL APPROX. 7.70 DWT., CONTAINING:**

**TWENTY TWO (22) NATURAL DIAMONDS**

**TOTAL ESTIMATED WEIGHT : 1.44 CARATS**