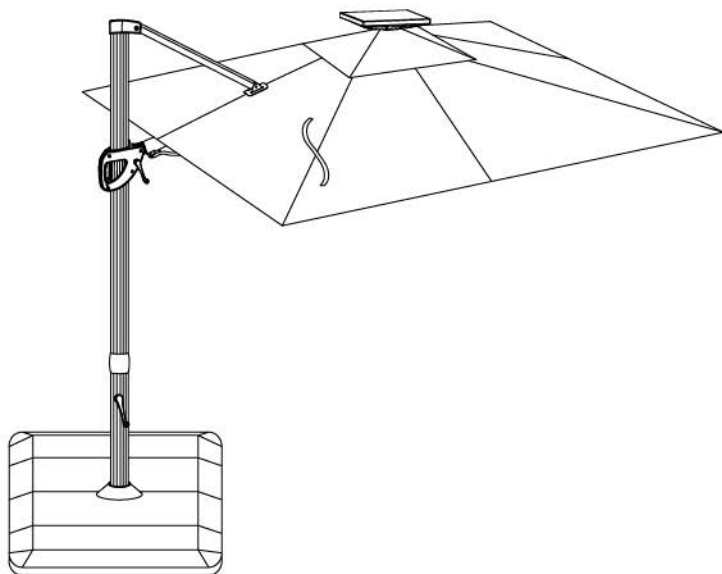




3.04 M / 10 FT Solar  
LED Cantilever  
Umbrella with Base  
Assembly, Care & Use Manual

ITM. / ART. 2327682, 2327702, 2327703

Model: # UMB-965258



**IMPORTANT, RETAIN FOR FUTURE REFERENCE:  
READ CAREFULLY**

For assistance with use, parts, or customer service, please contact:

***ATLeisure, LLC***

Customer Service is available by email at [customerservice@atleisure.com](mailto:customerservice@atleisure.com) or  
chat at <https://help.atleisure.com> 8 AM – 5 PM EST, Monday – Friday.

For outdoor residential household use only. Not for commercial use.

Designed in USA  
Made in China

## Contents

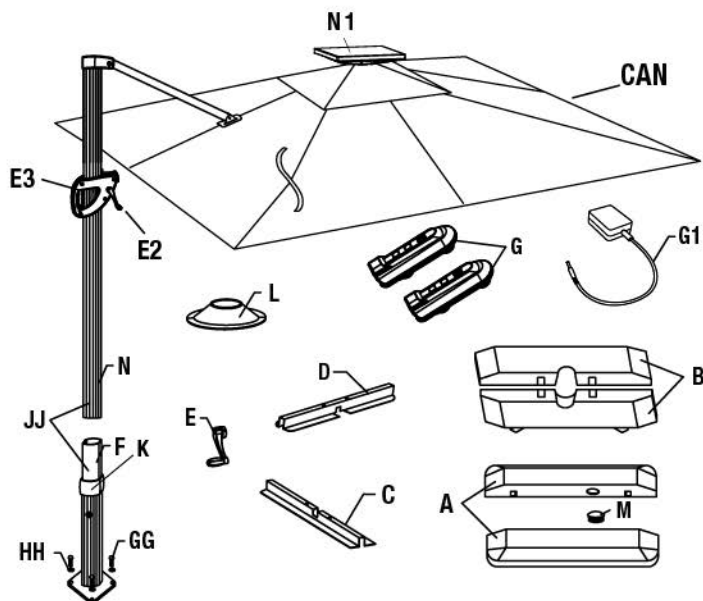
Preparation	2
Tools Required for Assembly (not included)	3
Hardware and Package Contents	3
Assembly Instructions	4-6
Operation Instructions	6-8
Lighting Operation & Battery Replacement	9-10
Battery Disposal	11
Care and Maintenance	11
Warning and Cautions	11
Warranty	12
Filing a Claim	12
Replacement Parts	13

## Preparation


Before beginning product assembly, completely inspect the umbrella and verify all hardware parts are present. Lay out all hardware contents on a clean, flat surface. Compare the parts with package contents list and diagrams below. If there is damage or any missing parts, do not (1) assemble umbrella, (2) fill bases with sand/water, or (3) return to place of purchase. Customer Service is available by email at [customerservice@atleisure.com](mailto:customerservice@atleisure.com) or chat at <https://help.atleisure.com> 8 AM - 5 PM EST, Monday - Friday.

Estimated Assembly Time: 40 minutes

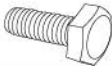



Tools Required for Assembly: Open-end wrench or adjustable wrench (not included)



## Tools Required for Assembly (not included)

Picture	Description	Quantity
	Adjustable Wrench	1
	Sand Bags (91 kg/200 lbs)	4

## Hardware Contents

Part	Picture	Description	Quantity
GG		Outer Hex Bolt M10-1.5x20 A2-70	4
HH		Flat Washer M10 A2-70	4
JJ		Inner Hex Bolt M8 A2-70	2
KK		Inner Hexagon Wrench M8	1

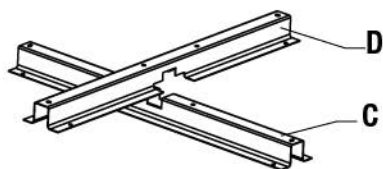
## Package Contents

Part	Description	Quantity
A	Blow Molded Base Outside	2
B	Blow Molded Base Inside	2
C	Lower Cross Leg	1
CAN	Canopy (on the umbrella frame)	1
D	Upper Cross Leg	1
E	360° Crank Handle	1
E2	Canopy Crank Handle	1
E3	Canopy Glide Handle	1
F	Holder Pole	1
G	Battery	2
G1	Power Supply	1
K	Pole Sleeve Collar	1
L	Pole Support Cap	1
M	Blow Molded Base Cap	4
N	Umbrella Frame (with canopy)	1
N1	Solar Panel	1

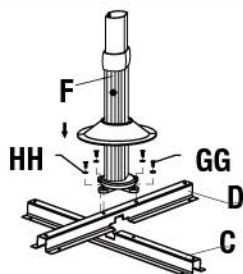
## Assembly Instructions



**CAUTION:** Do not use sharp tools or equipment such as a knife or scissors when removing the protective material, as it may damage the product. Be careful not to throw away small parts such as bolts, washers, etc. that may be wrapped in the protective materials.



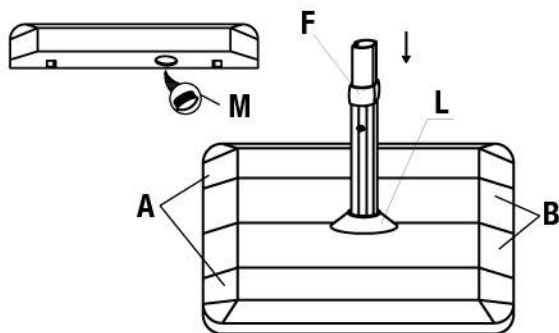
**Step 1:** Place lower cross leg (C) on ground, line up notches and place upper cross leg (D) over lower cross leg (C).



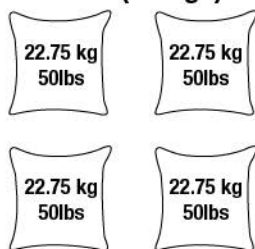
**Step 2:** Attach holder pole (F) to base by using bolts (GG) and washers (HH) (found in blister pack). Be careful not to over tighten. Adjust holder pole (F) to be sure it is positioned correctly on base. Finally, tighten with adjustable wrench or open-end wrench (not included).



**WARNING:** Before opening umbrella, complete assembly as instructed in manual. Fill each section of base with sand. Add WATER to wet the sand and continue to fill each section with water up to top. Cover hole with cap. It is recommended at least 91 kg (200 lbs) of weight be placed on cross legs to ensure stability. Failure to do so will result in a weight imbalance and cause umbrella to tip, causing damage and/or personal injury.



**Sand (4 bags)**



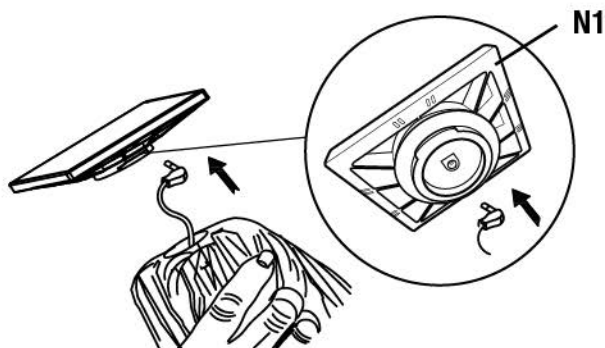
**91 kg / 200 lbs**

\*Bags not included

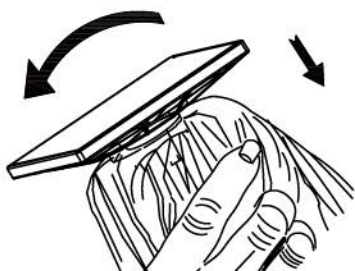
**Step 3:** Fill each base (A & B) with sand, cover with cap (M). Place pole support cup (L) onto holder pole (F) and lay on top of blow molded base (B).

## Assembly Instructions (cont.)

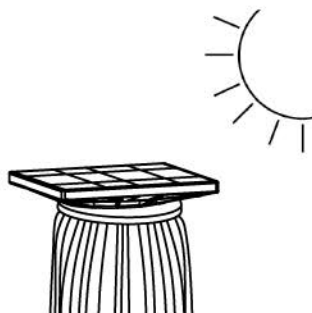
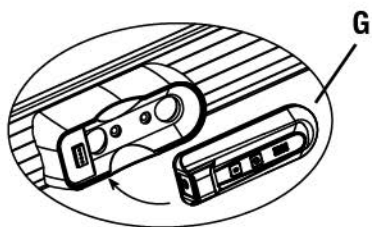
---



**Step 4:** Insert plug into socket under solar panel as shown above.



**Step 5:** Put solar panel on top of umbrella and hide the plug and wire inside the cavity at top. Then turn the solar panel clockwise. Do not over tighten.



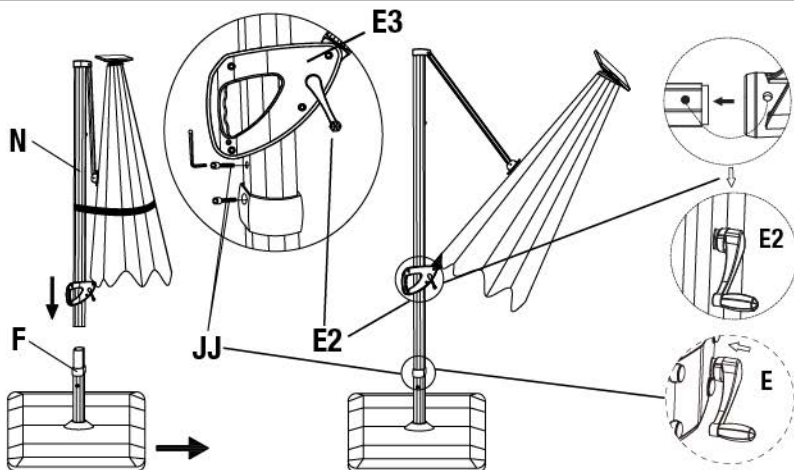
**Step 6:** Remove remote pack (G) from accessories kit and place into the housing located on the arm of the glide handle. Then put the solar umbrella in direct sunlight outdoors to charge the solar panel for 8 hours before the first use.

**MAKE SURE THE LED LIGHTS ARE OFF ON UMBRELLA TO ALLOW SOLAR PANEL TO FULLY CHARGE BATTERY.**

## Assembly Instructions (cont.)

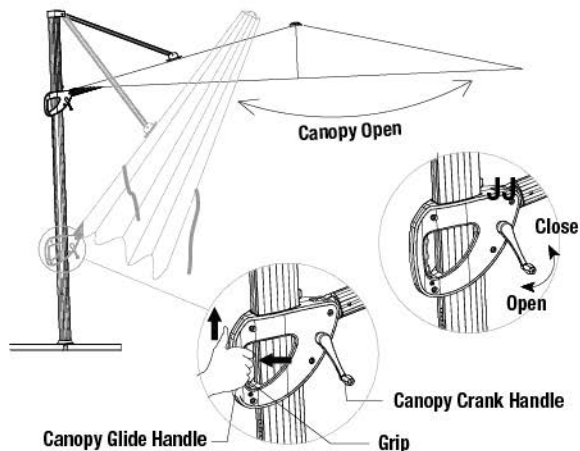


**CAUTION:** An additional person is suggested to assist with inserting the umbrella into the pole holder.



**Step 7:** Insert Umbrella Frame with the Canopy (N) onto Holder Pole (F). At the same time, slide holder pole collar onto holder pole. Tighten two Hex Bolts (JJ) into holder pole to secure the umbrella using the hexagon wrench (KK). Attach canopy crank handle (E2) onto canopy glide handle (E3) and 360° crank handle (E) to pole.

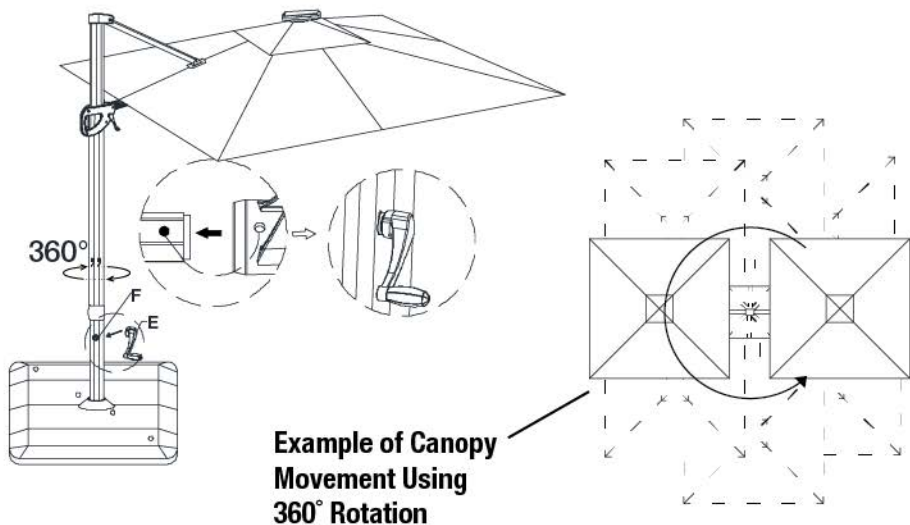
## Operation Instructions



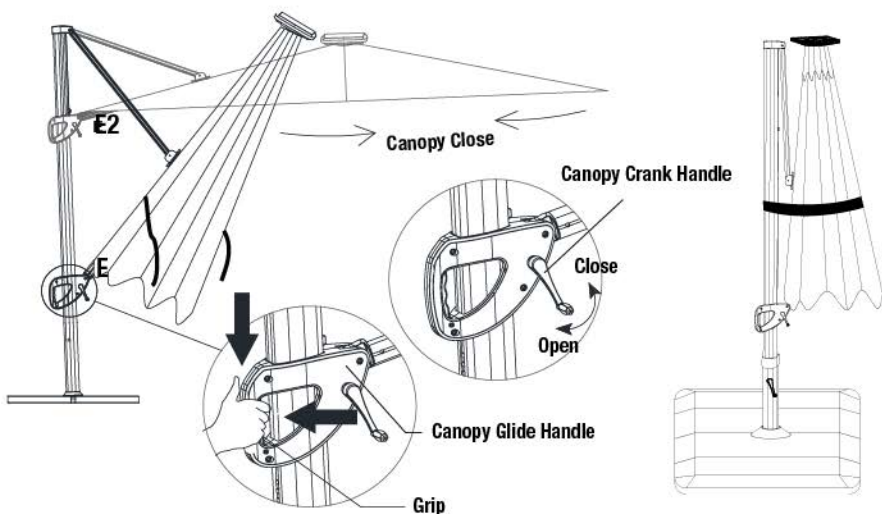
**Step 1:** Unfasten storage straps around canopy and pole.

**Step 2:** To open umbrella, squeeze grip on canopy glide handle (E3) and slide up or down on the pole to achieve desired canopy angle. Release grip to lock umbrella canopy frame into place. To open canopy, turn crank handle (E2) clockwise until canopy is fully open as pictured. Central hub light underneath canopy should be flush against the center pole.

## Operation Instructions (cont.)



**Step 3:** The canopy can be rotated 360°. To rotate umbrella, insert crank handle (E) onto holder pole (F) and turn the crank handle to the desired position.

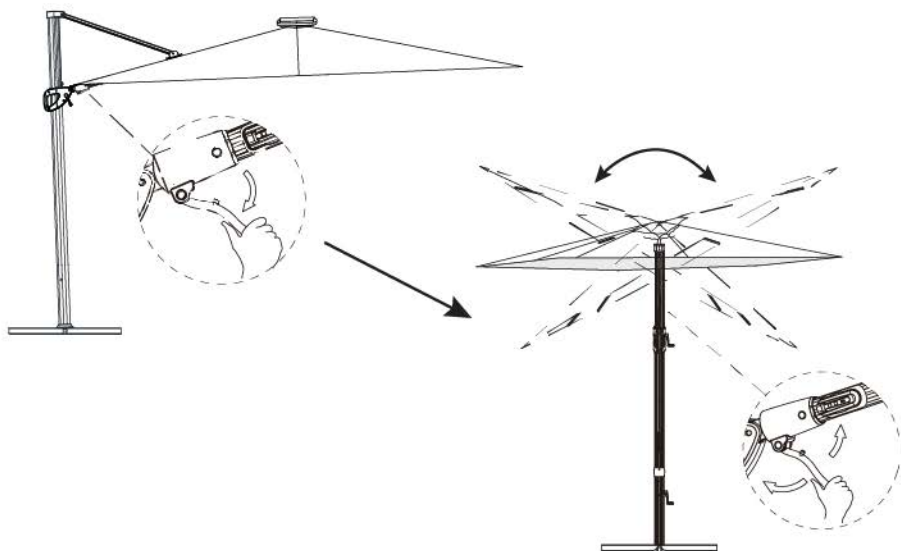


**Step 4:** To close umbrella, turn canopy crank handle (E2) counter-clockwise until canopy is fully closed. Squeeze grip on canopy glide handle (E3) and slide it down pole; release grip to lock it in place. Canopy frame should be vertically upright. Fasten storage straps around canopy and pole.



## Operation Instructions (cont.)

---



**Step 5:** To rotate canopy left and right, pull on handle unlocking mechanism and turn to desired angle. Then, put handle back in locked position to secure.

This device complies with Part 15 of the FCC Rules. Operation is subject to the following two conditions: (1) This device may not cause harmful interference, and (2) this device must accept any interference received, including interference that may cause undesired operation.

**NOTE:** This equipment has been tested and found to comply with the limits for Class B digital device, pursuant to Part 15 of the FCC Rules. These limits are designed to provide reasonable protection against harmful interference in a residential installation. This equipment generates, uses and can radiate radio frequency energy and, if not installed and used in accordance with the instructions, may cause harmful interference to radio or television reception, which can be determined by turning the equipment off and on, the user is encouraged to try to correct the interference by one or more of the following measures:

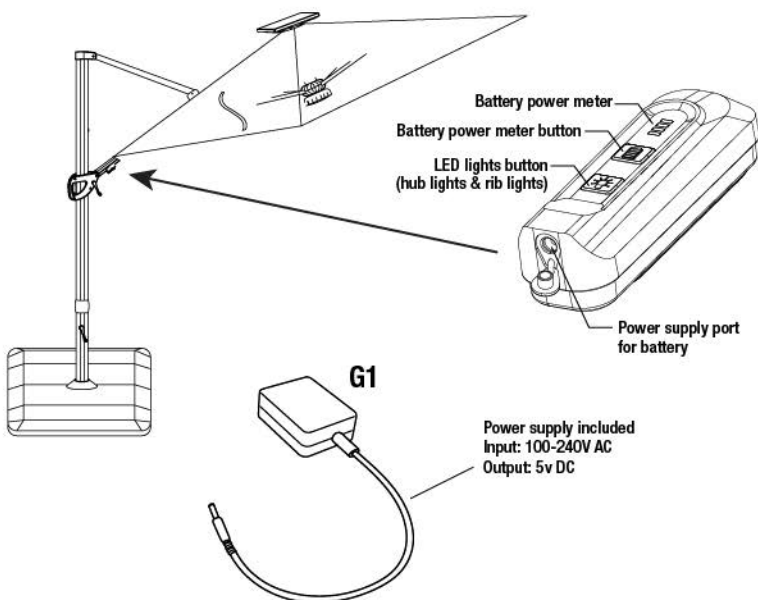
- Reorient or relocate the receiving antenna.
- Increase the separation between the equipment and the receiver.
- Connect the equipment into an outlet on a circuit different from that to which the receiver is connected.
- Consult the dealer or an experienced radio/TV technician for help.



## Lighting Operation & Battery Replacement



**CAUTION: YOU MUST CHARGE THE BATTERY BEFORE FIRST USE.** Please note that battery can lose charge if left unused or uncharged for a long period of time. Failure to charge the battery will result in premature dimming of the lights in your new solar umbrella. Make sure the light switch is in the off position when charging the solar panel. For everyday normal use, turn light switch on at night when you want to use solar light and turn off switch after use. **MAKE SURE LIGHT SWITCH IS IN OFF POSITION DURING DAYTIME TO ALLOW THE SOLAR PANEL TO CHARGE REMOTE PACK.**



Press the light button once to turn on hub light. Press second and third time to adjust the lighting intensity of hub light. Press fourth time to turn on the rib lights and turn off hub light. Press fifth time to turn on both rib and hub lights. Press sixth time to reach the medium lighting intensity. Press seventh time to reach the most lighting intensity. Press eighth time to turn off all lights.

Umbrella is equipped with 2 batteries. Remove battery from hub when the battery has drained. Replace battery once fully charged. When solar energy is insufficient. You can use the adapter to charge remote pack indoor. Charge level can be seen on remote pack power meter light.

**INFORMATION:** Battery is meant to be charged indoors. Leaving battery outside in inclement weather will damage battery and power supply.

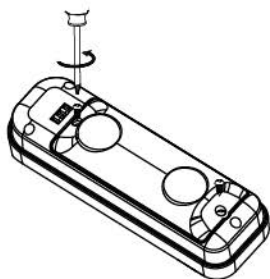
Battery charged after 3-4 hours using power supply or 6-8 hours of direct sunlight.

Battery life 6-8 hours when fully charged. Power supply is for indoor used only. Do not use outdoors.

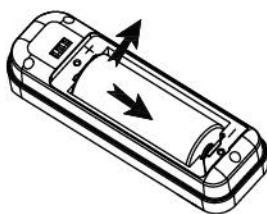
This device complies with Part 15 of the FCC Rules. Operation is subject to the following two conditions: (1) This device may not cause harmful interference, and (2) this device must accept any interference received, including interference that may cause undesired operation.

## Lighting Operation & Battery Replacement (cont.)

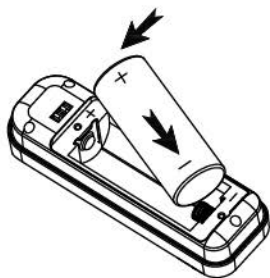
In the event that the battery inside the battery pack should reach the end of its lifecycle, it may be replaced with a new battery (sold separately).



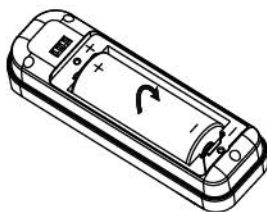
**Step 1:** Loosen screws located on the back of the battery pack.



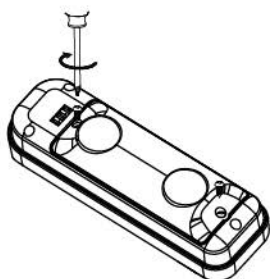
**Step 2:** Remove cover and remove battery.



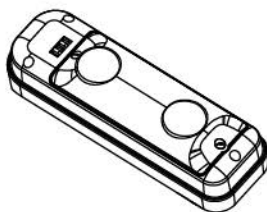
**Step 3:** Insert new battery in the correct direction as marked, with a new battery Model #26650 3.6V 5000mAh.



**Step 4:** Rotate battery to make sure it is properly seated in remote pack, double check the battery polarity is correct.



**Step 5:** Replace cover and tighten screws.



**Step 6:** Your battery pack is now ready for charging.

## Battery Disposal

---

- Battery should be recycled or disposed of as per state and local guidelines.
- Do not dispose of batteries in fire.
- Keep battery (batteries) out of the reach of children.

## Care and Maintenance

---

See the enclosed Sunbrella® care and cleaning label sewn into interior side of canopy.

## Warning and Cautions

---



**DANGER:** Keep children out of the assembly area during assembly.



**WARNING:** Read all instructions before beginning and follow the steps outlined. Failure to assemble and install as instructed could result in the umbrella tipping over causing personal injury and/or property damage.



**WARNING:** Do not open umbrella in windy conditions, as it could be blown over and cause personal injury or damage. To secure umbrella properly, either bolt it directly to your deck or patio, or use a properly weighted umbrella base. Keep umbrella away from glass tabletops during windy conditions to prevent breakage. Warranty does not cover damage due to neglect, abuse or poor weather conditions.



**WARNING:** Use only the original power adapter (5V/1A) to charge battery or other power supply with the same voltage. The use of any other adapter or power supply with higher voltage will damage battery. Original power adapter (5V/1A) uses DC barrel connector size: 5.5x2.5x10mm.



**CAUTION:** Assemble and use umbrella on flat ground.



**CAUTION:** Place base in the desired location for use before filling. Once the base is full, it will be harder to move.



**CAUTION:** Before opening umbrella, insert the plug into the socket under the solar panel. Put the solar panel at the top of umbrella and hide the plug and wire inside the groove at the top of the umbrella. Then turn the solar panel clockwise. Do not over tighten.



**INFORMATION:** Be sure to secure and/or weight the base of the umbrella.



**INFORMATION:** Close the umbrella and use the canopy storage straps when umbrella is not in use. If the umbrella is stored off season in a box, the solar panel and battery pack must be removed to avoid damage.



**INFORMATION:** Schematics in this manual are for assembly and operation illustration only. They may differ from the umbrella's actual appearance.



**INFORMATION:** It is suggested that the consumer use a cover (not included) to protect umbrella against the elements.

## Warranty

---

This product is covered under a manufacturer's 2-year warranty from date of purchase against defects in materials and workmanship. This warranty does not cover damage due to neglect, abuse or weather related damage. For full warranty disclosure, email us at [customerservice@atleisure.com](mailto:customerservice@atleisure.com) or chat with us at <https://help.atleisure.com>

### **NOT COVERED UNDER WARRANTY**

This warranty excludes the following: acts of nature (i.e. wind, fire, freezing); damage caused by improper assembly, accident, disaster, misuse, abuse, or negligence and discoloration or fading of the finish as a result of exposure to the elements. Product not intended for commercial use. This warranty gives you specific rights, and you may also have other rights which may vary from state to state.

**AUSTRALIA:** Our goods come with guarantees that cannot be excluded under the Australian Consumer Law. You are entitled to a replacement or refund for a major failure and compensation for any other reasonably foreseeable loss or damage. You are also entitled to have the goods repaired or replaced if the goods fail to be acceptable quality and the failure does not amount to a major failure.

## Filing a Claim

---

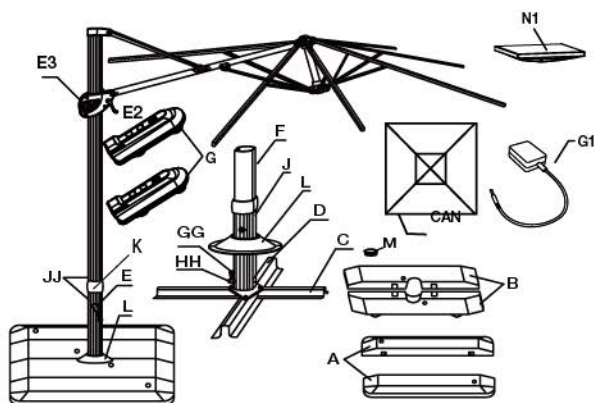
If you are within your warranty, you may file a claim by sending your receipt and pictures of your damaged umbrella and send to ATLeisure at:

Email: [customerservice@atleisure.com](mailto:customerservice@atleisure.com) or chat with us at <https://help.atleisure.com> 8:00 AM to 5:00 PM EST (Monday - Friday)

Made in China

## Replacement Parts

Only individual replacement parts listed below are available while supplies last. For replacement parts, email us at [customerservice@atleisure.com](mailto:customerservice@atleisure.com) or chat with us at <https://help.atleisure.com> 8:00 AM to 5:00 PM EST (Monday - Friday)



Part	Description	Quantity	Re-order No.
A	Blow Molded Base Outside	2	BSE-ABMP-P212
B	Blow Molded Base Inside	2	BSE-BBMP-P212
C	Lower Cross Leg	1	CSL-C78RX-P212
CAN	Canopy (Indigo, Mushroom, Pebble)	1	CAN-100SQ8RBS-T-IN2-C2 CAN-100SQ8RBS-T-MU2-C2 CAN-100SQ8RBS-T-PEB-C2
D	Upper Cross Leg	1	CSL-D78RX-P212
E	360° Crank Handle	1	CRK-E78RHP-P212
E2	Canopy Crank Handle	1	CRK-E78RHP-P212
E3	Canopy Glide Handle	1	CRK-778RG-P212
F	Holder Pole	1	HDP-F78RX-P212
G	Battery	2	SOL-G-2023
G1	Power Supply	1	SOL-G1-P212
K	Pole Sleeve Collar	1	HDP-SLV-P212
L	Pole Support Cap	1	PSC-L78R-P212
M	Blow Molded Base Cap	4	BSE-CAP-P212
N1	Solar Panel	1	SOL-PAN-P212
KIT	Hardware Kit (965258)	1	HDW-965258-KIT

U.S. Patent No. 8,104,492, U.S. Patent No. 6,612,713, U.S. Patent No. 7,753,546, U.S. Patent No. 8,069,868,  
U.S. Patent No. 8,375,966, U.S. Patent No. 8,727,555, U.S. Patent No. 8,794,781



® [www.atleisure.com](http://www.atleisure.com)  
ATLANTA, GEORGIA, USA  
Customer Service is available by email at  
[customerservice@atleisure.com](mailto:customerservice@atleisure.com) or chat at  
<https://help.atleisure.com> 8 AM – 5 PM EST, Monday – Friday.

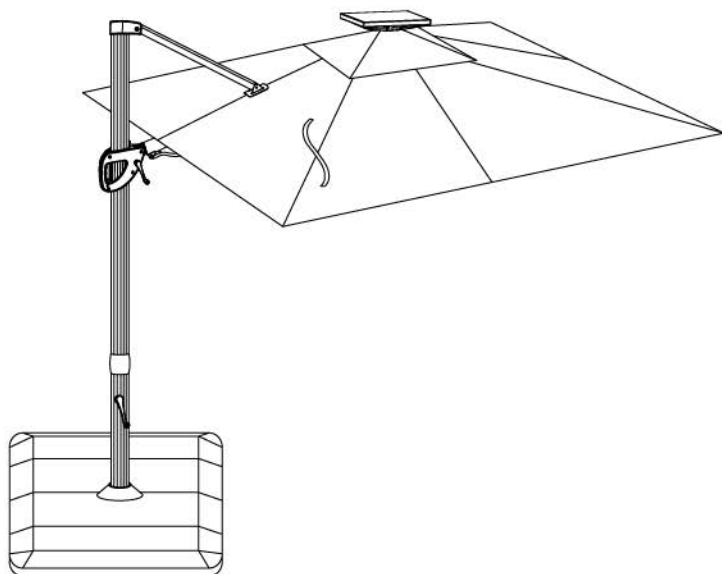


Parasol en porte-à-faux de  
3,04 m(10pi) avec panneau  
solaire, éclairage à DEL,  
et base

Manuel d'assemblage, d'entretien et d'utilisation

ITM. / ART. 2327682, 2327702, 2327703

Model: # UMB-965258



**IMPORTANT, À CONSERVER POUR DE FUTURS  
BESOINS DE RÉFÉRENCE : À LIRE SOIGNEUSEMENT**

Pour obtenir de l'aide concernant l'utilisation et les pièces ou pour  
joindre le service à la clientèle:

**ATLeisure, LLC**

Service à la clientèle par courriel [customerservice@atleisure.com](mailto:customerservice@atleisure.com) ou par  
clavardage <https://help.atleisure.com> du lundi au vendredi, de 8 h à 17 h (HE).

Pour usage extérieur et domestique seulement.  
Non destiné à des fins commerciales.

Conçu aux États-Unis  
Fabriqué en Chine



## Table des matières

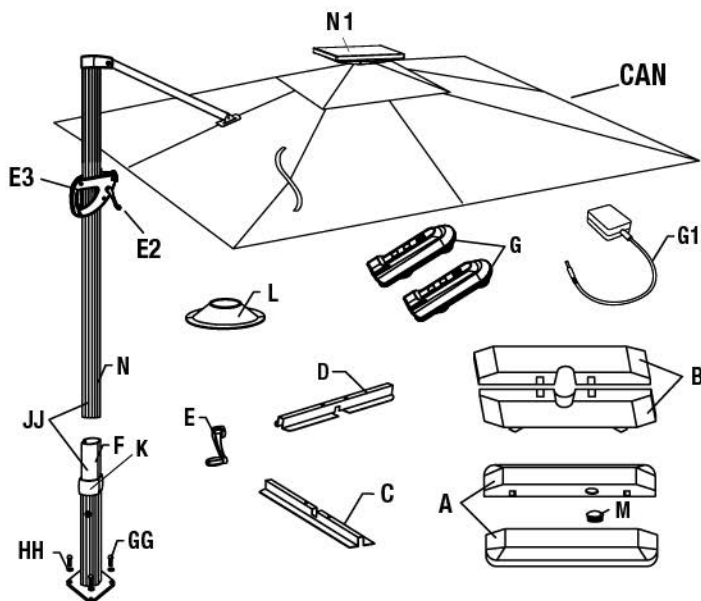
Préparation .....	15
Outils requis pour l'assemblage (non fournis) .....	16
Quincaillerie et contenu de l'emballage .....	16
Instructions d'assemblage .....	17-19
Instructions d'utilisation .....	19-21
Utilisation de l'éclairage et remplacement de la batterie .....	22-23
Mise au rebut de la batterie .....	24
Entretien et nettoyage .....	24
Mises en garde .....	24
Garantie .....	25
Réclamation .....	25
Pièces de rechange .....	26

## Préparation



Avant de commencer le montage, inspecter entièrement le parasol et vérifier qu'il ne manque aucune pièce. Disposer toutes les pièces sur une surface propre et plane, puis comparer le contenu de l'emballage avec la liste des pièces et les images ci-dessous. Si des pièces manquent ou sont endommagées, ne pas (1) assembler le produit, ni (2) remplir la base avec du sable ou de l'eau, ni (3) retourner le produit au magasin. Service à la clientèle par courriel [customerservice@atleisure.com](mailto:customerservice@atleisure.com) ou par clavardage <https://help.atleisure.com> du lundi au vendredi, de 8 h à 17 h (HE).

Temps de montage estimé: 40 minutes

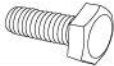



Outil requis pour le montage: clé à fourche ou à molette (non comprise)



## Outils requis pour l'assemblage (non fournis)

Image	Description	Quantité
	Clé à molette	1
	Sable (91 kg/200 lbs)	4

## Quincaillerie

Pièce	Image	Description	Quantité
GG		Exterieur vis hexagonale M10, 1,5 x 20 mm, A2-70	4
HH		Rondelle plate M10, A2-70	4
JJ		Interieur vis hexagonale M8, A2-70	2
KK		Interieur clé hexagonale M8	1

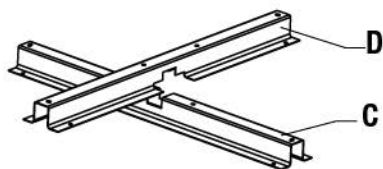
## Contenu de l'emballage

Part	Description	Quantité
A	Cadre de la base moulée par soufflage	2
B	Intérieur de la base moulée par soufflage	2
C	Partie inférieure du pied en croix	1
CAN	Toile (sur le châssis du parasol)	1
D	Partie supérieure du pied en croix	1
E	Manivelle pour rotation sur 360°	1
E2	Manivelle pour rotation de la toile	1
E3	Poignée coulissante de la toile	1
F	Socle	1
G	Batterie	2
G1	Bloc d'alimentation	1
K	Socle collier	1
L	Anneau de soutien	1
M	Capuchon de la base moulée par soufflage avec joint torique	4
N	Châssis du parasol (avec toile)	1
N1	Panneau solaire	1

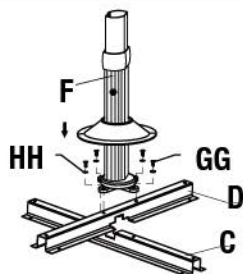
## Instructions d'assemblage



**ATTENTION:** Pour éviter d'abîmer le produit, ne pas utiliser d'outils ou d'objets tranchants tels qu'un couteau ou des ciseaux pour retirer le matériel de protection. De plus, avant de jeter le matériel de protection, s'assurer qu'aucune petite pièce comme les vis ou les rondelles ne s'y trouvent.



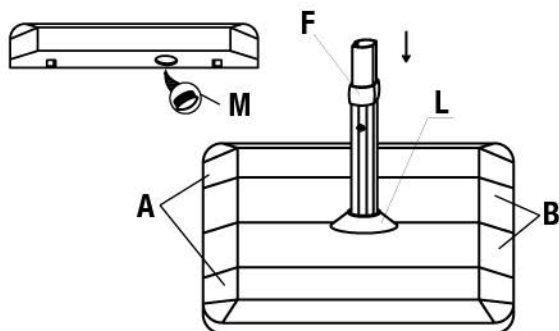
**Étape 1:** Placer la partie inférieure du pied en croix (C) sur le sol, puis placer la partie supérieure (D) par-dessus en alignant les encoches (C).



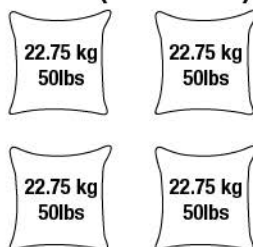
**Étape 2:** Fixer le socle (F) à la base avec les vis (GG) et les rondelles (HH) qui se trouvent dans l'emballage-coque, mais sans force excessive. Adjuster la position du socle, puis serrer les vis avec une clé à molette ou à fourche (non comprise).



**AVERTISSEMENT:** Avant d'ouvrir le parasol, l'assembler en suivant les instructions du guide. Remplir chaque section de la base de sable. Y ajouter de L'EAU pour imbiber le sable, puis pour remplir la base au complet. Fermer à l'aide des capuchons. La base devrait peser au moins 91 kg (200 lb) pour assurer la stabilité du parasol. Autrement, il y aura un déséquilibre, ce qui fera renverser le parasol et pourrait causer des dommages et des blessures.



### Sable (4 des sacs)

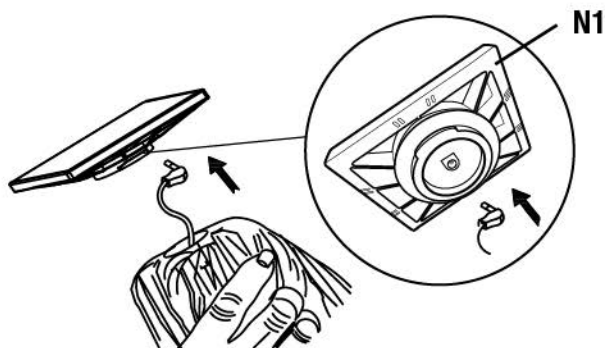


**91 kg / 200 lbs**

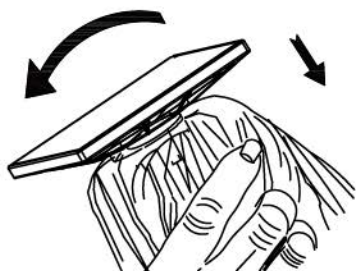
\*Sacs non inclus

**Étape 3:** Remplir chaque section de la base (A & B) de sable, puis boucher les trous avec les capuchons (M). Glisser l'anneau de soutien (L) sur le socle (F) de sorte qu'il repose sur la base (B).

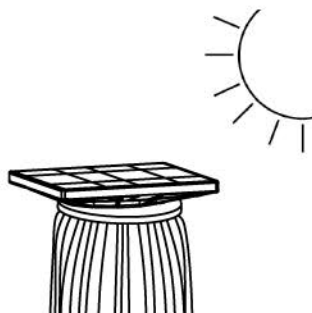
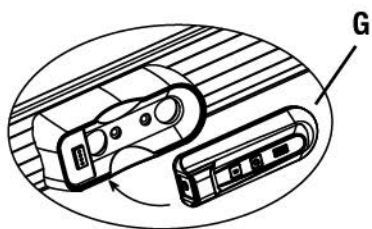
## Instructions d'assemblage (suite)



**Étape 4:** Brancher la fiche dans la prise sous le panneau solaire, comme illustré ci-dessus.



**Étape 5:** Placer le panneau solaire au sommet du parasol, puis dissimuler la fiche et le fil dans la cavité. Visser le panneau dans le sens horaire, sans trop serrer.



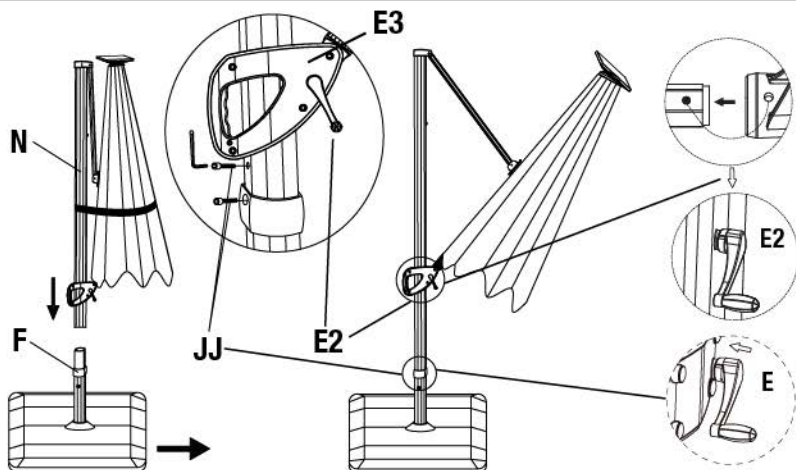
**Étape 6:** Retirer la batterie (G) de la boîte d'accessoires. Placer la batterie dans boîtier de batterie situé sur le bras de la poignée coulissante. Charger la batterie en exposant le panneau solaire à la lumière du soleil pendant huit heures avant la première utilisation.

**ÉTEINDRE LES LUMIÈRES À DEL POUR QUE LE PANNEAU SOLAIRE RECHARGE COMPLÈTEMENT LA BATTERIE.**

## Instructions d'assemblage (suite)

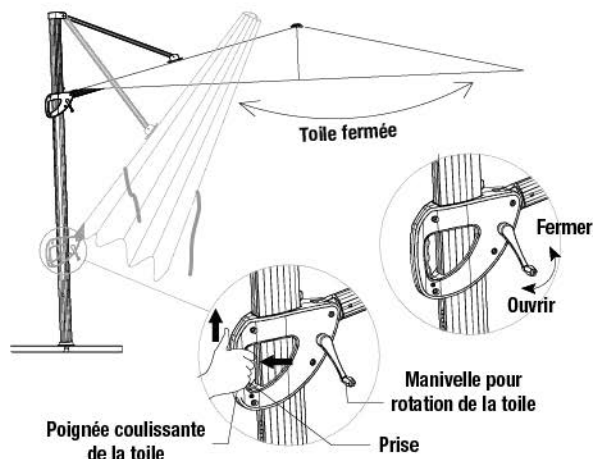


**MISE EN GARDE:** Il est recommandé de demander l'aide d'une autre personne pour insérer le parasol dans le socle.



**Étape 7:** Insérer le châssis du parasol avec toile (N) dans le socle (F) tout en faisant glisser la bague sur le mât. Avec une clé hexagonale, visser les deux vis hexagonales (JJ) dans le socle pour fixer le parasol. Fixer la manivelle pour rotation de la toile (E2) à la poignée coulissante de la toile (E3) et la manivelle pour rotation sur 360° (E) au mât.

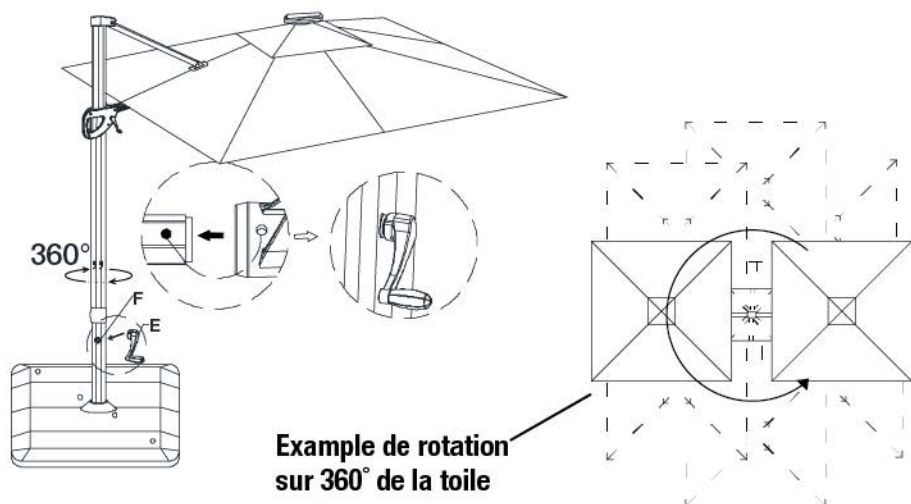
## Instructions d'utilisation



**Étape 1:** Détacher les courroies de rangement entourant la toile.

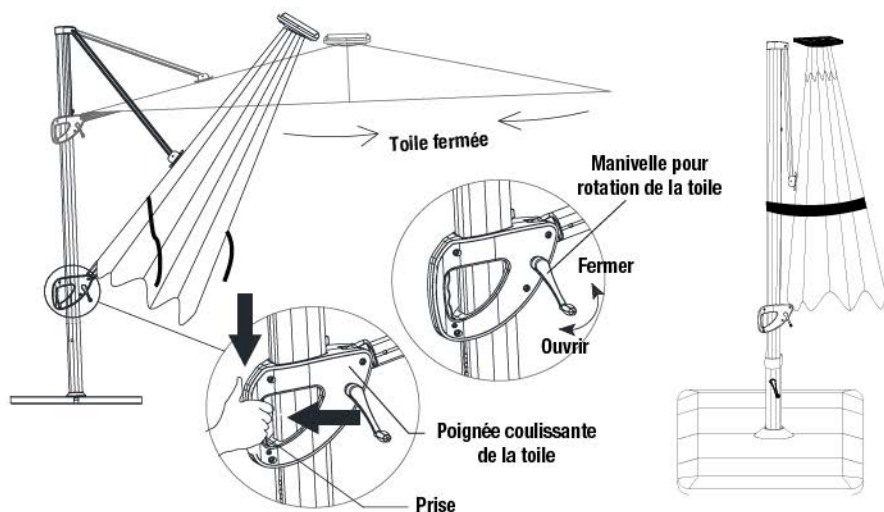
**Étape 2:** Pour ouvrir le parasol, serrer la poignée coulissante et la prise ensemble, puis les glisser à la hauteur donnant l'inclinaison désirée. Relâcher la prise pour bloquer la position. Pour déployer la toile, tourner la manivelle dans le sens horaire jusqu'à ce que la toile soit complètement ouverte, comme illustré. Les ampoules intégrées au moyeu sous la toile, doivent arriver au ras du mât.

## Instructions d'utilisation (suite)



Exemple de rotation sur 360° de la toile

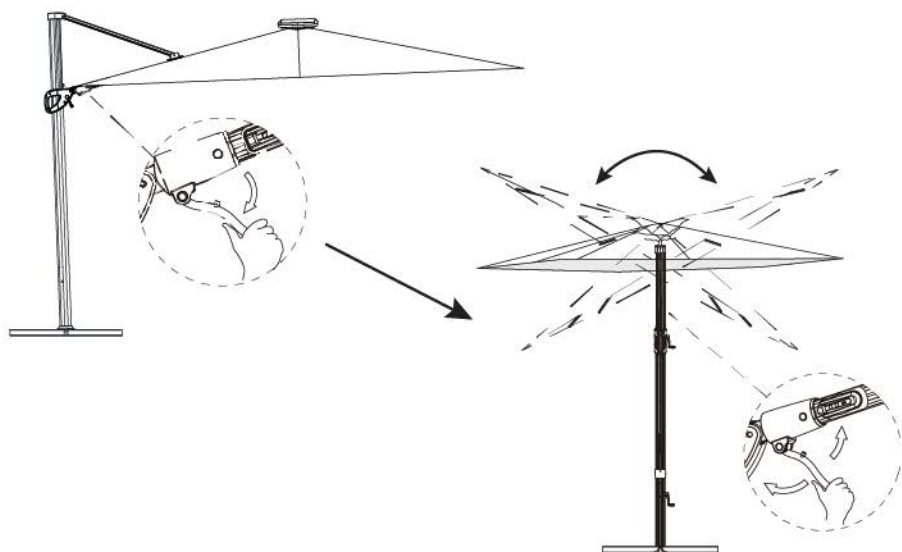
Étape 3: La toile peut pivoter sur 360°. Pour ce faire, insérer la manivelle (E) dans le socle (F), puis tourner à la position désirée.



Étape 4: Pour fermer le parasol, tourner la manivelle pour rotation de la toile (E2) dans le sens antihoraire jusqu'à ce que la toile soit complètement repliée. Serrer la prise de la poignée coulissante de la toile (E3), faire glisser jusqu'au bas du mât, puis relâcher la prise pour bloquer la position. Le châssis du parasol devrait être en position verticale. Attacher les sangles de rangement autour de la toile et du mât.



## Instructions d'utilisation (suite)



**Étape 5:** Pour faire tourner la toile vers la gauche ou la droite, tirer sur la poignée afin de déverrouiller le mécanisme et placer la toile à l'angle voulu, puis remettre la poignée en position verrouillée.

Ce produit est conforme à la partie 15 des règlements de la FCC. Son fonctionnement est sujet aux deux conditions suivantes: 1) ce produit ne doit pas causer de brouillage préjudiciable et 2) ce produit doit pouvoir recevoir toutes les interférences, notamment celles qui peuvent entraîner un fonctionnement non souhaité.

**NOTE:** Ce produit a été évalué et jugé conforme aux limites fixées pour les appareils numériques de classe B selon la partie 15 des règlements de la FCC. Ces limites visent à assurer une protection raisonnable contre le brouillage préjudiciable en milieu résidentiel. Ce produit génère, utilise et peut émettre de l'énergie de radiofréquence et, s'il n'est pas installé et utilisé conformément aux instructions, peut nuire aux communications radio ou télévisées, ce qui se vérifie en allumant et en éteignant le produit. L'utilisateur peut essayer de régler le problème par l'un ou l'autre des moyens suivants:

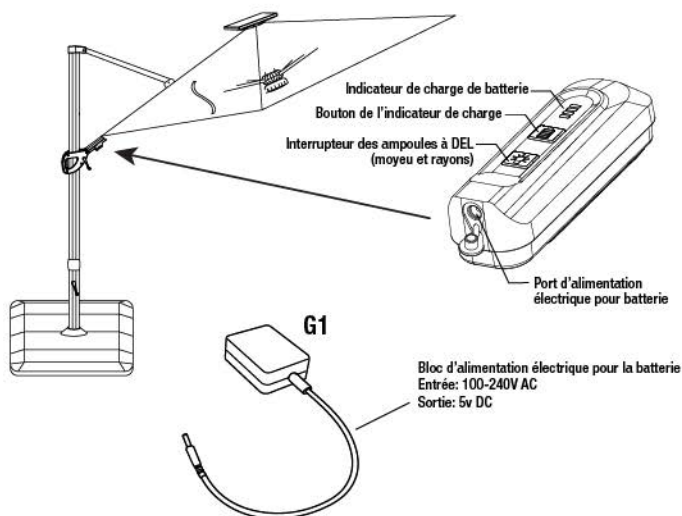
- Réorienter ou déplacer l'antenne de réception.
- Éloigner le produit du récepteur.
- Brancher le produit sur une prise d'un circuit distinct de celui sur lequel le récepteur est branché.
- Consulter le détaillant ou un technicien expérimenté en radio et télédiffusion.



## Utilisation de l'éclairage et remplacement de la batterie



**ATTENTION: CHARGER LA BATTERIE AVANT LA PREMIÈRE UTILISATION.** La batterie peut se décharger si elle n'est pas utilisée ou chargée pendant une longue période. Si la batterie n'est pas chargée, l'intensité de l'éclairage pourrait faiblir prématurément. S'assurer que l'interrupteur est bien fermé pendant le chargement. Pour un usage quotidien normal, allumer l'éclairage le soir, lorsque désiré, puis l'éteindre après l'utilisation. **S'ASSURER QUE L'INTERRUPTEUR RESTE FERMÉ LE JOUR POUR QUE LE PANNEAU SOLAIRE PUISSE RECHARGER LA BATTERIE.**



Appuyer une première fois sur l'interrupteur pour allumer les ampoules intégrées au moyeu, une deuxième et une troisième fois pour ajuster la luminosité, une quatrième fois pour allumer les ampoules intégrées aux rayons et éteindre celles intégrées au moyeu, une cinquième fois pour allumer toutes les ampoules, une sixième fois pour régler une luminosité moyenne, une septième fois pour régler une luminosité maximale et une huitième fois pour éteindre toutes les ampoules.

Le parasol est équipé de deux batteries. Retirer la batterie du moyeu lorsque la télécommande est déchargée. Réinstaller la batterie une fois qu'elle est pleinement chargée. Lorsque l'énergie solaire est insuffisante, il est possible de charger la batterie à l'intérieur avec l'adaptateur. Le niveau de charge est indiqué par le voyant d'alimentation sur la batterie.

**NOTE:** La batterie est conçue pour être chargée à l'intérieur. Son exposition aux intempéries l'endommagera ainsi que le bloc d'alimentation.

La batterie sera complètement rechargée après 3 ou 4 heures avec le bloc d'alimentation ou après 6 ou 8 heures d'exposition au soleil.

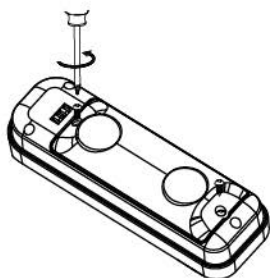


Autonomie de 6 à 8 heures lorsque la batterie est complètement rechargée. Bloc d'alimentation pour usage à l'intérieur seulement. Ne pas utiliser à l'extérieur.

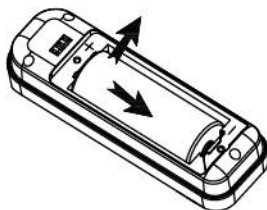
Ce produit est conforme à la section 15 des règlements de la FCC. Son fonctionnement est sujet aux deux conditions suivantes: (1) ce produit ne doit pas causer d'interférences nuisibles et (2) ce produit doit pouvoir recevoir toutes les interférences, notamment celles qui peuvent entraîner un fonctionnement non souhaité.

## Utilisation de l'éclairage et remplacement de la batterie (suite)

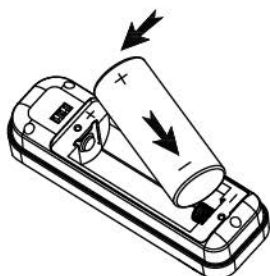
Il est possible de remplacer la pile du bloc-pile lorsqu'elle a atteint la fin de son cycle de vie (nouvelle pile vendue séparément).



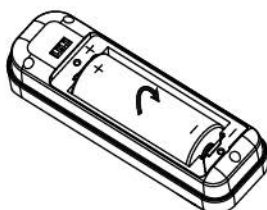
**Étape 1:** Desserrer les vis à l'arrière du bloc-pile.



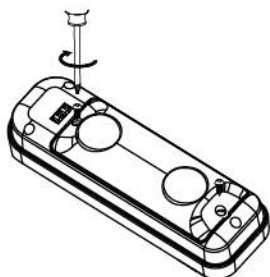
**Étape 2:** Retirer le couvercle, puis la pile.



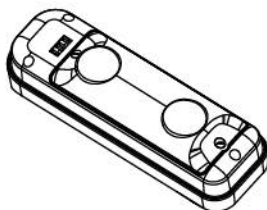
**Étape 3:** Insérer la nouvelle pile – modèle 26650 de 3,6 V, 5 000 mAh – dans le sens indiqué.



**Étape 4:** Faire tourner la pile pour s'assurer qu'elle est bien positionnée dans la télécommande, et vérifier la polarité.



**Étape 5:** Remplacer le couvercle et serrer les vis.



**Étape 6:** Le bloc-pile est maintenant prêt pour la recharge.

## Mise au rebut de la batterie

- Jeter la batterie conformément aux règlements de recyclage ou d'élimination applicables.
- Ne pas démonter ou écraser la batterie ni la jeter au feu.
- Tenir la batterie hors de la portée des enfants.

## Entretien et nettoyage

Consulter le feuillet Sunbrella<sup>MD</sup> étiquette d'entretien et de nettoyage cousue à l'intérieur de la canopée.

## Mises en garde



**DANGER:** Tenir les enfants à l'écart pendant l'assemblage.



**AVERTISSEMENT:** Lire les instructions en entier avant de commencer l'assemblage. Suivre les étapes d'assemblage et d'installation, sans quoi le parasol pourrait se renverser et causer des bris ou des blessures.



**AVERTISSEMENT:** Ne pas ouvrir le parasol par temps venteux, sans quoi il pourrait se renverser et causer des bris ou des blessures. Fixer le parasol solidement en le vissant directement au patio ou à la terrasse ou en utilisant une base suffisamment lourde. Ne pas laisser le parasol près d'une table à surface vitrée par temps venteux pour éviter des bris. La garantie ne couvre pas les dommages causés par une négligence, une utilisation abusive ou les conditions météorologiques.



**AVERTISSEMENT:** Utiliser seulement l'adaptateur d'alimentation d'origine (5 V/1 A) pour recharger la batterie, ou une autre source d'alimentation ayant la même tension. L'utilisation de tout autre adaptateur ou source d'alimentation électrique à tension supérieure endommagera la batterie. L'adaptateur d'alimentation d'origine (5 V/1 A) utilise un connecteur CC aux dimensions suivantes : 5,5 x 2,5 x 10 mm.



**ATTENTION:** Assembler et installer le parasol sur une surface plane.



**ATTENTION:** Placer la base à l'endroit désiré avant de la remplir. Une fois remplie, elle sera plus difficile à déplacer.



**ATTENTION:** Avant d'ouvrir le parasol, brancher la fiche sur la prise sous le panneau solaire. Placer le panneau solaire au sommet du parasol, puis dissimuler la fiche et le fil dans la cavité. Visser le panneau dans le sens horaire, sans trop serrer.



**NOTE:** Bien fixer et solidifier la base d parasol.



**NOTE:** Fermer la toile et attacher les courroies de rangement lorsque le parasol n'est pas utilisé.



**NOTE:** Les illustrations du présent manuel sont fournies à titre indicatif pour l'assemblage et l'utilisation seulement. L'apparence réelle du parasol pourrait différer.



**NOTE:** On recommande l'utilisation d'une housse (non comprise) pour protéger le parasol des intempéries.

## Garantie

---

Ce produit est assorti d'une garantie du fabricant de deux ans à compter de la date d'achat. Elle couvre tout défaut de matériaux et de fabrication, mais exclut les dommages causés par une négligence, une utilisation abusive ou les conditions météorologiques. Pour obtenir l'intégralité de la garantie, envoyer un courriel à [customerservice@atleisure.com](mailto:customerservice@atleisure.com) ou chatee en <https://help.atleisure.com>

### EXCLUSION DE GARANTIE

Ne sont pas couverts par cette garantie: les dommages causés par une catastrophe naturelle (vent, feu, gel), un assemblage inadéquat, un accident, un sinistre, une mauvaise utilisation, une utilisation abusive ou une négligence, ni toute décoloration ou dégradation de la finition survenue à la suite d'une exposition aux éléments. Ce produit n'est pas destiné à un usage commercial. Cette garantie confère à l'acheteur des droits légaux spécifiques, qui peuvent s'ajouter à d'autres droits selon l'endroit où il habite.

AUSTRALIE : Nos produits sont assortis de garanties qui ne peuvent être exclues, conformément à la législation sur la protection du consommateur de l'Australie. L'acheteur a droit à un remplacement ou à un remboursement pour un défaut majeur et à une compensation pour toute autre perte et tout autre dommage raisonnablement prévisible. Il a également le droit de faire réparer ou remplacer un produit si celui-ci n'est pas d'une qualité acceptable, même si le défaut n'est pas considéré comme majeur.

## Réclamation

---

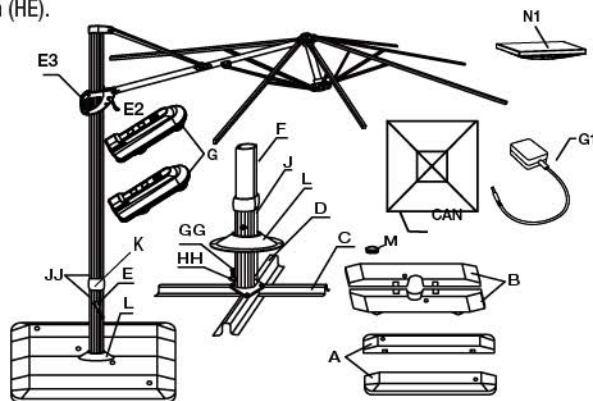
Pour faire une réclamation, pourvu que le parasol soit encore couvert par la garantie, envoyer le reçu d'achat et des photos du parasol endommagé à ATLeisure par courriel à:

Service à la clientèle par courriel [customerservice@atleisure.com](mailto:customerservice@atleisure.com) ou par clavardage <https://help.atleisure.com> du lundi au vendredi, de 8 h à 17 h (HE).

Fabriqué en Chine

## Pièces de rechange

Seules les pièces de rechange individuelles indiquées ci-dessous sont offertes, jusqu'à épuisement des stocks. Pour les pièces de rechange, service à la clientèle par courriel [customerservice@atleisure.com](mailto:customerservice@atleisure.com) ou par clavardage <https://help.atleisure.com> du lundi au vendredi, de 8 h à 17 h (HE).



Pièce	Description	Quantité	No de commande
A	Cadre de la base moulée par soufflage	2	BSE-ABMP-P212
B	Intérieur de la base moulée par soufflage	2	BSE-BBMP-P212
C	Partie inférieure du pied en croix	1	CSL-C78RX-P212
CAN	Toile (Indigo, Mushroom, Pebble)	1	CAN-100SQ8RBS-T-IN2-C2 CAN-100SQ8RBS-T-MU2-C2 CAN-100SQ8RBS-T-PEB-C2
D	Partie supérieure du pied en croix	1	CSL-D78RX-P212
E	Manivelle pour rotation sur 360°	1	CRK-E78RHP-P212
E2	Manivelle pour rotation de la toile	1	CRK-E78RHP-P212
E3	Poignée coulissante de la toile	1	CRK-778RG-P212
F	Socle	1	HDP-F78RX-P212
G	Batterie	2	SOL-G-2023
G1	Bloc d'alimentation	1	SOL-G1-P212
K	Socle collier	1	HDP-SLV-P212
L	Anneau de soutien	1	PSC-L78R-P212
M	Capuchon de la base moulée par soufflage	4	BSE-CAP-P212
N1	Panneau solaire	1	SOL-PAN-P212
KIT	Kit de matériel standard (965258)	4	HDW-965258-KIT

Nos de brevets aux États-Unis : 5,937,882 / 8,104,492 / 6,612,713 / 7,753,546 / 8,069,868 / 8,375,966 / 8,727,555 / 8,794,781



[www.atleisure.com](http://www.atleisure.com)  
ATLANTA, GEORGIA, ÉTATS-UNIS  
Service à la clientèle par courriel  
[customerservice@atleisure.com](mailto:customerservice@atleisure.com) ou par clavardage  
<https://help.atleisure.com> du lundi au vendredi,  
de 8 h à 17 h (HE).

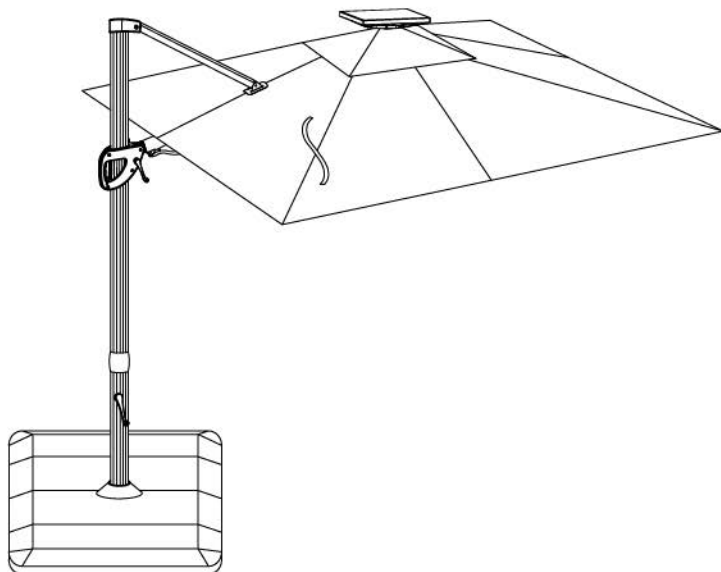


# Sombrilla voladiza de 3.04m (10 ft) con base y luz LED solar

Manual de montaje, mantenimiento y uso

ITM. / ART. 2327682, 2327702, 2327703

Modelo: # UMB-965258



**IMPORTANTE: CONSERVE PARA FUTURA REFERENCIA.  
LEA CUIDADOSAMENTE**

Para asistencia sobre el uso o las piezas o para comunicarse con el servicio de atención al cliente:

**ATLeisure, LLC**

Servicio al cliente por correo electrónico en [customerservice@atleisure.com](mailto:customerservice@atleisure.com)  
o por chat en [customerservice@atleisure.com](mailto:customerservice@atleisure.com), de lunes a viernes desde las  
8 a. m. hasta las 5 p. m., hora del Este

Solo para uso doméstico al aire libre. No apto para uso comercial.

Diseñado en EE.UU.  
Hecho en China



# Índice

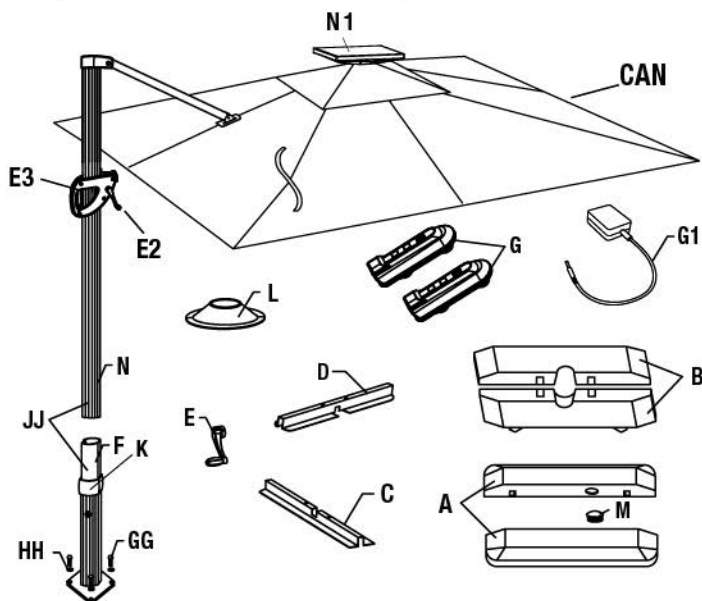
Preparación .....	28
Herramientas necesarias para el montaje (no incluidas) .....	29
Materiales y contenido del paquete .....	29
Instrucciones de montaje .....	30-32
Instrucciones de uso .....	32-34
Operación de las luces y reemplazo de la batería .....	35-36
Eliminación de la batería .....	37
Cuidado y mantenimiento .....	37
Precauciones y advertencias .....	37
Garantía .....	38
Presentación de una reclamación .....	38
Piezas de repuesto .....	39

## Preparación



Antes de empezar el montaje del producto, inspeccione la sombrilla completa y compruebe que tiene todas las piezas y accesorios. Coloque todas las piezas y accesorios en una superficie plana y limpia. Compare las piezas con la lista de contenidos y los diagramas que se muestran en el empaque. Si falta alguna pieza o hay alguna dañada, no (1) arme la sombrilla, no (2) llene las bases con arena o agua ni (3) regrese al lugar donde la compró. Servicio al cliente por correo electrónico en [customerservice@atleisure.com](mailto:customerservice@atleisure.com) o por chat en [customerservice@atleisure.com](https://www.atleisure.com), de lunes a viernes desde las 8 a. m. hasta las 5 p. m., hora del Este.

Tiempo estimado de montaje: 40 minutos





Herramientas requeridas: llave ajustable o no ajustable, (no incluida)



## Herramientas necesarias para el montaje (no incluidas):

Imagen	Descripción	Cantidad
	Llave inglesa	1
	Arena (91 kg/200 lbs)	4

## Materiales incluidos

Pieza	Imagen	Descripción	Cantidad
GG		Exterior pernos hexagonales M10, 1.5 x 20 mm, A2-70	4
HH		Arandelas planas M10, A2-70	4
JJ		Interior pernos hexagonales M8, A2-70	2
KK		Interior llave hexagonal M8	1

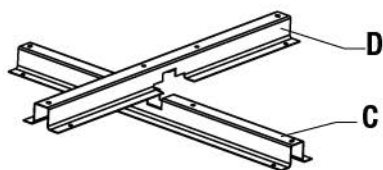
## Contenido del paquete

Pieza	Descripción	Cantidad
A	Exterior de la base moldeada por soplado	2
B	Interior de la base moldeada por soplado	2
C	Parte inferior de la pata transversal	1
CAN	Toldo (en el marco de la sombrilla)	1
D	Parte superior de la pata transversal	1
E	Manivela de 360°	1
E2	Manivela de toldo	1
E3	Manivela de giro del toldo	1
F	Poste de sostén	1
G	Batería	2
G1	Fuente de alimentación	1
K	Anillo de poste de sostén	1
L	Soporte de poste	1
M	Tapón de base moldeada por soplado con junta tórica	4
N	Marco de la sombrilla (con toldo)	1
N1	Panel solar	1

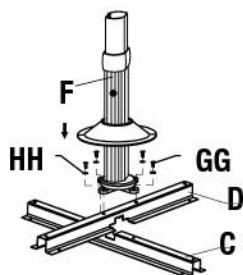
## Instrucciones de montaje



**ATENCIÓN:** No use herramientas punzantes u objetos como un cuchillo o tijeras para retirar el material protector, porque podría dañar el producto. Tenga cuidado de no desechar las piezas pequeñas como los pernos, arandelas, etc. que podrían estar envueltas en el material protector.



**Paso 1:** Coloque la parte inferior de la pata transversal (C) en el suelo, alinee las ranuras y coloque la parte superior de la pata transversal (D) sobre la parte inferior (C).

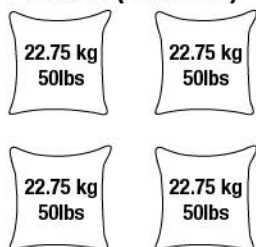
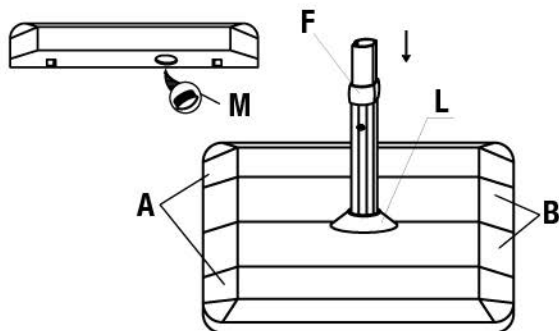


**Paso 2:** Una el poste de sostén (F) a la base usando los pernos (GG) y las arandelas (HH) que se encuentran en el blíster. No los apriete demasiado. Ajuste el poste de sostén (F) para asegurarse de que está colocado correctamente sobre la base. Para terminar, apriete los pernos y arandelas usando una llave inglesa o una llave de boca abierta (no incluidas).



**ADVERTENCIA:** No abra la sombrilla hasta haber terminado el montaje de acuerdo con las instrucciones proporcionadas en este manual. Rellene cada sección de la base con arena y añada agua para humedecerla. Añada AGUA hasta llenar por completo cada sección. Use el tapón para tapan el orificio de la base. Se recomienda poner un peso de por lo menos 91 kg (200 lb) en las patas transversales para garantizar la estabilidad. El no hacerlo puede causar el desbalance del peso y hacer que la sombrilla se caiga, provocando daños y/o lesiones corporales.

### Arena (4 bolsas)

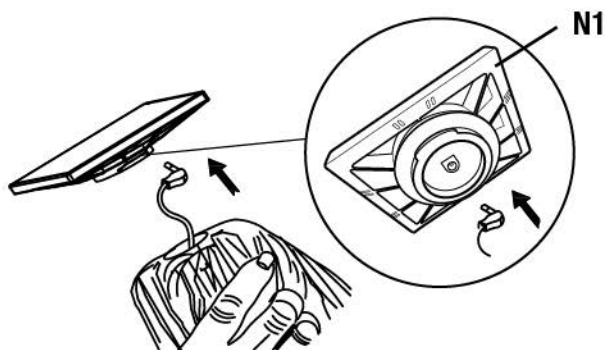


**91 kg / 200 lbs**

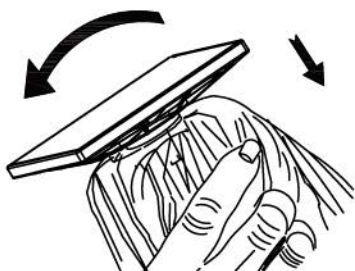
\*Bolsas no incluidas

**Paso 3:** Rellene cada base (A & B) con arena, tapándola con los tapones (M). Pase el soporte de poste (L) a través del poste de sostén (F) y colóquelo sobre la base moldeada por soplado (B).

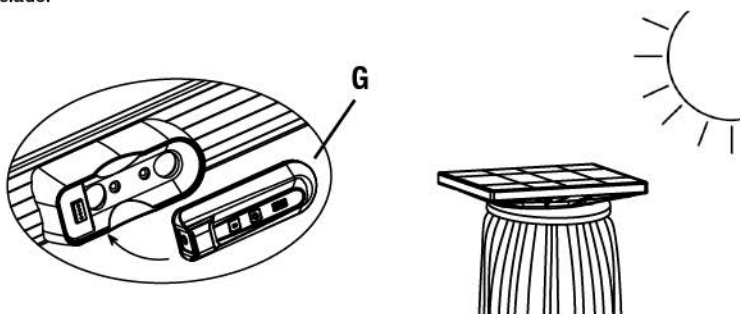
## Instrucciones de montaje (cont.)



**Paso 4:** Introduzca el enchufe en la toma que se encuentra debajo del panel solar como se muestra arriba.



**Paso 5:** Coloque el panel solar en la parte superior de la sombrilla e inserte el enchufe y el cable a través del orificio de la parte superior. Gire el panel solar hacia la derecha sin apretar demasiado.



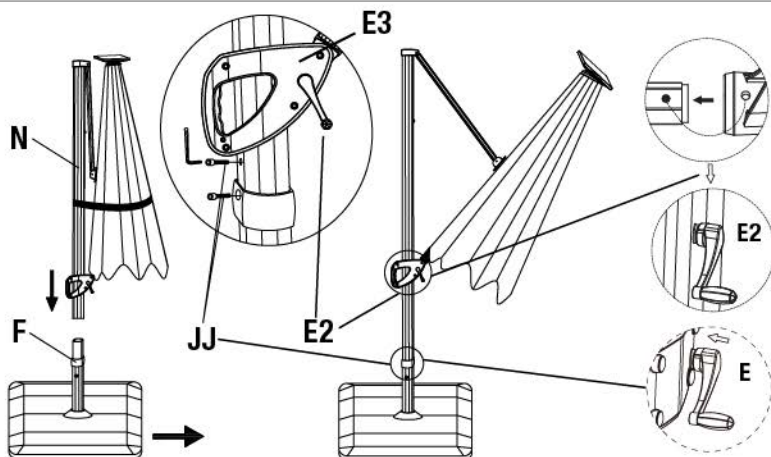
**Paso 6:** Retire la batería de la caja de accesorios. Pone la batería en el alojamiento de la batería ubicado en el brazo del mango deslizante. Coloque la sombrilla solar en el exterior, en la luz directa del sol para cargar el panel solar durante 8 horas antes del primer uso.

**ASEGÚRESE DE QUE LAS LUCES LED EN LA SOMBRILLA ESTÉN APAGADAS PARA PERMITIR QUE EL PANEL SOLAR CARGUE COMPLETAMENTE LA BATERÍA.**

## Instrucciones de montaje (cont.)

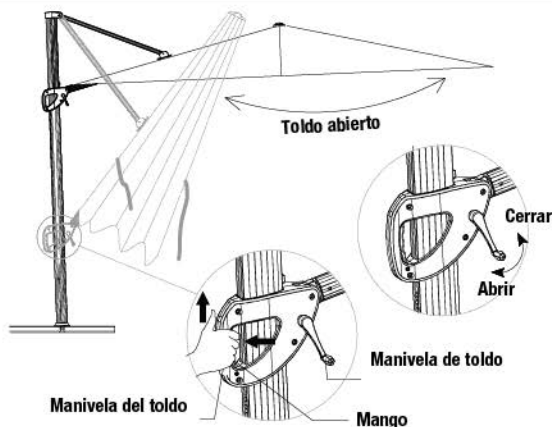


**ATENCIÓN:** Se recomienda insertar la som-brilla en el soporte del poste entre dos perso-nas.



**Paso 7:** Coloque la estructura de la sombrilla con el toldo (N) en el poste de soporte (F). Al mismo tiempo, deslice el collarín del poste de soporte hasta el poste de soporte. Ajuste los dos pernos hexagonales (JJ) en el poste de soporte para fijar la sombrilla con la llave hexagonal. Sujete la manivela del toldo (E2) en la manivela de giro del toldo (E3) y la manivela de 360° (E) al poste.

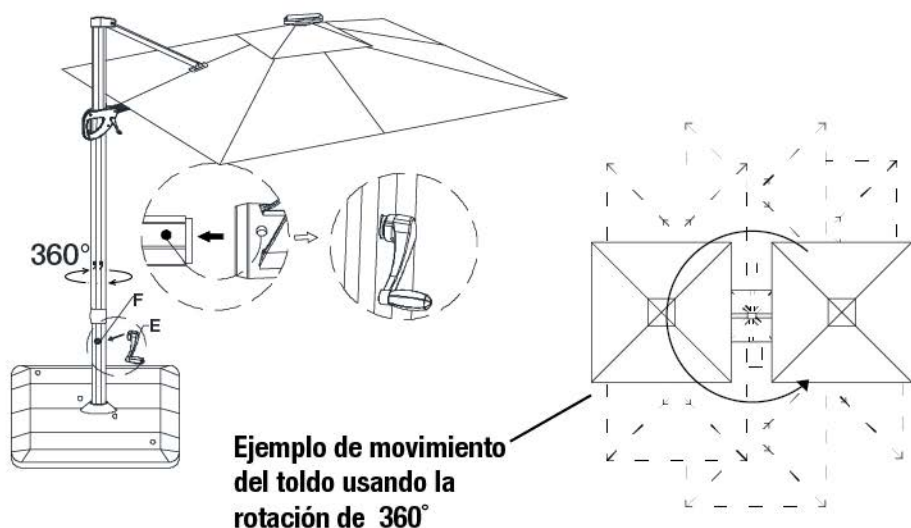
## Instrucciones de uso



**Paso 1:** Afloje las correas de almacenamiento que sujetan el toldo.

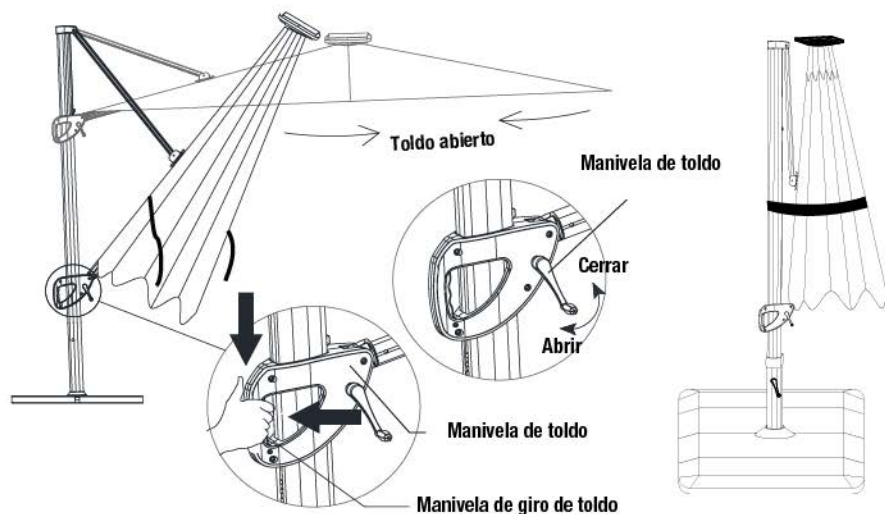
**Paso 2:** Para abrir la sombrilla, apriete el mango de la manivela de giro del toldo (E3) y deslícelo hacia abajo o arriba por el poste para lograr el ángulo del toldo deseado. Suelte el mango para trabar la estructura del toldo de la sombrilla en su lugar. Para abrir el toldo, gire la manivela de toldo (E2) en el sentido de las agujas del reloj hasta barir el toldo por completo, como se muestra en el dibujo. La luz central ubicada debajo del toldo debe colocarse a ras del poste central..

## Instrucciones de uso (cont.)



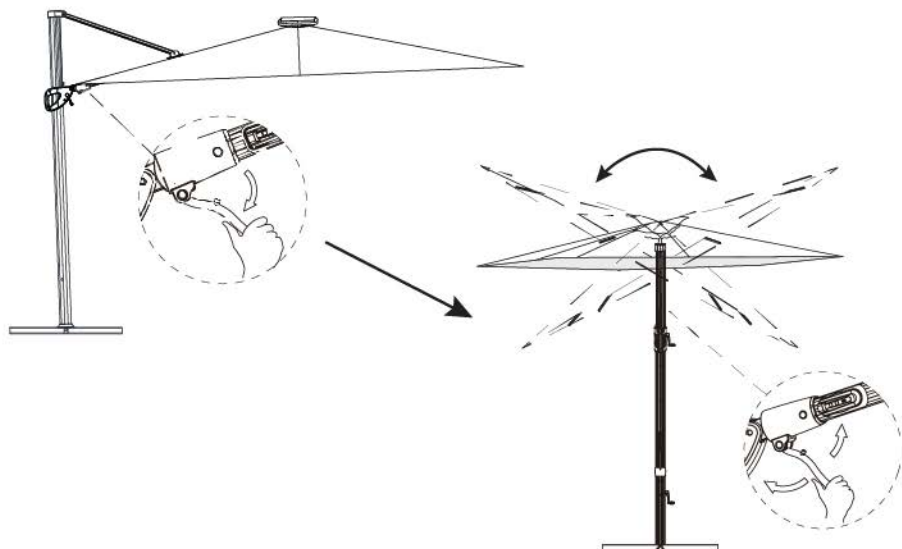
**Ejemplo de movimiento del toldo usando la rotación de 360°**

**Paso 3:** El toldo puede ser girado en 360°. Para girar la sombrilla, inserte la manivela (E) en el poste de sostén (F), y gírela hasta obtener la posición deseada.



**Paso 4:** Para cerrar la sombrilla, gire la manivela del toldo (E2) en el sentido contrario a las agujas del reloj hasta cerrar el toldo por completo. Apriete el mango de la manivela de giro del toldo (E3), y deslícelo hacia abajo por el poste; suelte el mango para fijarlo en el lugar. La estructura del toldo debe colocarse verticalmente. Abroche las cintas de almacenamiento alrededor del poste del toldo.

## Instructions d'utilisation (cont.)



**Paso 5:** Para girar el toldo hacia la izquierda o la derecha, tire del mango del mecanismo de desbloqueo y gire hasta alcanzar el ángulo deseado. Después, devuelva el mango a la posición de bloqueo.

Este dispositivo cumple con la parte 15 de las normas de la FCC. Su uso queda sujeto a dos condiciones: el dispositivo 1) no debe causar interferencias perjudiciales y 2) debe aceptar cualquier tipo de interferencia que reciba, incluso aquella que pueda causar un funcionamiento no deseado.



**NOTA:** Este equipo se ha probado y se ha determinado que cumple con los límites de un dispositivo digital de clase B, de acuerdo con la parte 15 de las normas de la FCC. Estos límites están diseñados para proporcionar una protección razonable contra la interferencia dañina en una instalación residencial. El equipo genera, usa y puede emitir energía de radiofrecuencia. Si no se instala y se usa de acuerdo con las instrucciones, también puede generar una interferencia dañina en las comunicaciones de radio, lo que se puede determinar al apagar y encender el equipo. De ser el caso, el usuario debería intentar corregir la interferencia mediante una o más de las siguientes acciones:

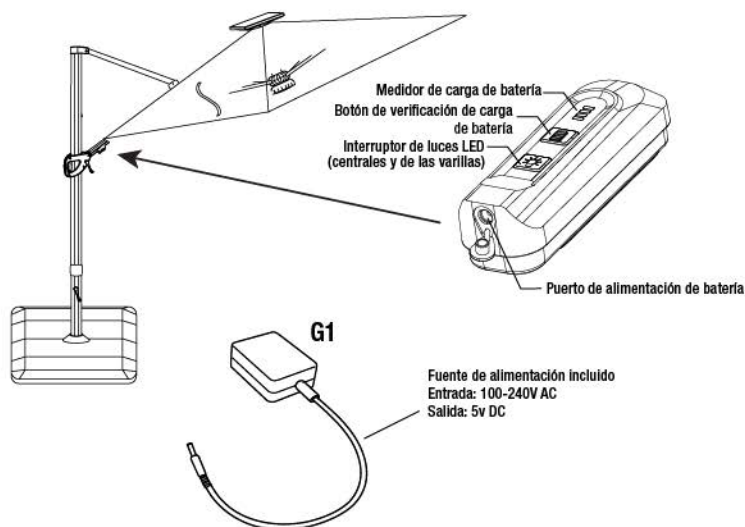
- Reorientar o reubicar la antena receptora.
- Aumentar la separación entre el equipo y el receptor.
- Conectar el equipo en un tomacorriente de un circuito diferente al que esté conectado el receptor.
- Consultar con el distribuidor o con un técnico de radio/TV experimentado para obtener ayuda



## Operación de las luces y emplazo de la batería



**PRECAUCIÓN:** USTED DEBE CARGAR LA BATERÍA ANTES DEL PRIMER USO. Tenga en cuenta que la batería puede descargarse si se deja sin usar o sin cargar durante un largo periodo de tiempo. El no cargar la batería ocasionará la atenuación prematura de las luces en su sombrilla solar nueva. Asegúrese de que el interruptor de la luz esté en la posición de apagado cuando el panel solar se esté cargando. Para uso normal diario, encienda el interruptor de luz en la noche cuando desee utilizar la luz solar y apáguelo después de su uso. **ASEGÚRESE QUE EL INTERRUPTOR DE LAS LUCES ESTÉ EN POSICIÓN DE APAGADO DURANTE EL DÍA PARA QUE EL PANEL SOLAR CARGUE LA BATERÍA.**



Pulse el botón de iluminación una vez para encender la luz de la parte central. Púlselo una segunda y tercera vez para ajustar la intensidad de la luz de la parte central, y una cuarta vez para encender las luces de las varillas y apagar la luz de la parte central. Púlselo cinco veces para encender las luces de las varillas y la parte central. Para alcanzar la intensidad de iluminación media, púlselo seis veces, para alcanzar la máxima intensidad de iluminación, siete veces y para apagar todas las luces, ocho veces.

La sombrilla está equipada con dos batería. Retire la batería de la parte central cuando el control remoto se haya agotado. Vuelva a colocar el control remoto una vez que esté completamente cargado. En interiores o cuando la energía solar sea insuficiente, puede utilizar el adaptador para cargar el batería. El nivel de carga se puede ver en la luz del medidor de energía del batería.

**INFORMACIÓN:** La batería está diseñada para cargarse en interiores. El dejar la batería en el exterior bajo las inclemencias del tiempo dañará la batería y la fuente de alimentación.

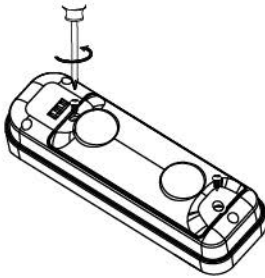
La batería se carga después d 3 h a 4 h usando la fuente de alimentación o en 6 h a 8 h con luz solar directa.

La duración de la batería es de 6 h a 8 h cuando está completamente cargada. La fuente de alimentación es para uso en interiores solamente. No use en exteriores.

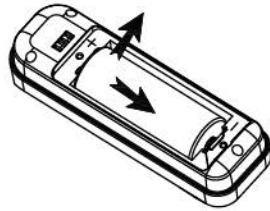
Este dispositivo cumple con la sección 15 de las Normas de la FCC. Su operación está sujeta a las dos condiciones siguientes: (1) este dispositivo no debe provocar interferencias nocivas y (2) este dispositivo debe aceptar todas las interferencias que reciba, incluyendo aquellas interferencias que podrían provocar un funcionamiento no deseado.

## Operación de las luces y eemplazo de la batería (cont.)

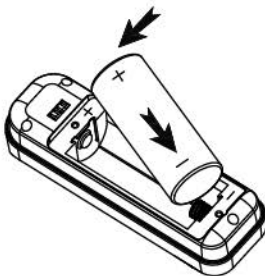
En caso de que se agote, la batería dentro de su unidad de batería puede ser reemplazada por una nueva (se vende por separado).



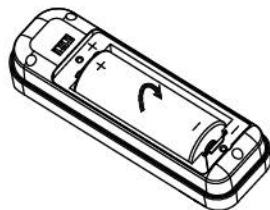
**Paso 1:** Afloje los tornillos ubicados en la parte trasera de la unidad de batería.



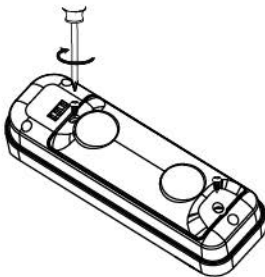
**Paso 2:** Quite la cubierta y la batería.



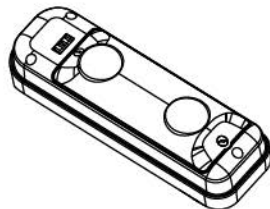
**Paso 3:** Inserte una batería nueva modelo 26650 de 3.6 V, 5000 mAh en la dirección correcta según se indica.



**Paso 4:** Gire la batería para verificar que esté colocada correctamente en la unidad y compruebe que la polaridad de la batería sea la adecuada.



**Paso 5:** Reemplace la cubierta y ajuste los tornillos.



**Paso 6:** Su batería ya está lista para la carga.

## Eliminación de la batería

- Deseche la(s) batería(s) de acuerdo a las regulaciones locales y estatales de reciclaje o residuos.
- No desarme, aplaste o deseche la(s) batería ni la reemplace usted mismo.
- Mantenga la(s) batería(s) fuera del alcance de los niños.

## Cuidado y mantenimiento

Vea la etiqueta de cuidado y limpieza de Sunbrella® cosido en el interior del toldo que contiene información sobre el mantenimiento del toldo.

## Precuciones y advertencias



**PELIGRO:** Durante el montaje, mantenga a los niños alejados del área de trabajo.



**ADVERTENCIA:** Lea todas las instrucciones antes de comenzar y siga los pasos indicados. El no respetar las instrucciones de montaje e instalación puede provocar la caída de la sombrilla y causar lesiones corporales o daños a la propiedad



**ADVERTENCIA:** No abra la sombrilla en periodos de vientos fuertes, pues podría ser derribada y causar daños o lesiones corporales. Para fijar correctamente la sombrilla, atornillela directamente a su patio o terraza o use una base de sombrilla con el peso adecuado. Mantenga la sombrilla alejada de mesas de vidrio en periodos de vientos fuertes para evitar romperlas. La garantía no cubre los daños causados por la negligencia, el maltrato o el mal tiempo.



**ADVERTENCIA:** Para cargar la batería, se debe utilizar solamente el adaptador de corriente original (5 V/1 A) u otra fuente de alimentación con el mismo voltaje. El uso de cualquier otro adaptador o fuente de alimentación con mayor voltaje dañará la batería. El adaptador de corriente original (5 V/1 A) utiliza el tamaño del conector de barra de CC: 5,5 x 2,5 x 10 mm.



**ATENCIÓN:** Monte y utilice esta sombrilla sobre una superficie plana.



**ATENCIÓN:** Coloque la base en el lugar donde será utilizada antes de llenarla. Es mucho más difícil moverla cuando está llena.



**ATENCIÓN:** No abra la sombrilla hasta haber terminado el montaje de acuerdo con las instrucciones proporcionadas en este manual. Rellene cada sección de la base con arena y añada agua para humedecerla. Añada agua hasta llenar por completo cada sección. Use el tapón para taponar el orificio de la base. Se recomienda poner un peso de por lo menos 91 kg (200 lb) en las patas transversales para garantizar la estabilidad. El no hacerlo puede causar el desbalance del peso y hacer que la sombrilla se caiga, provocando daños y/o lesiones corporales.



**INFORMACIÓN:** Asegúrese de fijar la base de la sombrilla y/o añadirle peso.



**INFORMACIÓN:** Cuando no utilice la sombrilla, ciérrela usando las correas de almacenamiento del toldo.



**INFORMACIÓN:** Los diagramas de este manual son a título indicativo solamente, para ilustrar el montaje y el uso del producto. La apariencia real de la sombrilla podría ser distinta.



**INFORMACIÓN:** Se sugiere que el consumidor utilice una funda (no incluida) para proteger el paraguas de los elementos.

## Garantía

---

Este producto está cubierto por una garantía del fabricante de 2 años, a partir de la fecha de compra, contra defectos en los materiales y la mano de obra. Esta garantía no cubre los daños causados por la negligencia, el maltrato o el mal tiempo. Para la versión completa de la garantía, servicio al cliente por correo electrónico en [customerservice@atleisure.com](mailto:customerservice@atleisure.com) o por chat en [customerservice@atleisure.com](https://atleisure.com), de lunes a viernes desde las 8 a. m. hasta las 5 p. m., hora del Este

### ASPECTOS NO CUBIERTOS POR LA GARANTÍA

Esta garantía excluye lo siguiente: fenómenos naturales (p.ej. vientos, incendios o heladas); los daños causados por un montaje incorrecto, accidente, desastre, uso indebido, maltrato, negligencia y la decoloración o el desteñido del acabado causado por la exposición a los elementos naturales. No use este producto para fines comerciales. Esta garantía le otorga derechos específicos y usted podría tener derechos adicionales, los cuales pueden variar de un estado a otro.

**AUSTRALIA** : Nuestros artículos vienen con garantías que no pueden ser excluidas bajo la ley del consumidor de Australia. Usted tiene derecho al reemplazo o reembolso debido a un grave defecto del producto y a una compensación por todo otro daño o pérdida razonablemente previsible. También tiene derecho al reemplazo o reparación del artículo si éste no es de una calidad aceptable y si el defecto no es considerado grave.

## Presentación de una reclamación

---

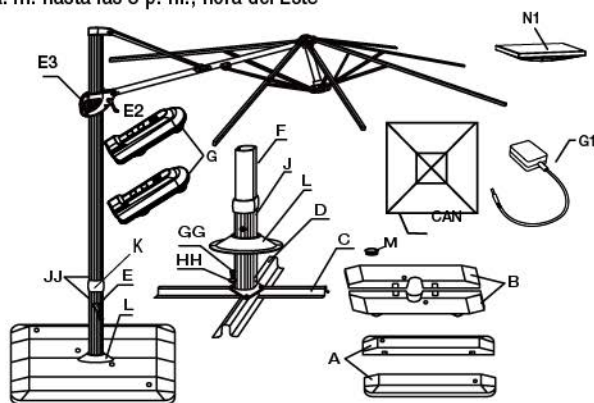
Para presentar una reclamación respecto a un producto, dentro del periodo de la garantía, usted debe enviar el recibo de compra acompañado de fotos de su sombrilla dañada a ATLeisure:

Servicio al cliente por correo electrónico en [customerservice@atleisure.com](mailto:customerservice@atleisure.com) o por chat en [customerservice@atleisure.com](https://atleisure.com), de lunes a viernes desde las 8 a. m. hasta las 5 p. m., hora del Este.

Hecho en China

## Piezas de repuesto

Solo están disponibles las piezas individuales de reemplazo que aparecen a continuación, hasta agotar el stock. Verifique los números de pieza y envíe correo electrónico en [customerservice@atleisure.com](mailto:customerservice@atleisure.com) o por chat en [customerservice@atleisure.com](mailto:customerservice@atleisure.com), de lunes a viernes desde las 8 a. m. hasta las 5 p. m., hora del Este



Pieza	Descripción	Cantidad	No. de referencia
A	Exterior de la base moldeada por soplado	2	BSE-ABMP-P212
B	Interior de la base moldeada por soplado	2	BSE-BBMP-P212
C	Parte inferior de la pata transversal	1	CSL-C78RX-P212
CAN	Toldo (Indigo, Mushroom, Pebble)	1	CAN-100S08RBS-T-IN2-C2 CAN-100S08RBS-T-MU2-C2 CAN-100S08RBS-T-PEB-C2
D	Parte superior de la pata transversal	1	CSL-D78RX-P212
E	Manivela de 360°	1	CRK-E78RHP-P212
E2	Manivela del toldo	1	CRK-E78RHP-P212
E3	Manivela de giro del toldo	1	CRK-778RG-P212
F	Poste de sostén	1	HDP-F78RX-P212
G	Batería	2	SOL-G-2023
G1	Fuente de alimentación	1	SOL-G1-P212
K	Anillo de poste de sostén	1	HDP-SLV-P212
L	Soporte de poste	1	PSC-L78R-P212
M	Tapón de la base moldeada por soplado	4	BSE-CAP-P212
N1	Panel solar	1	SOL-PAN-P212
KIT	Kit de hardware (965258)	4	HDW-965258-KIT

N.º de patente EE.UU. 5,937,882, N.º de patente EE.UU. 8,104,492, N.º de patente EE.UU. 6,612,713, N.º de patente EE.UU. 7,753,546, N.º de patente EE.UU. 8,069,868, N.º de patente EE.UU. 8,375,966, N.º de patente EE.UU. 8,727,555, N.º de patente EE.UU. 8,794,781



[www.atleisure.com](http://www.atleisure.com)

ATLANTA, GEORGIA, ESTADOS UNIDOS

Servicio al cliente por correo electrónico en

[customerservice@atleisure.com](mailto:customerservice@atleisure.com) o por chat en

[customerservice@atleisure.com](mailto:customerservice@atleisure.com), de lunes a viernes  
desde las 8 a. m. hasta las 5 p. m., hora del Este

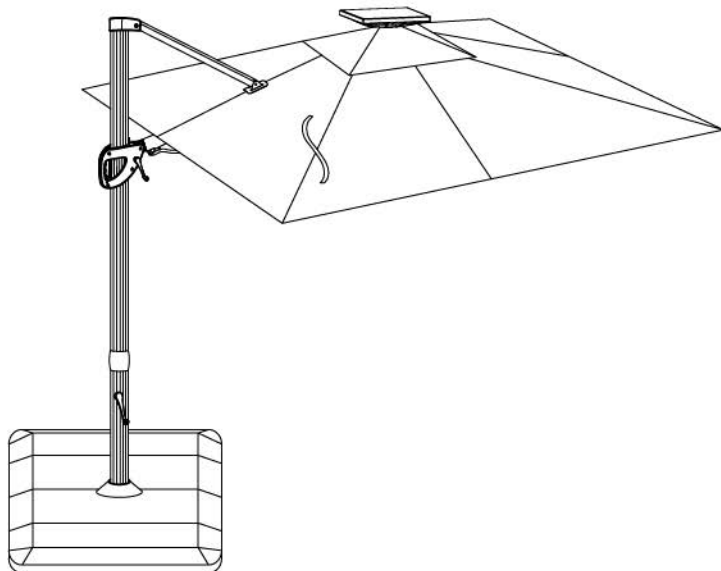


3,04 m/10 ft Hängparasoll  
med soldriven  
LED-belysning och fot

Monterings-, bruks- och skötselanvisning

ART. / ART. 2327682, 2327702, 2327703

Modell: # UMB-965258



**VIKTIGT, SPARA FÖR FRAMTIDA REFERENS:  
LÄS NOGGRANT**

För support avseende användning, reservdelar eller kundtjänst, kontakta:

**ATLeisure, LLC**

Kundtjänst är tillgänglig via e-post på [customerservice@atleisure.com](mailto:customerservice@atleisure.com) eller  
via chatt på <https://help.atleisure.com> 8:00–17:00 EST, måndag–fredag.

Solo para uso doméstico al aire libre. No apto para uso comercial.

Konstruerad i  
USA Tillverkad i  
Kina



## Innehåll

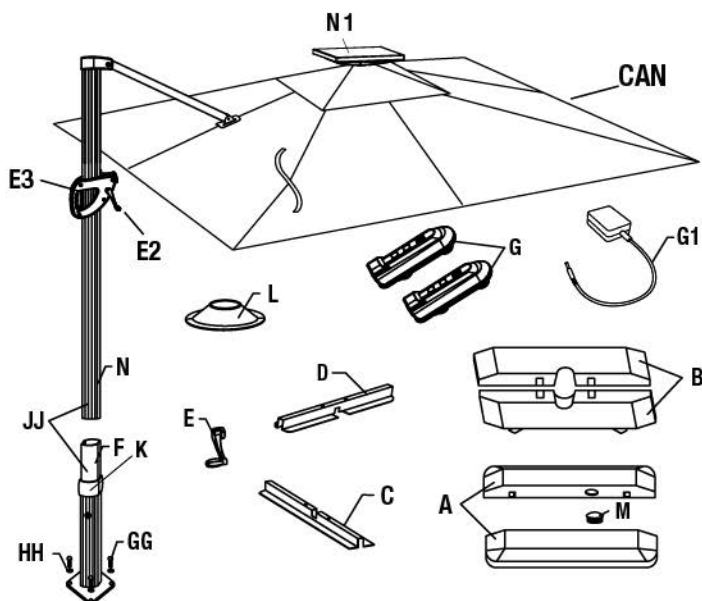
Förberedelser . . . . .	41
Verktyg som krävs för montering (medföljer inte) . . . . .	42
Monteringsdetaljer och förpackningens innehåll . . . . .	42
Monteringsinstruktioner . . . . .	43-45
Bruksanvisning . . . . .	45-47
Användning av belysning samt batteribyte . . . . .	48-49
Bortskaffning av batterier . . . . .	50
Skötsel och underhåll . . . . .	50
Varningar och försiktighetsåtgärder . . . . .	50
Garanti . . . . .	51
Garantianspråk . . . . .	51
Reservdelar . . . . .	52

## Förberedelser



Innan du börjar montera produkten, inspektera parasollet noga och säkerställ att alla delar har levererats. Lägg ut alla monteringsdetaljer på en ren, plan yta. Jämför delarna med komponentlistan och bilderna nedan. Om det finns skador eller saknade delar, (1) montera inte parasollet, (2) fyll inte foten med sand/vatten, (3) returnera inte produkten till inköpsstället. Kundtjänst är tillgänglig via e-post på [customerservice@atleisure.com](mailto:customerservice@atleisure.com) eller via chatt på <https://help.atleisure.com> 08:00–17:00 EST, måndag–fredag.

Beräknad monterings tid: 40 minuter

Verktyg som krävs för montering: U-nyckel eller skiftnyckel (medföljer inte)



## Verktyg som krävs för montering (medföljer inte)

Bild	Beskrivning	Kvantitet
	Skiftnyckel	1
	Arena (91 kg/200 lbs)	4

## Monteringsdetaljer

Del	Bild	Beskrivning	Kvantitet
GG		Sexkantsskruv M10-1,5x20 A2-70	4
HH		Plan bricka M10 A2-70	4
JJ		Insexskruv M8 A2-70	2
KK		Insexnyckel M8	1

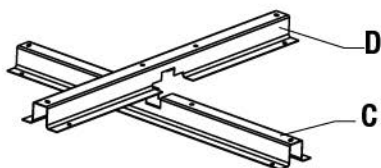
## Komponentlista

Del	Beskrivning	Kvantitet
A	Exterior de la base moldeada por soplado	2
B	Formsprutad fot, inre	2
C	Nedre stödkorsdel	1
CAN	Skärm (på parasollramen)	1
D	Övre stödkorsdel	1
E	360°-vev	1
E2	Skärmvev	1
E3	Glidhandtag för skärm	1
F	Hållarstång	1
G	Batteri	2
G1	Laddare	1
K	Stånghylsans krage	1
L	Lock för stångfäste	1
M	Formsprutat lock för foten	4
N	Parasollram (med skärm)	1
N1	Solpanel	1

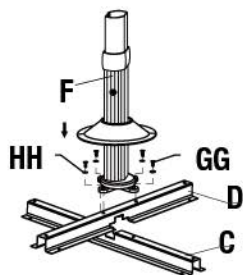
## Monteringsinstruktioner



**FÖRSIKTIGHET:** Använd inte vassa verktyg eller verktyg som kniv eller sax när du tar bort skyddsmaterialet, eftersom det kan skada produkten. Var försiktig så att du inte kastar bort smådelar som skruvar, brickor etc. som kan vara inslagna i skyddsmaterialet.



**Steg 1:** Placera den nedre stödkorsdelen (C) på marken, räkta upp skårorna och placera den övre stödkorsdelen (D) över den nedre (C).



**Steg 2:** Fäst hållarstäng (F) på basen med hjälp av skruvar (GG) och brickor (HH) (finns i blisterförpackningen). Dra inte åt för hårt. Justera hållarstäng (F) så att den sitter rätt på foten. Dra slutligen åt med en skiftnyckel eller en U-nyckel (medföljer inte).



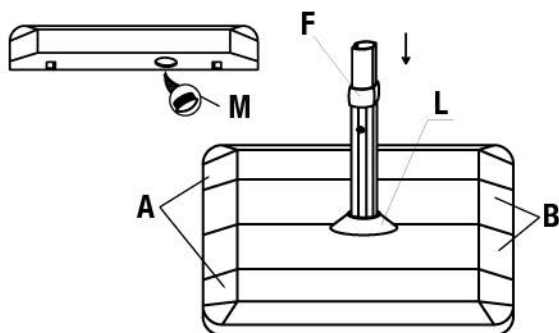
**WARNING:** Innan du öppnar parasollet, slutför monteringen enligt anvisningarna i bruksanvisningen. Fyll varje del av foten med sand. Tillsätt VATTEN för att fukta sanden och fortsätt att fylla varje del med så mycket vatten som möjligt. Förslut hålet med locket. Stödkorset bör belastas med minst 90 kg för att vara stabilt. Annars kan foten bli obalanserad, med följd att parasollet välter. Detta kan medföra skador på personer och saker.

### Sand (4 påsar)



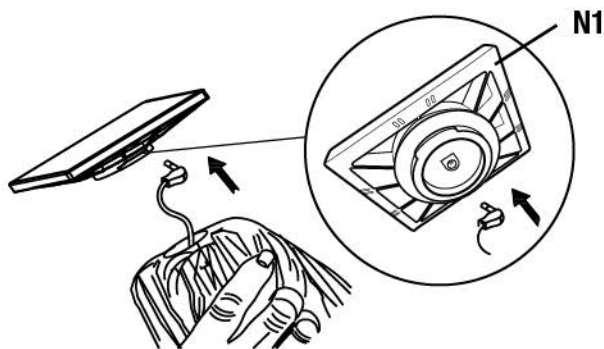
**91 kg / 200 lbs**

\*Påsar ingår inte

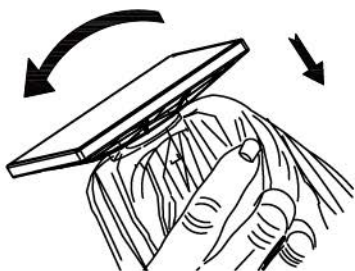


**Steg 3:** Fyll varje fotsektion (A och B) med sand och sätt på locket (M). Placera locket för stångfästet (L) på hållarstäng (F), ovanpå den formsprutade foten (B).

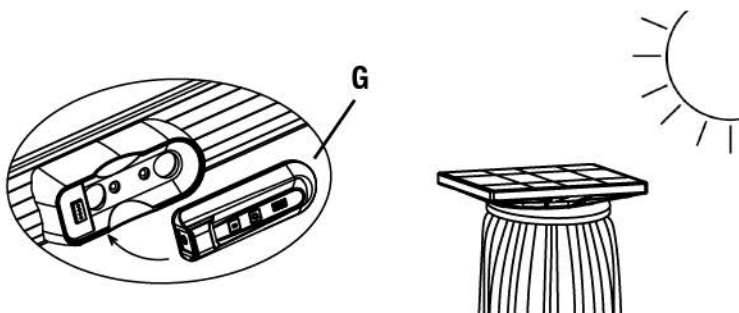
## Monteringsinstruktioner (forts.)



**Steg 4:** Sätt stickkontakten i uttaget under solpanelen enligt bilden ovan.



**Steg 5:** Placera solpanelen ovanpå parasollet och göm pluggen och kabeln i spåret högst upp. Vrid sedan solpanelen medurs. Dra inte åt för hårt.



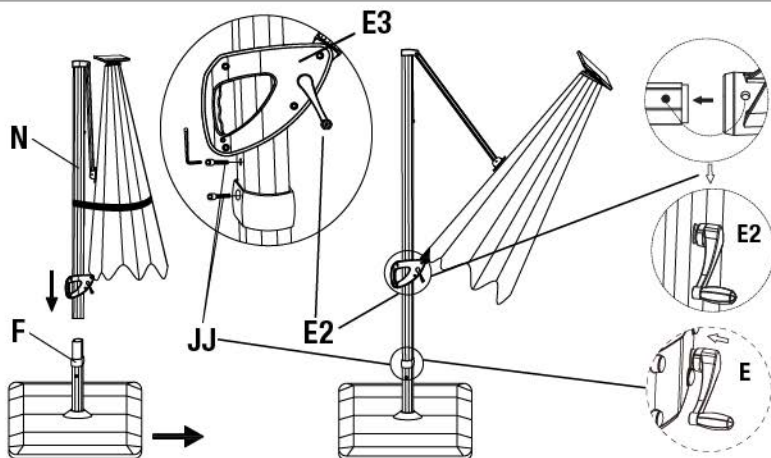
**Steg 6:** Ta ut batteriet (G) ur tillbehörssatsen och placera det i fästet på glidhandtagets arm. Placera sedan parasollet i direkt solljus utomhus för att ladda solpanelen i 8 timmar före första användningen.

**SE TILL ATT LED-LAMPORNA ÄR SLÄCKTA PÅ PARASOLLET FÖR ATT LÅTA SOLPANELEN LADDA BATTERIET HELT.**

## Monteringsinstruktioner (forts.)

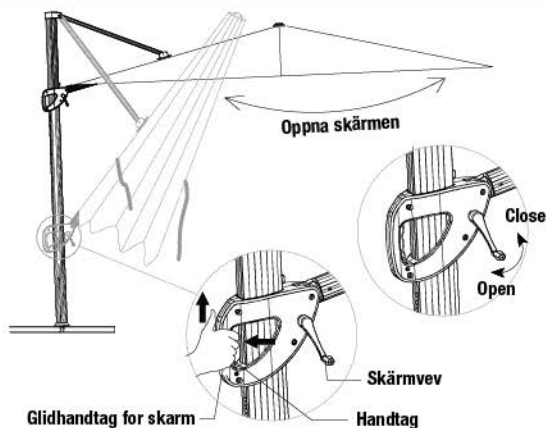


**FÖRSIKTIGHET:** Två personer bör hjälpas åt för att sätta parasollet i stångfästet.



**Steg 7:** Sätt in parasollramen med skärmen (N) på hållarstängens (F). Skjut samtidigt stånghylsans krage på hållarstängens. Dra åt de två insexskruvorna (JJ) i hållarstängens för med insexnyckeln (KK) för att fixera parasollet. Fäst veven (E2) på skärmens glidhandtag (E3) och 360°-veven (E) på stolpen.

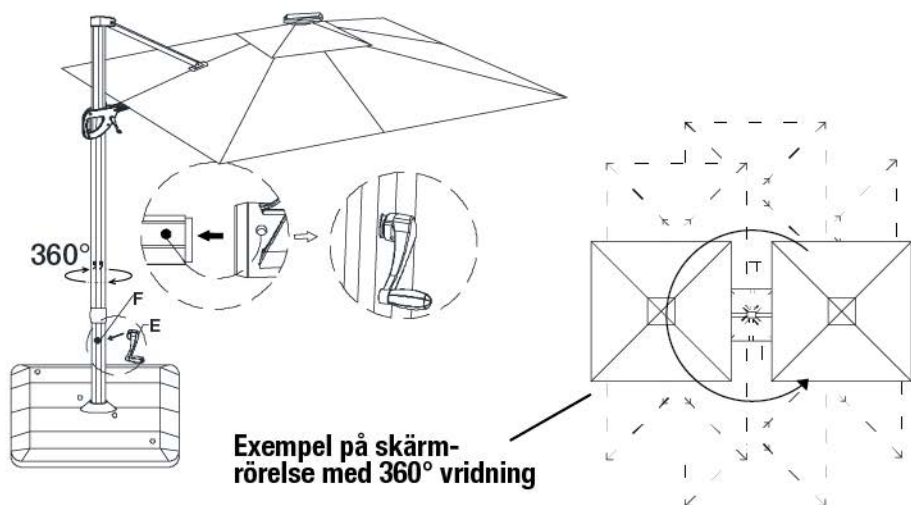
## Bruksanvisning



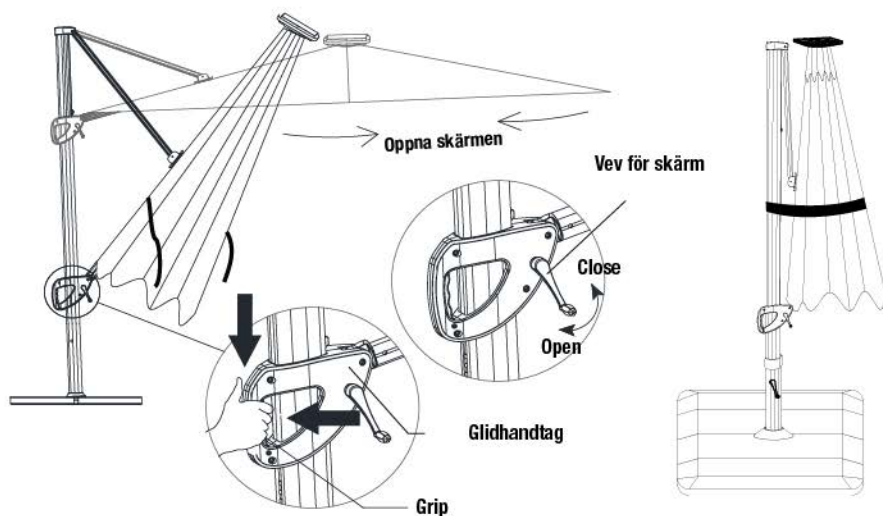
**Steg 1:** Lossa förvaringsremmarna runt skärmen och stängens.

**Steg 2:** För att öppna parasollet, tryck på greppet på skärmens glidhandtag (E3) och skjut det uppåt eller nedåt på stolpen för att ställa in önskad skärmvinkel. Lossa greppet för att låsa skärmramen i detta läge. Öppna skärmen genom att vrida veven (E2) medurs tills skärmen är helt öppen som bilden visar. Mittbelysningsenheten under skärmen ska ligga an mot mittstängens.

## Bruksanvisning (forts.)



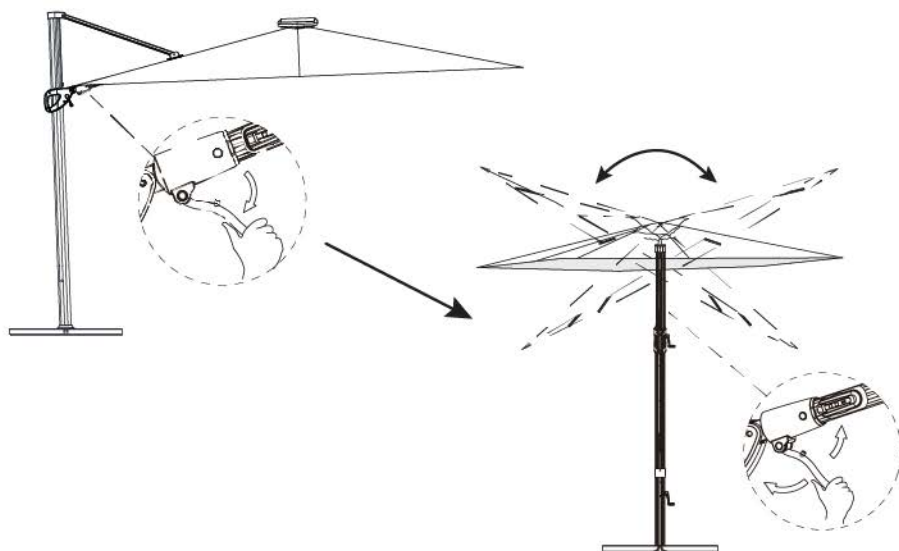
**Steg 3:** Skärmen kan vridas 360°. För att vrida parasollet, sätt in veven (E) på hållarstången (F) och vrid veven till önskat läge.



**Steg 4:** Stäng skärmen genom att vrida veven (E2) moturs tills skärmen är helt stängd. Tryck på greppet på skärmens glidhandtag (E3) och skjut det nedåt på stolpen. Släpp greppet för att låsa det på plats. Skärmramen ska vara vertikalt uppriktad. Fäst förvaringsremmarna runt skärmen och stänggen.



## Bruksanvisning (forts.)



**Steg 5:** För att vrida skärmen åt vänster och höger, dra i handtagets upplåsningsmekanism och vrid till önskad vinkel. Återställ sedan handtaget till låst läge för att säkra det.

Denna produkt uppfyller kraven i del 15 av FCC-reglerna. För att använda produkten ska följande två villkor uppfyllas: (1) Produkten får inte orsaka störningar och (2) produkten måste tåla eventuella mottagna störningar, inklusive störningar som kan orsaka oönskad drift.

**OBS:** Denna utrustning har testats och funnits uppfylla gränsvärdena för digital enhet av klass B, enligt del 15 i FCC-reglerna. Dessa gränser är utformade för att ge ett rimligt skydd mot skadlig interferens vid installation i en bostad. Denna utrustning genererar, använder och kan utstråla radiofrekvent energi. Om den inte installeras och används i enlighet med instruktionerna kan den orsaka skadliga störningar på radio- eller tevemottagning, vilket användaren kan kontrollera genom att stänga av och slå på utrustningen. Användaren uppmanas att försöka korrigera störningen med en eller flera av följande åtgärder:

**i**

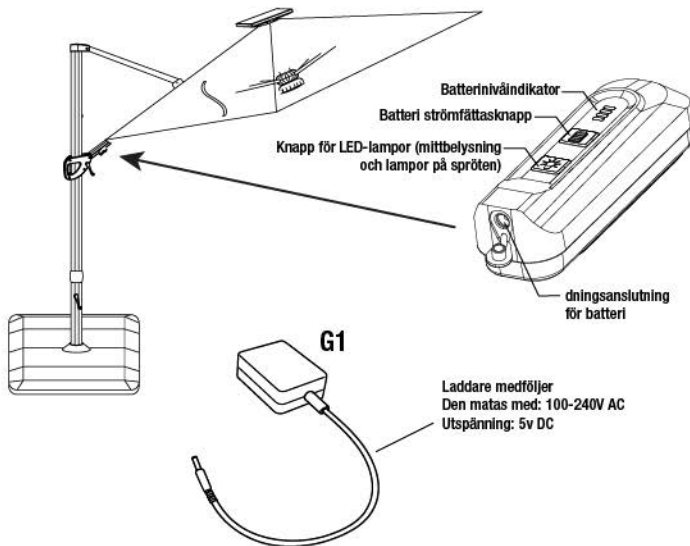
- Vrid eller flytta den mottagande antennen.
- Öka avståndet mellan utrustningen och mottagaren.
- Anslut utrustningen till ett eluttag som hör till en annan säkringsgrupp än den som mottagaren är ansluten till.
- Rådfråga återförsäljaren eller en erfaren radio-/tv-tekniker.



## Användning av belysning samt batteribyte



**FÖRSIKTIGHET: DU MÅSTE LADDA BATTERIET FÖRE FÖRSTA ANVÄNDNINGEN.** Observera att batteriet kan tappa laddning om det inte används eller laddas under en längre tid. Om batteriet inte laddas kommer lamporna i parasollet att slockna för tidigt. Säkerställ att belysningsomkopplaren står i läge OFF när du laddar solpanelen. För normal användning, ställ belysningsomkopplaren i läge ON när du vill använda belysningen och i läge OFF efter användning. SE TILL ATT BELYSNINGSOMKOPPLAREN STÅR I LÄGE OFF UNDER DAGTID FÖR ATT SOLPANELEN SKA HINNA LADDA BATTERIET.



Tryck på ljusknappen en gång för att tända HUB-ljus. Tryck andra och tredje gången för att justera ljusstyrkan för HUB-ljuset. Tryck en fjärde gång för att tända ribbelysningen och stänga av HUB-ljus. Tryck en femte gång för att tända både rib- och HUB-ljus. Tryck en sjätte gång för att nå medelstark ljusstyrka. Tryck en sjunde gång för att nå maximal ljusstyrka. Tryck en åttonde gång för att släcka alla lampor.

Parasollet är utrustat med 2 löstagbara fjärrkontroller. Ta bort batteriet från hubben när fjärrkontrollen har laddats ur. Byt ut fjärrkontrollen när den är fulladdad. När solenergin är otillräcklig. Du kan använda adaptern för att ladda fjärrkontrollerna inomhus. Laddningsnivån kan ses på fjärrkontrollens effektmätare.

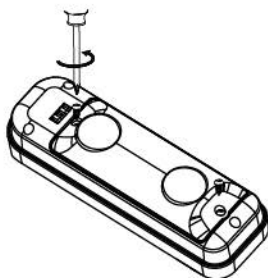
**INFORMATION:** Batteriet är avsett att laddas inomhus. Att lämna batteriet utomhus och väderutsatt kommer att skada batteriet och strömförsörjningen.

Batteriet är fulladdat efter 3–4 timmars laddning från eluttag eller 6–8 timmars direkt solljus. Batteritiden är 6–8 timmar när det är fulladdat. Laddaren är endast avsedd för inomhusbruk. Den får inte användas utomhus.

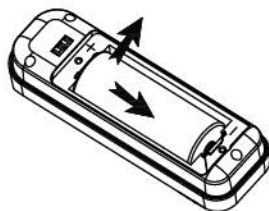
Denna enhet uppfyller del 15 av FCC-reglerna. För att använda produkten ska följande två villkor uppfyllas: (1) Produkten får inte orsaka störningar och (2) produkten måste tåla eventuella mottagna störningar, inklusive inklusive störningar som kan orsaka oönskad drift.

## Användning av belysning samt batteribyte (forts.)

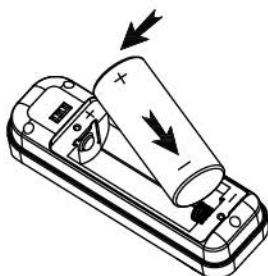
Ifall batteriet inuti batteripaketet skulle nå slutet av sin livscykel, kan det bytas ut mot ett nytt batteri (säljs separat).



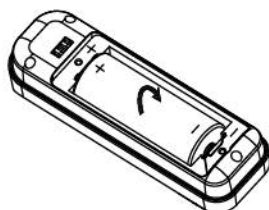
**Steg 1:** Lossa skruvarna på baksidan av batteripaketet.



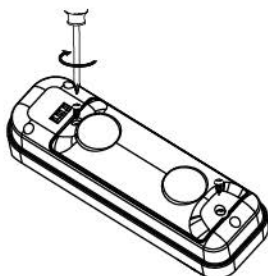
**Steg 2:** Ta bort locket och ta bort batteriet.



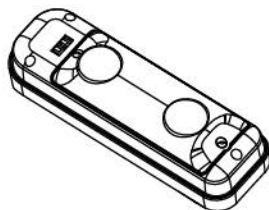
**Steg 3:** Sätt i ett nytt batteri i rätt riktning enligt markeringen, med ett nytt batteri Model #26650 3,6V 5000mAh.



**Steg 4:** Vrid batteriet för att se till att det sitter ordentligt i fjärrkontrollen, dubbelkolla att batteriets polaritet är korrekt.



**Steg 5:** Sätt tillbaka locket och dra åt skruvarna.



**Steg 6:** Ditt batteripaket är nu redo för laddning.

## Bortskaffning av batterier

- Batteriet ska återvinnas eller bortskaffas enligt gällande nationella och lokala riktlinjer.
- Släng inte batterier i eld.
- Förvara batteriet/batterierna utom räckhåll för barn.

## Skötsel och underhåll

Se den bifogade Sunbrella®-etiketten för skötsel och rengöring. Den är fastsydd på insidan av skärmen.

## Varningar och försiktighetsåtgärder



**FARA:** Håll barn borta från monteringsområdet under montering.



**WARNING:** Läs alla anvisningar innan du börjar och följ anvisningarna. Underlåtenhet att montera och installera produkten enligt anvisningarna kan resultera i att parasollet välter och orsakar personskador och/eller saksador.



**WARNING:** Öppna inte parasollet i blåsiga förhållanden eftersom det kan blåsa omkull och orsaka personskador eller saksador. För att säkra parasollet, skruva fast det direkt på däcket eller uteplatsen, eller använd en fot med korrekt viktbelastning. Håll parasollet på avstånd från glasbord om det blåser – annars kan stora skador uppstå. Garantin täcker inte skador som orsakas av försummelse, missbruk eller dåliga väderförhållanden.



**WARNING:** Använd endast den medföljande laddaren (5 V/1 A) för att ladda batteriet, eller en annan laddare med samma data. Användning av en laddare eller motsvarande med högre utspänning kommer att skada batteriet. Den medföljande laddaren (5 V/1 A) har en DC-stickkontakt av följande storlek: 5,5 x 2,5 x 10 mm.



**FÖRSIKTIGHET:** Montera och använd parasollet på plan mark.



**FÖRSIKTIGHET:** Placera foten på önskad plats innan den fylls. När foten är fylld är den svår att flytta.



**FÖRSIKTIGHET:** Innan du öppnar parasollet, sätt stickkontakten i uttaget under solpanelen. Placera solpanelen högst på i parasollet och göm stickkontakten och kabeln i spåret högst upp på parasollet. Vrid sedan solpanelen medurs. Dra inte åt för hårt.



**INFORMATION:** Se till att säkra och/eller tynga ner parasollets fot.



**INFORMATION:** Stäng parasollet och använd skärmens förvaringsremmar när parasollet inte används. Om parasollet förvaras i en låda mellan användningssäsonger måste solpanelen och batteripaketet tas bort för att undvika skador.



**INFORMATION:** Bilderna i denna bruksanvisning är endast avsedda att illustrera montering och drift. De kan skilja sig från parasollets faktiska utseende.



**INFORMATION:** Det är lämpligt att använda ett skyddshölje (medföljer inte) för att skydda parasollet mot väderinverkan.

## Garantía

---

Denna produkt omfattas av tillverkarens 2-åriga garanti från inköpsdatum, avseende defekter i material och utförande. Denna garanti täcker inte skador som orsakas av försummelse, missbruk eller väderrelaterade skador. För fullständig information om garantin, mejla oss på [customerservice@atleisure.com](mailto:customerservice@atleisure.com) eller chatta med oss på <https://help.atleisure.com>

### UNDANTAG FRÅN GARANTIN

Denna garanti undantar följande: Naturens inverkan (dvs. vind, brand, frysning); skador som orsakas av felaktig montering, olycka, katastrof, felaktig användning, missbruk, eller vårdslöshet samt missfärgning eller blekning av ytan på grund av exponering för elementen. Produkten är inte avsedd för kommersiellt bruk. Denna garanti ger dig specifika rättigheter, men du kan även ha andra rättigheter, som kan skilja sig från land till land.

**AUSTRALIEN:** Våra produkter säljs med garantier som inte kan uteslutas enligt den australiska konsumentlagen. Du har rätt till ersättning eller återbetalning i händelse av ett större fel samt till ersättning för varje annan rimligen förutsebar förlust eller skada. Du har också rätt att få produkterna reparerade eller utbyta om de inte håller godtagbar kvalitet och felet inte kan räknas som ett större fel.

## Garantianspråk

---

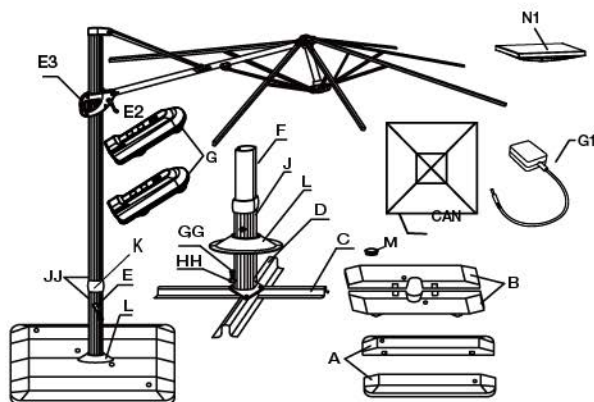
Om garantiperioden fortfarande löper kan du lämna in ett anspråk genom att skicka ditt kvitto och bilder på ditt skadade parasoll till ATLeisure på:

E-post: [customerservice@atleisure.com](mailto:customerservice@atleisure.com) eller chatta med oss på <https://help.atleisure.com>  
kl. 08:00 till 17:00 EST (måndag–fredag)

Tillverkad i Kina

## Reservdelar

Endast enskilda reservdelar som anges nedan är tillgängliga, och endast så länge lagret räcker. För reservdelar, mejla oss på [customerservice@atleisure.com](mailto:customerservice@atleisure.com) eller chatta med oss på <https://help.atleisure.com> 08:00 till 17:00 EST (måndag–fredag)



Del	Beskrivning	Kvantitet	Best.nr
A	Formsprutad fot, yttre	2	BSE-ABMP-P212
B	Formsprutad fot, inre	2	BSE-BBMP-P212
C	Nedre stödkorsdel	1	CSL-C78RX-P212
CAN	Skärm (Indigo, Mushroom, Pebble)	1	CAN-100SQ8RBS-T-IN2-C2 CAN-100SQ8RBS-T-MU2-C2 CAN-100SQ8RBS-T-PEB-C2
D	Övre stödkorsdel	1	CSL-D78RX-P212
E	360°-vev	1	CRK-E78RHP-P212
E2	Skärmvev	1	CRK-E78RHP-P212
E3	Glidhandtag för skärm	1	CRK-778RG-P212
F	Hållarstäng	1	HDP-F78RX-P212
G	Batteri	2	SOL-G-2023
G1	Laddare	1	SOL-G1-P212
K	Stånghylsans krage	1	HDP-SLV-P212
L	Lock för stångfäste	1	PSC-L78R-P212
M	Formsprutat lock för fote	4	BSE-CAP-P212
N1	Solpanel	1	SOL-PAN-P212
KIT	Monteringsdetaljsats (965258)	4	HDW-965258-KIT

N.º de patente EE.UU. 5,937,882, N.º de patente EE.UU. 8,104,492, N.º de patente EE.UU. 6,612,713, N.º de patente EE.UU. 7,753,546, N.º de patente EE.UU. 8,069,868, N.º de patente EE.UU. 8,375,966, N.º de patente EE.UU. 8,727,555, N.º de patente EE.UU. 8,794,781

Distributed by:  
Costco Wholesale Corporation  
P.O. Box 34535  
Seattle, WA 98124-1535  
USA  
1-800-774-2678  
www.costco.com

Costco Wholesale Canada Ltd.\*  
415 W. Hunt Club Road  
Ottawa, Ontario  
K2E 1C5, Canada  
1-800-463-3783  
www.costco.ca  
\* faisant affaire au Québec sous  
le nom les Entrepôts Costco

Importado por:  
Importadora Primex S.A. de C.V.  
Blvd. Magnocentro No. 4  
San Fernando La Herradura  
Huixquilucan, Estado de México  
C.P. 52765  
RFC: IPR-930907-S70  
(55)-5246-5500  
www.costco.com.mx

Costco Wholesale Australia Pty Ltd  
17-21 Parramatta Road  
Lidcombe NSW 2141  
Australia  
www.costco.com.au

Costco Wholesale UK Ltd/  
Costco Online UK Ltd  
Hartspring Lane  
Watford, Herts  
WD25 8JS  
United Kingdom  
01923 213113  
www.costco.co.uk

Costco Wholesale Spain S.L.U.  
Polígono Empresarial Los Gavilanes  
C/ Agustín de Betancourt, 17  
28906 Getafe (Madrid) España  
NIF: B86509460  
900 111 155  
www.costco.es

Costco Wholesale Iceland ehf.  
Kauptún 3-7, 210 Gardabaer  
Iceland  
www.costco.is

Costco France  
1 avenue de Bréhat  
91140 Villebon-sur-Yvette  
France  
01 80 45 01 10  
www.costco.fr

Costco Wholesale Japan Ltd.  
2 Kakuchi, 2 Gaiku,  
Kaneda-Nishi  
361 Unikura, Kisarazu shi  
Chiba, 292-0007 Japan  
0570-200-800  
www.costco.co.jp

Costco Wholesale Korea, Ltd.  
40, Iljik-ro  
Gwangmyeong-si  
Gyeonggi-do, 14347, Korea  
1899-9900  
www.costco.co.kr

Costco Wholesale New Zealand Limited  
2 Gunton Drive  
Westgate  
Auckland 0814  
New Zealand  
www.costco.co.nz

Costco (China) Investment Co., Ltd.  
Room 1003, Block 2, 2389 Xiupu Road,  
Pudong New Area, Shanghai  
China 201315  
+86-21-6257-7065

Costco Wholesale Sweden AB  
Box 614  
114 11 Stockholm  
Sweden  
www.costco.se

MADE IN CHINA  
FABRIQUÉ EN CHINE  
HECHO EN CHINA  
TILLVERKAD I KINA



www.atleisure.com  
ATLANTA, GEORGIA, AMERIKAS FÖRENTA STATER  
Kundtjänst är tillgänglig via e-post på  
customerservice@atleisure.com eller via chatt på  
https://help.atleisure.com 8:00–17:00 EST,  
måndag–fredag.