

6 PIECE ELECTRIC S'MORES MAKER

INTRODUCTION

Congratulations on your purchase of the Electric S'mores Maker. Please read all instructions and warnings prior to use. Keep this sheet as it contains important information for future reference.

S'MORE COOKING

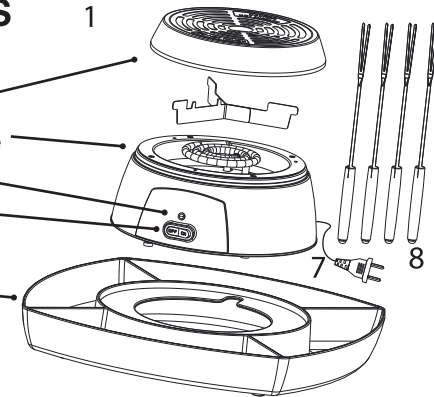
1. Place the stove cover over the stove so that it covers the top completely.
2. Place the stove on top of the food tray.
3. Fill the compartments of the food tray with desired food items, i.e. crackers, marshmallows, chocolate, peanut butter.
4. Plug in the stove.
5. Turn the switch on the front of the appliance to the "ON" position. On/Off light should illuminate. Please allow for at least 5 to 10 minutes for the appliance to preheat.
Note: The stove may give off a red glow because of the heat.
6. Prepare a s'more with a chocolate bar atop a cracker.
7. Using the prongs, pick up a marshmallow.
8. Hold the prong by the handle and hold the marshmallow over the heat. Try not to touch the cover.
9. Rotate frequently until the marshmallow gets a light brown or until desired results are achieved.
10. Once ready, place the marshmallow on the chocolate bar and place another cracker on top, completing your s'more. Enjoy!
11. Once you are done, turn the switch in to the "OFF" position and unplug from the outlet.

CLEANING

1. Make sure the appliance is unplugged and cool before cleaning
2. Remove the top cover from the base
3. The base should only be cleaned by wiping with a damp, non-abrasive cloth
4. Do not submerge the base in any liquid
5. Dry the base thoroughly before storage
6. The prongs and top cover should be hand-washed only. Not dishwasher safe.

COMPONENTS

- 1- S'mores Stove
- 2- Stove Cover
- 3- Main Unit Base
- 4- On/Off Light
- 5- On/Off Switch
- 6- Power Cord
- 7- Food Tray
- 8- Prongs (4)



COOKING WARNINGS

1. Cooking a marshmallow typically takes approximately 2 minutes. Do not overcook the marshmallow as it may melt and fall onto the heating element.
2. Clean unit if food falls onto stove or cover. Allow for at least 20 minutes for the appliance to cool down before cleaning.
3. NEVER touch any of the stainless-steel parts with your hands while the appliance is ON.
4. Keep at least 8" of clearance on all sides and do not place it under a cabinet when in use. A little smoke is normal when you first use the machine.
5. This appliance has a polarized plug (one blade is wider than the other). To reduce the risk of electric shock, this plug is intended to fit into a polarized outlet only one way. If the plug does not fit fully into the outlet, reverse the plug. If it still does not fit, contact a qualified electrician. Do not attempt to modify the plug in any way.

©2018 MerchSource, LLC. Irvine, CA 92618. All rights reserved.

For technical support, please call 1-800-374-2744.

KEEP THIS INSTRUCTION MANUAL AS IT CONTAINS IMPORTANT INFORMATION FOR FUTURE REFERENCE.

Due to continuous product improvements, the picture on the manual may differ slightly from the actual product.

6 PIECE ELECTRIC S'MORES MAKER

This appliance has a polarized plug (one blade is wider than the other). To reduce the risk of electric shock, this plug is intended to fit into a polarized outlet only one way. If the plug does not fit fully into the outlet, reverse the plug. If it still does not fit, contact a qualified electrician. Do not attempt to modify the plug in any way.

- a) A short power-supply cord (or detachable power-supply cord) is provided to reduce the risk resulting from becoming entangled in or tripping over a longer cord.
- b) Longer detachable power-supply cords or extension cords are available and may be used if care is exercised in their use.
- c) If a longer detachable power-supply cord or extension cord is used:
 - 1) The marked electrical rating of the cord set or extension cord should be at least as great as the electrical rating of the appliance;
 - 2) The cord should be arranged so that it will not drape over the countertop or tabletop where it can be pulled on by children or tripped over unintentionally; and
 - 3) If the appliance is of the grounded type, the cord set or extension cord should be a grounding-type 3-wire cord.

IMPORTANT SAFEGUARDS

When using electrical appliances, basic safety precautions should always be followed including the following:

1. Read all instructions.
 2. Do not touch hot surfaces. Use handles or knobs.
 3. To protect against electrical shock do not immerse cord, plugs, or (state specific part or parts in question) in water or other liquid.
 4. Close supervision is necessary when any appliance is used by or near children.
 5. Unplug from outlet when not in use and before cleaning. Allow to cool before putting on or taking off parts.
 6. Do not operate any appliance with a damaged cord or plug or after the appliance malfunctions or has been damaged in any manner. Return appliance to the nearest authorized service facility for examination, repair, or adjustment.
 7. The use of accessory attachments not recommended by the appliance manufacturer may cause injuries.
 8. Do not use outdoors (this item may be omitted if the product is specifically intended for outdoor use).
 9. Do not let cord hang over edge of table or counter, or touch hot surfaces.
 10. Do not place on or near a hot gas or electric burner, or in a heated oven.
 11. Extreme caution must be used when moving an appliance containing hot oil or other hot liquids.
 12. Always attach plug to appliance first, then plug cord into the wall outlet. To disconnect, turn any control to "off", then remove plug from wall outlet.
 13. Do not use appliance for other than intended use.
 14. **Save these Instructions.**
1. Do not place metallic objects such as knives, forks, spoons and lids on the Table Stove since they can get hot.



S'mores Maker is 120Vac 60Hz 345W Intertek

©2018 MerchSource, LLC. Irvine, CA 92618. All rights reserved.

For technical support, please call 1-800-374-2744.

KEEP THIS INSTRUCTION MANUAL AS IT CONTAINS IMPORTANT INFORMATION FOR FUTURE REFERENCE.

Due to continuous product improvements, the picture on the manual may differ slightly from the actual product.