

“Walk the path & Measure the space”

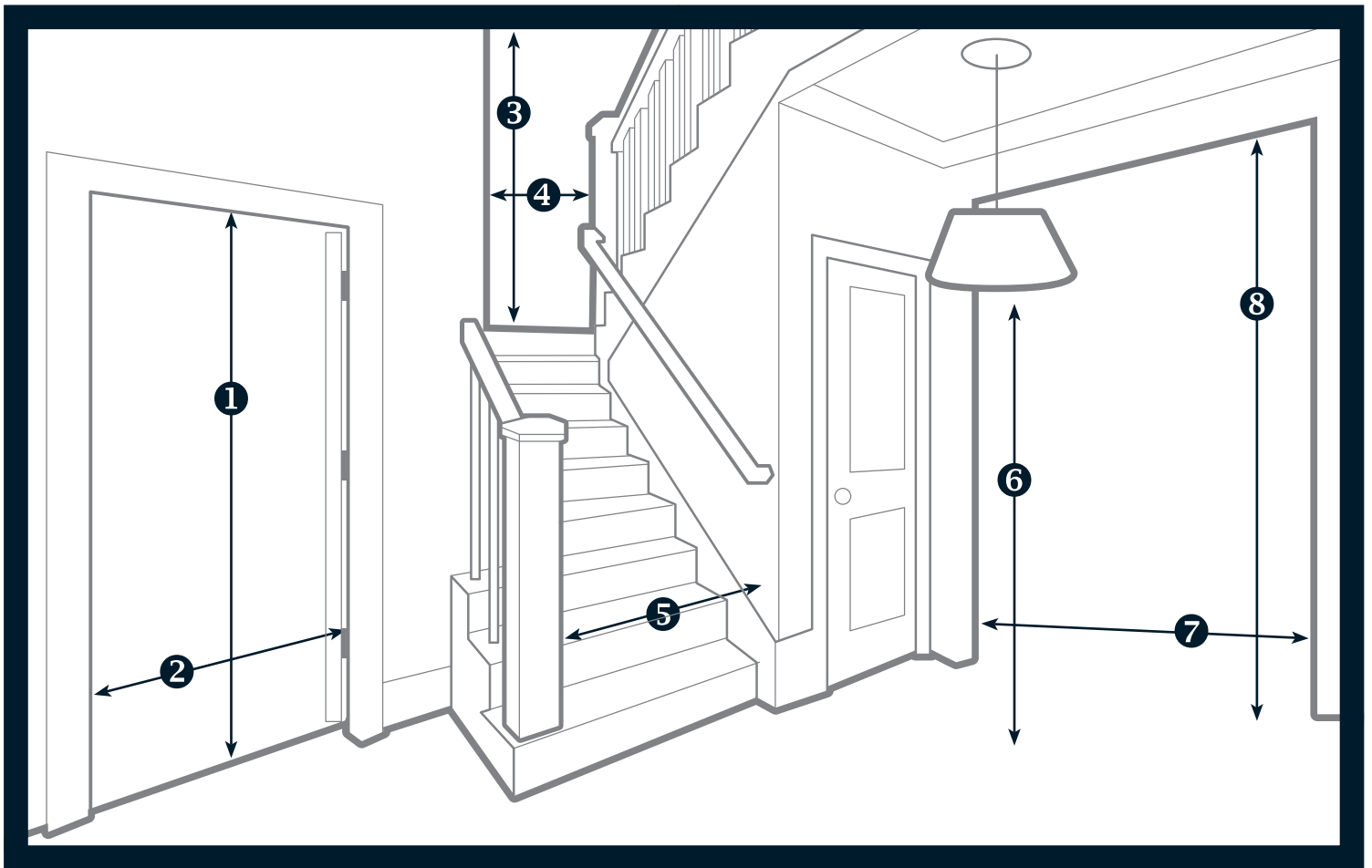
Prior to your purchase and delivery, please utilize this guide to verify clearance measurements of doors, stairways, fixtures, hallways, and/or elevators.

Will your hallway size allow the furniture to move through?

Will the furniture fit through all doorways?

Will the furniture fit up your stairway?

Is your room ready for the product?



- 1 Exterior/Front doorway height
- 2 Exterior/Front doorway width & clearance to opposite wall
- 3 Stairwell overhang/ceiling height
- 4 Staircase corner width & clearance to opposite wall upstairs if your stairs curve
- 5 Staircase width
- 6 Low hanging light fixtures
- 7 Interior doorway width & clearance to opposite wall
- 8 Interior doorway height

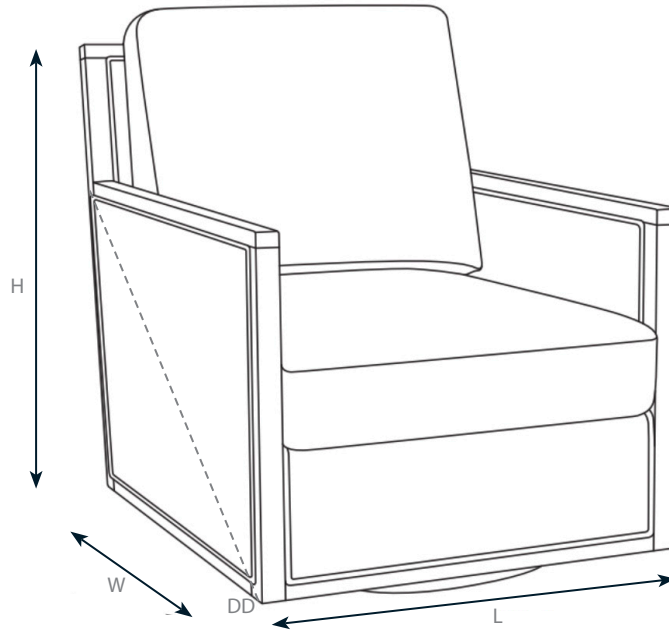
For apartment buildings or homes with elevators, it is important to measure the elevator opening, and opposite wall distance.

HOW YOUR FURNITURE IS MEASURED

Your furniture is measured by length, width, and height (as seen below) to determine how much floor and wall space your new furniture will occupy.

MEASURING FOR YOUR FURNITURE ARRIVAL

Measure the diagonal depth and width of the furniture (as seen below) to determine if it will fit through your home's entryways.



Length **L** must be less than entryway dimension **1**, stairway dimensions **5, 4, & 3** and all interior doorways **7** or **8**.

Diagonal depth **DD** must be less than the entryway dimension **2**, stairway dimensions **5, 4, & 3** and all interior doorways **7** or **8**.

PREPARING FOR YOUR FURNITURE ARRIVAL

Before purchasing your new furniture, note all important measurements and obstructions to ensure a successful delivery. Prepare your home by doing the following:

(Please Note: a delivery team is unable to hoist furniture, remove windows, or make these preparations for you)

- Secure low hanging light fixtures
- Remove pictures or art
- Set rugs in place
- Remove doors if necessary
- Place pets in another room
- Move other furniture

During delivery, please inspect your furniture thoroughly and immediately report any damage to ensure the issue is resolved in a timely manner.

YOUR MEASUREMENTS

ex: FRONT DOOR 38"W 80"H

| | | | | | | | | |
|--|--|--|--|--|--|--|--|--|
| | | | | | | | | |
| | | | | | | | | |
| | | | | | | | | |