

# WA55CG7500AE

# SAMSUNG

## 5.5 cu. ft. Extra-Large Capacity Smart Top Load Washer with Auto Dispense System



### Available Color



### Features

- Auto Dispense System
- Extra-Large 5.5 cu. ft. Capacity
- Super Speed Wash
- Wi-Fi Connectivity With SmartThings\*
- Active WaterJet
- 20-Year Motor Warranty\*\*
- Deep Fill
- Vibration Reduction Technology+
- Swirl+ Tub Interior
- Self Clean
- Soft-Close Lid
- ENERGY STAR® Certified
- Stainless Steel Pulsator
- Smart Care\*\*\*
- Accessibility (AUI, Braille)
- 750 RPM Maximum Spin Speed
- Digital Inverter Motor
- 17 Total Washing Cycles
- 11 Washing Options

### Convenience

- Child Lock
- Dispenser Trays: Main Wash, Softener, Bleach, Auto Detergent, Auto Softener

### Ratings



ENERGY STAR® Rated:

IMEF = 2.3

IWF = 3.8

120 kWh/yr

### Electrical Requirements

120 V / 60 Hz

15 Amps

### Specifications

#### 12 Preset Washing Cycles:

Normal, Bedding/Waterproof, Heavy Duty, Colors, Whites, Activewear, Delicates, Quick Wash, Self Clean, Rinse + Spin, Deep Wash, Downloaded

#### 5 Downloadable Washing Cycles:

Permanent Press, Wool, Eco Cold, Denim, Power Rinse

#### 11 Washing Options:

Delay End, Presoak, Sound On/Off, Child Lock, Deep Fill, Super Speed, Smart Care, Smart Control, Spin Only, Detergent (Auto Dispense System), Softener (Auto Dispense System)

#### 5 Temperature Settings:

Hot, Warmer, Warm, Cool, Cold

#### 5 Soil Settings:

Heavy, Heavy Medium, Normal, Low Medium, Light

#### 5 Spin Settings:

High, Medium High, Medium, Low, No Spin

### Warranty

One (1) Year Parts and Labor

Three (3) Years Stainless Steel Tub (Part Only)

Twenty (20) Years Washing DIT (Digital Inverter Motor) Motor Part (Part Only)

### Product Dimensions & Weight (WxHxD)

Dimensions: 27<sup>9</sup>/<sub>16</sub>" x 45<sup>13</sup>/<sub>16</sub>" x 29<sup>7</sup>/<sub>16</sub>"  
Weight: 134.5 lbs

### Shipping Dimensions & Weight (WxHxD)

Dimensions: 30<sup>1</sup>/<sub>8</sub>" x 47<sup>11</sup>/<sub>16</sub>" x 31<sup>1</sup>/<sub>4</sub>"  
Weight: 143.3 lbs

Washer	Model #	UPC Code
Ivory	WA55CG7500AE	887276760391
Matching Electric Dryer		
Ivory	DVE55CG7500E	887276764795
Matching Gas Dryer		
Ivory	DVG55CG7500E	887276764801

\*Available on Android and iOS devices. A Wi-Fi connection and a Samsung account are required.

\*\*20-year warranty limited to the Digital Inverter Motor purchased on 7/1/2022 or later. Purchase receipt indicating purchase date required for a claim. Additional restrictions and limitations apply, see warranty for details.

\*\*\*Requires Samsung Smart Washer/Dryer App. The Samsung Smart Washer/Dryer App supports Android OS 2.3.6 or later and iOS 3 or later for iPhone models. Samsung Smart Washer/Dryer App available in App Store and Play Store.

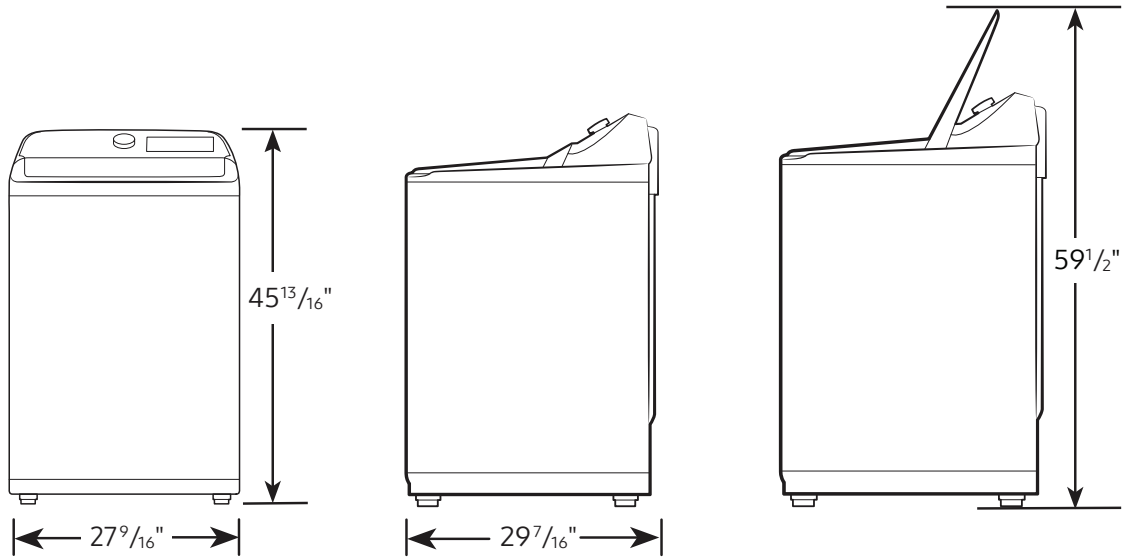
# WA55CG7500AE

# SAMSUNG

## 5.5 cu. ft. Extra-Large Capacity Smart Top Load Washer with Auto Dispense System

### Dimensions

Required dimensions for installation:

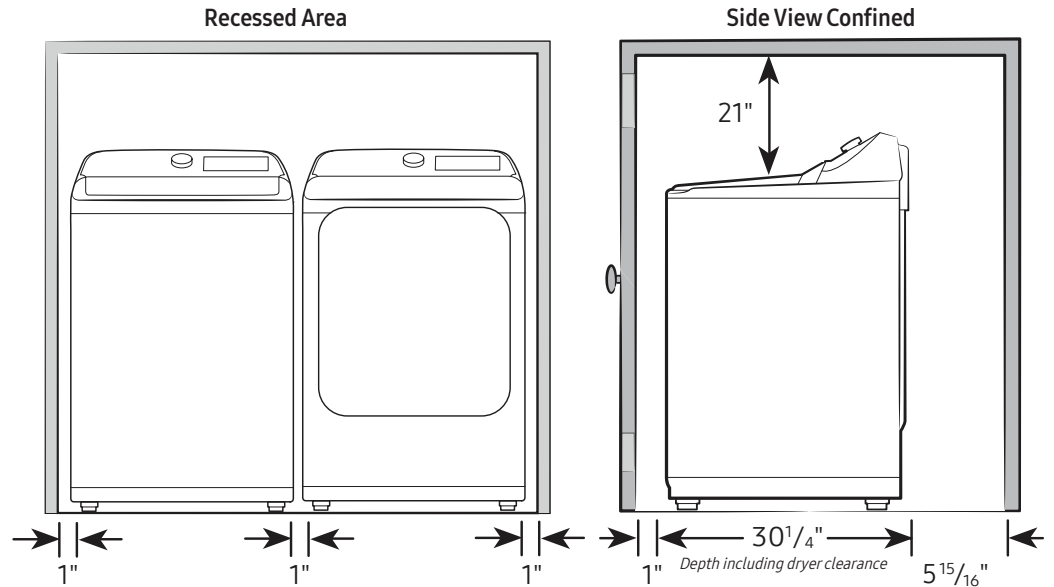


### Installation Specifications – Side-by-Side

If the washer and dryer are installed together or the dryer alone, the closet front must have two unobstructed air openings for a combined minimum total area of 72-inch<sup>2</sup>. Your washer alone does not require a specific air opening.

#### Alcove or closet installation

Minimum clearance for closet and alcove installations:

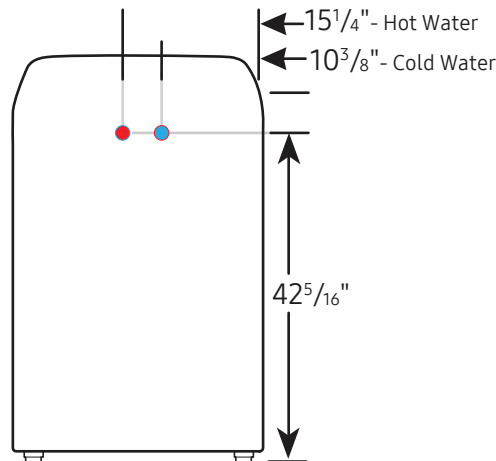


### Connection Dimensions

Back view of washer

#### LEGEND:

- Hot Water Connection
- Cold Water Connection



Actual color may vary. Design, specifications, and color availability are subject to change without notice. Non-metric weights and measurements are approximate.

©2023 Samsung Electronics America, Inc., 85 Challenger Road, Ridgefield Park, NJ 07660. Tel: 800-SAMSUNG.samsung.com. Samsung is a registered trademark of Samsung Electronics Co., Ltd.