

KUTF Reach-Ins

Reach-In Freezer with Solid Door

KUTF Reach-Ins

MODELS

KUTF2SS



KUTF2SS

STANDARD FEATURES

- Stainless-steel exterior front and sides.
- Complete stainless-steel interior with coved corner floors to meet NSF standards.
- “Ecomate” (GWP) (ODP) insulation, 2-3/8” thick.
- In step door design and full-length handle.
- One-piece magnetic door gasket, removable without tools.
- Zamak hinges for a durable long-lasting door.
- Door locks with universal key.
- R-290 Hydrocarbon, to meet DOE’s Energy Conservation standards with very low contribution to global warming (ODP-0) (GWP-3).
- Hermetic compressor, self-contained refrigeration with epoxy coated evaporator.
- Automatic evaporator: Paper fins not utilized in the evaporation process.
- Electronic controller with digital display.
- Accepts 18” x 26” sheet pans.
- Standard with 5” castors, front with brakes.
- Units with LED lighting.
- Meets the NSF-7 standard for food safety.

ELECTRIC

- 115V / 60Hz / 1Ph
- NEMA 5-15P
- Cord Length: 10 ft.

TEMPERATURE

- -4 °F to -8 °F based on an external environment of 90 °F and 65% RH.



KUTF Reach-Ins

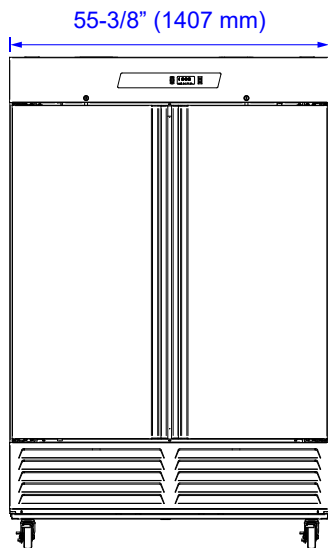
Reach-In Freezer with Solid Door

KUTF Reach-Ins

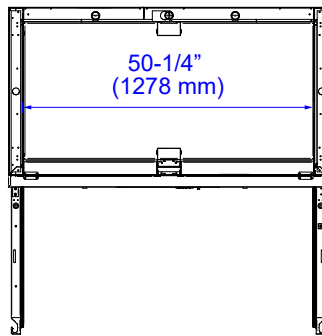
MODELS

KUTF2SS

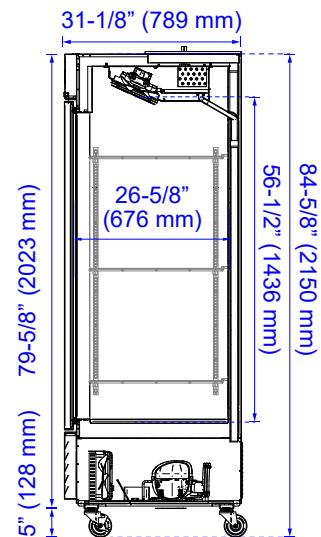
KUTF2SS FRONT



KUTF2SS TOP



KUTF2SS SIDE



MODEL	KUTF2SS
Full Amp. Loads	8.3
Compressor HP	1
Refrigerant	R-290
# of Doors	2
Volume (cu. ft.)	49
Ext. Width Overall	55 1/4"
Ext. Depth Overall ²	31 1/4"
Ext. Height Overall	80"
Int. Width Overall	50 1/4"
Int. Depth Overall	26 1/2"
Int. Height Overall	56 1/4"
# of Shelves - Std.	6
Shelf Size (L x D)	24 5/8" x 22 1/2"
Shipping Weight (lbs.)	500

TECHNICAL DATA

Height does not include castors.
Depth includes door handle.



Revision Date: January 27, 2023

Kutano assumes no liability for parts or labor coverage for component failure, factory defect or any other damages for units installed in non-commercial foodservice or residential applications.