

KUT Prep Table

Salad & Sandwich Prep Table

KUT Prep Table

MODELS

KUT 27 1D PT



KUT 27 1D PT

STANDARD FEATURES

- Stainless-steel exterior front and sides.
- Complete stainless-steel interior with coved corner floors to meet NSF standards.
- “Ecomate” (GWP) (ODP) insulation, 2” thick.
- One-piece magnetic door gasket, removable without tools.
- Air flow underneath the pans with bottom panel.
- Force air into the lower compartment for complete air circulation throughout your unit.
- R-290 Hydrocarbon, to meet DOE’s Energy Conservation standards with very low contribution to global warming (ODP-0) (GWP-3).
- Hermetic compressor, self-contained refrigeration with epoxy coated evaporator.
- Automatic evaporator: Paper fins not utilized in the evaporation process.
- Standard with 1/6 size pans, 4” deep.
- Full length removable white Nylamid NSF, 10” cutting board.
- Electromechanical controller.
- Standard with 5” castors, front with brakes.
- Meets the NSF-7 standard for food safety.

ELECTRIC

- 115V / 60Hz / 1Ph
- NEMA 5-15P
- Cord Length: 10 ft.

TEMPERATURE

- 32 °F to 38 °F based on an external environment of 90 °F and 65% RH.



KUT Prep Table

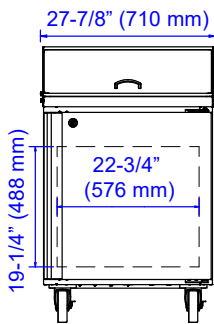
Salad & Sandwich Prep Table

KUT Prep Table

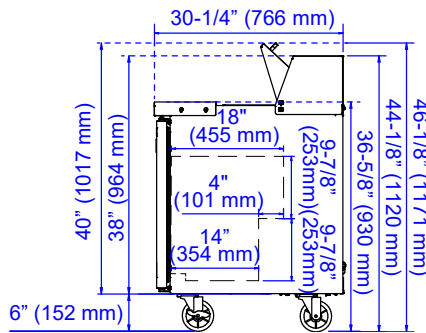
MODELS

KUT 27 1D PT

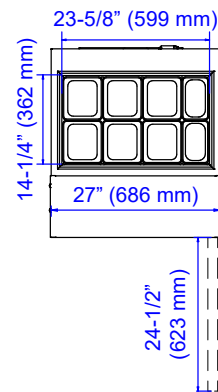
KUT 27 1D PT FRONT



KUT 27 1D PT SIDE



KUT 27 1D PT TOP



MODEL	KUT 27 1D PT
Full Amp. Loads	1.5
Compressor HP	1/10
Refrigerant	R-290
# of Doors	1
Volume (cu. ft.)	6.1
Ext. Width Overall	27"
Ext. Depth Overall ²	30"
Ext. Height Overall	43"
# of Pans	(6) 1/6, (2) 1/9
# of Shelves - Std.	1
Shelf Size (L x D)	14 3/4" x 22"
Shipping Weight (lbs.)	188

Depth does not include 1" for rear bumper.
Height with the lid closed (includes castors).

